

MATING SURFACES TO BE FLAT WITHIN 0.010, TORQUE MOUNTING BOLTS STAGGERED & EVENLY TO APPROX. 225 FT-LBS

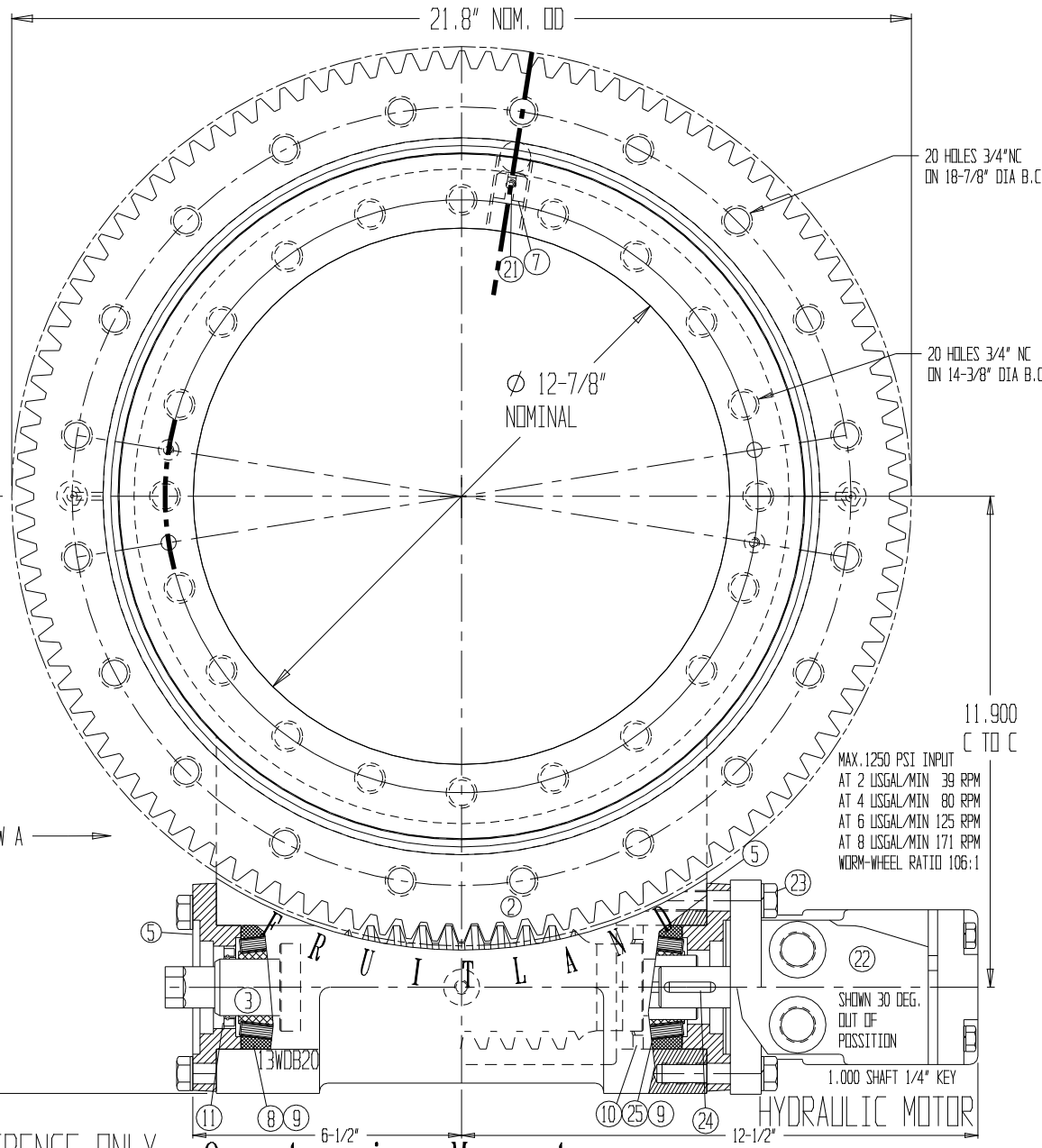
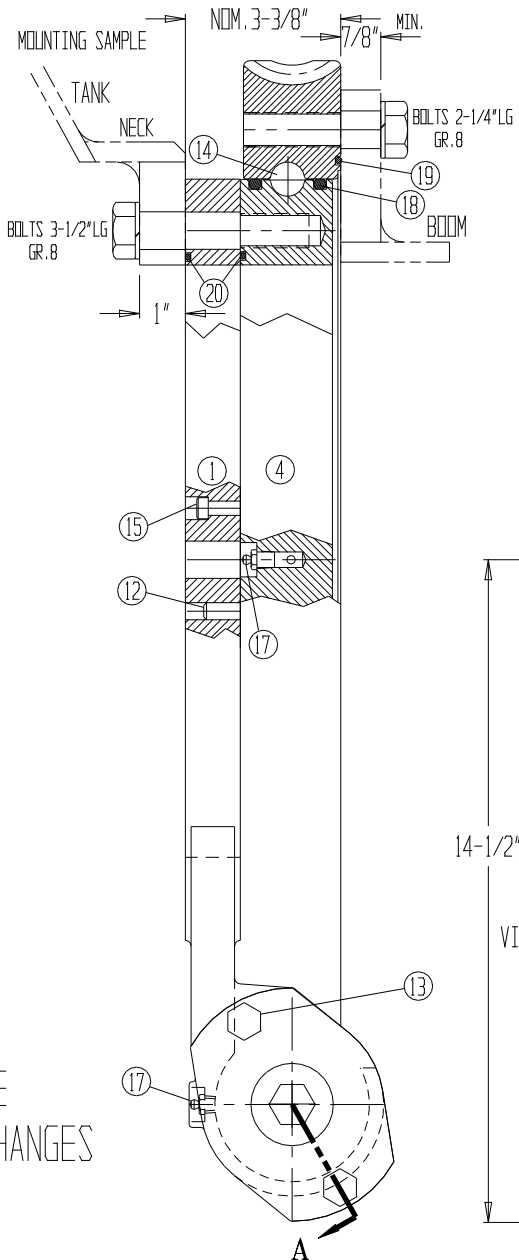
CUSTOMER FAX OUT SHEET

REVISIONS		DATE	APPROVED
REV.	DESCRIPTION		

Hardened Ball Grooves

- ITEM#
- 1 BASE
 - 2 WORM GEAR
 - 3 WORM
 - 4 INNER RING
 - 5 ENDPLATES
 - 7 BALL LOAD SCREW
 - 8 BEARING CONE
 - 9 BEARING CLIP
 - 10 OIL SEAL L.G.
 - 11 OIL SEAL S.M.
 - 12 DOWELS
 - 13 HEX BOLT Gr8
 - 14 BALLS
 - 15 S.H.C. SCREW
 - 16 SHIELD
 - 17 GREASE NIPPLES
 - 18 O-RING INNER
 - 19 O-RING TOP
 - 20 O-RING BOTTOMS
 - 21 SET SCREW
 - 22 HYDRAULIC MOTOR
 - 23 HEX BOLTS Gr8
 - 24 KEY
 - 25 BEARING CONE

FTM RESERVES THE RIGHT TO MAKE CHANGES WITHOUT NOTICE



MAX. 1250 PSI INPUT
 AT 2 USGAL/MIN 39 RPM
 AT 4 USGAL/MIN 80 RPM
 AT 6 USGAL/MIN 125 RPM
 AT 8 USGAL/MIN 171 RPM
 WORM-WHEEL RATIO 106:1

- LEVELS:
- 1 WORM & GEAR
 - 2 BASE
 - 3 NOTES & DIMENSIONS
 - 4 SIDE VIEW GEAR, BALLS & SEALS
 - 5 BORDER
 - 6 BOOM/TANK OUTLINE
 - 7 END PLATES
 - 8 HYDRAULIC MOTOR
 - 9 TANK-BOOM OUTLAY

PART #'S FOR REFERENCE ONLY

VIEW AT A

ASSY W/O HYDR. MOTOR : 13WDS (194 lbs)

ASSY C/W HYDR. MOTOR : 13WDSH (212 lbs)

Overturning Moment
 Max. Capacity 54.67 kNm
 (40,319 ft-lb)

FRUITLAND TOOL & MFG.		324 Lenox Ave. STONEY CREEK ONT. (905) 882-0532	
TITLE: 13" WORM DRIVE SEAL CUSTOMER COPY			
DATE: 11/25/03	BY: HANS	DWG.#: 13WDS CUST. COPY	REV.: 0
DATE: 11/25/03	BY: WALTER		
SHEET: 1 of 1	SCALE: FULL	CUSTOMER: FRUITLAND TOOL & MFG.	COMPUTER FILE: 13WDS.CUC