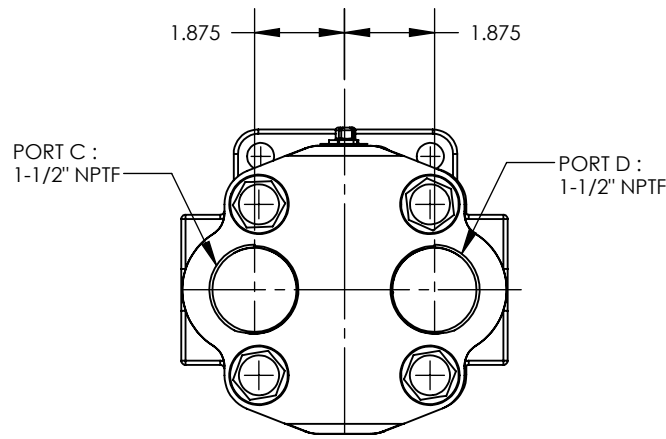
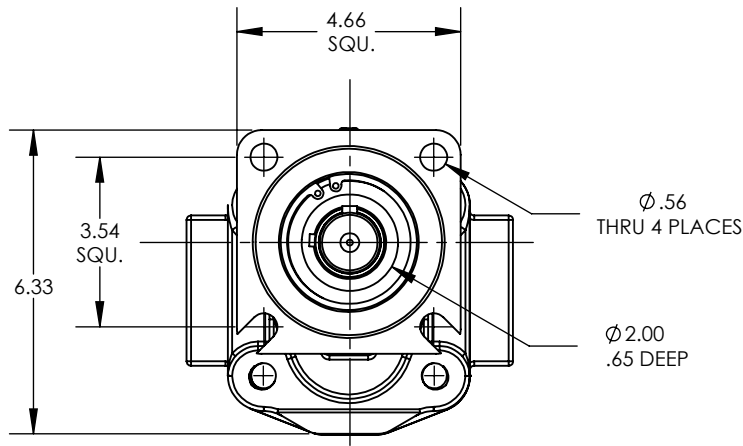


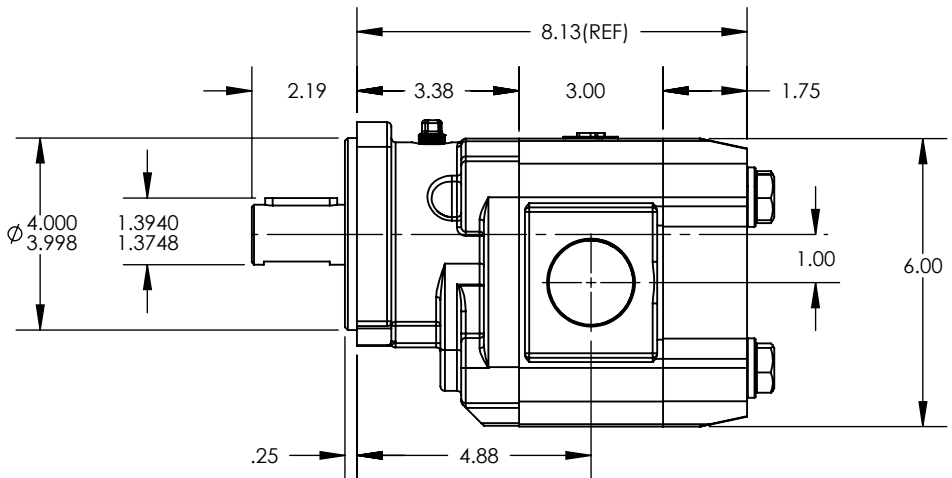
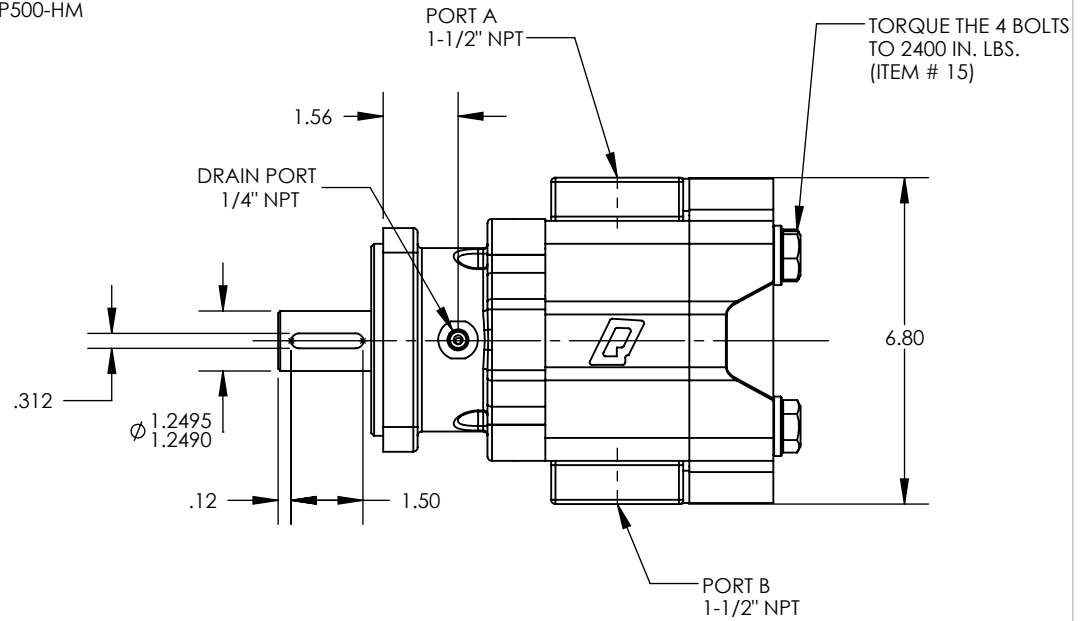
PART # P500-HM



VIEW A



SAE B- 4 BOLT



DRIVE SHAFT
KEY : 5/16" X 15/32" X 1-1/2"
ANSI B17.1

NAME	DATE	 324 Leaside Avenue Stoney Creek, Ontario, CANADA L8E 2N7 Phone: (905) 662-6552 Fax: (905) 662 9875
CREATED	S.B 12/07/12	
CHECKED	K.A 12/07/12	

TITLE:	500 HYDARULIC MOTOR	
DWG. NO.	P500-HM	REV 0
MATERIAL	--	SCALE: 1:4 WEIGHT:-- SHEET 1 OF 1

UNLESS OTHERWISE SPECIFIED:
DIMENSIONS ARE IN INCHES
TOLERANCES:
FRACTIONAL OR .X = ±.015
.XX = ±.010
.XXX = ±.005

PROPRIETARY AND CONFIDENTIAL
THE INFORMATION CONTAINED IN THIS DRAWING IS THE SOLE PROPERTY OF FRUITLAND MANUFACTURING. ANY REPRODUCTION IN PART OR AS A WHOLE WITHOUT THE WRITTEN PERMISSION OF FRUITLAND MFG. IS PROHIBITED.

Displ. (In. ³)	Theo. GPM @ 1000 RPM	Avg. GPM @ 1000 RPM	Max. RPM	Peak PSI
5.70	25.0	21.0	3000	3000

5

4

3

2

1