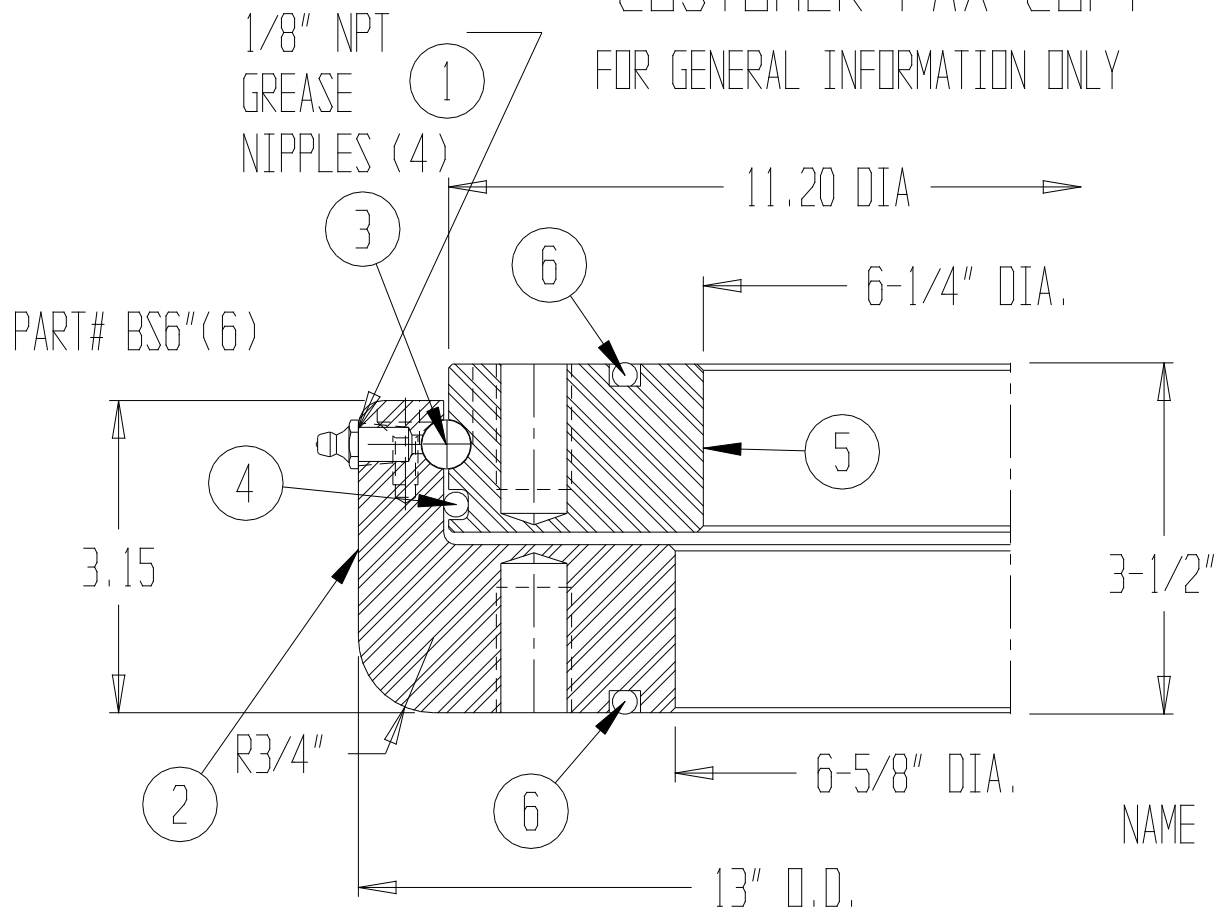


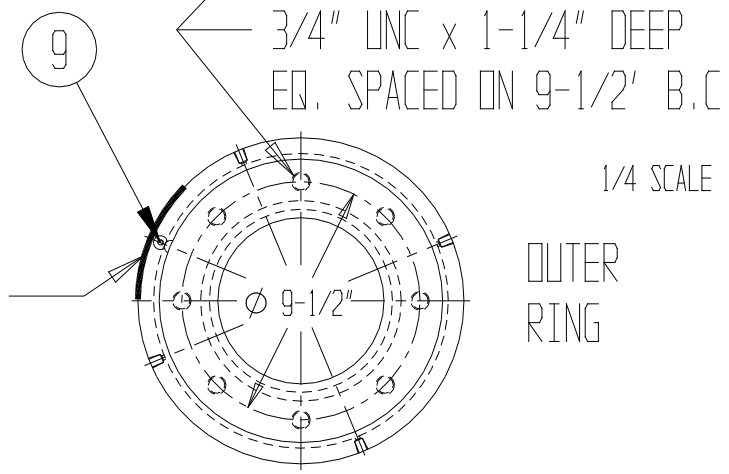
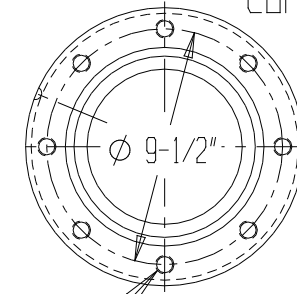
# CUSTOMER FAX COPY

FOR GENERAL INFORMATION ONLY



REVISIONS			
REV.	DESCRIPTION	DATE	APPROVED
1	CAPACITY CORRECTED	01/16/07	HANS

DESIGNED TO BE USED WITH 150# 6" SLIP-ON COMMERCIAL FLANGES



FTM RESERVES THE RIGHT TO MAKE CHANGES WITHOUT NOTICE

THIS DRAWING REPLACES DWG.# FTM 353A  
COMP.FILE# FTM353A.FTM  
NO PHYSICAL PART CHANGES

MAX. CAPACITY  
13.8 kNm or  
10178 LB-FT FORCE

-MAX. RACEWAY VELOCITY 50 Ft/Min.  
-HEAT TREATED RACEWAYS  
-USE 3/4" UNC x 2-1/4" LG. GRADE 8 HEX BOLTS AND LOCKWASHERS TYP. BOTH FLANGES  
-MAT'L: C-1045

### BILL OF MATERIALS

ITEM No.	DESCRIPTION	PART No.	QUANTITY
1	GREASE NIPPLE	BS8"-1	4
2	OUTER RING	BS6"(6)-2	1
3	BEARING BALLS	B 1/2"	70
4	O-RING BLINA N	BS6"-4	1
5	INNER RING	BS6"-5	1
6	O-RING BLINA N	BS6"-6	2
9	1/4" NC x 1/2" LG SOC.FL.HD. SCREW	BS8"-9	1

**FRUITLAND TOOL & MFG.** 324 Leaside Ave. STONEY CREEK ONT. (905) 662-6552

TITLE: 6" ROTATING SEAL (FOR 6" FLANGES)

DATE drawn: 08/14/00	by: JEFF	DWG.# 6(6).CLC	REV. 1
DATE checked: 01/16/07	by: HANS		
Sheet: 1 of 1	Scale: FULL & 1/4	Customer: FRUITLAND TOOL & MFG.	Computer File#: 6(6).CLC