

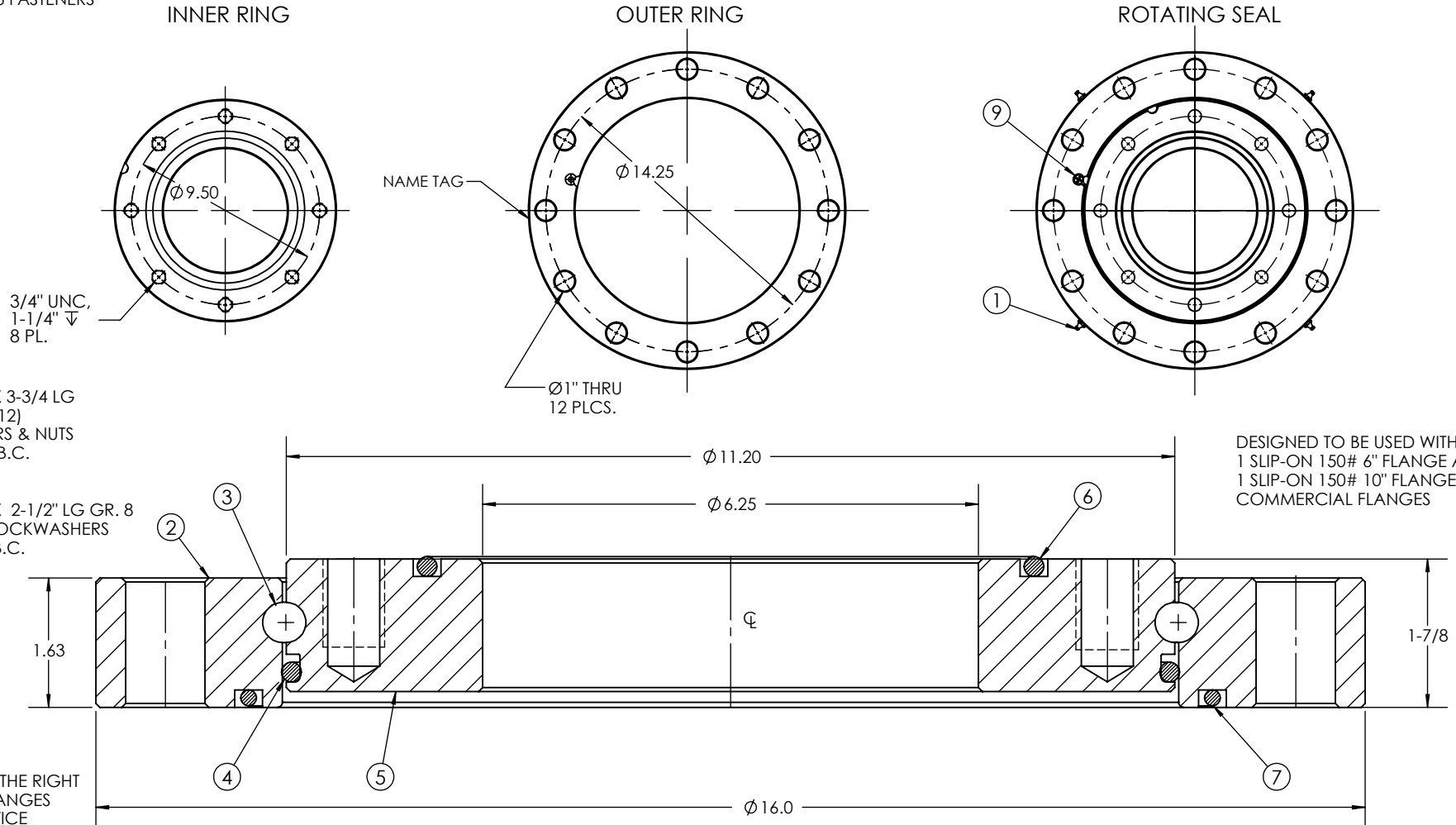
CAPACITY: 13.8 kNm  
10,178 LB-FT FORCE

-MAX. RACEWAY VELOCITY: 50 FT/MIN  
-HEAT TREATED RACEWAYS  
-USE GRADE 8 FASTENERS

**CUSTOMER COPY**  
FOR GENERAL INFORMATION ONLY

DCR#286

REVISIONS			
REV.	DESCRIPTION	DATE	APPROVED
1	CAPACITY CORRECTED	01/17/07	HANS



USE 7/8" NX X 3-3/4 LG  
GR. 8 BOLTS (12)  
LOCKWASHERS & NUTS  
ON Ø14-1/4" B.C.

USE 3/4" NX X 2-1/2" LG GR. 8  
BOLTS (8) & LOCKWASHERS  
ON Ø9-1/2" B.C.

DESIGNED TO BE USED WITH  
1 SLIP-ON 150# 6" FLANGE AND  
1 SLIP-ON 150# 10" FLANGE  
COMMERCIAL FLANGES


FM RESERVES THE RIGHT  
TO MAKE CHANGES  
WITHOUT NOTICE

ITEM#	DESCRIPTION	PART#	QTY.
1	GREASE NIPPLE 1/8" NPT	BS8"-1	4
2	OUTER RING (FOR 10" FLANGE)	BS6"(10)-2	1
3	BEARING BALL	B1/2"	70
4	O-RING BUNA N (0.250 ACT. DIA SECT.)	BS6"-4	1
5	INNER RING	BS6"-5	1
6	O-RING BUNA N (0.250 ACT. DIA SECT.)	BS6"-6	1
7	O-RING BUNA N (0.250 ACT. DIA SECT.)	BS6"-7	1
9	1/4" NC X 1/2" LG SOC.FL.HD.SCREW.	BS8"-9	1
27	EP.#2 LITHIUM GREASE	GREASE LITHIUM TUBE	LOAD

MAT'L: C-1045

**PART# BS6"(10)**

**PROPRIETARY AND CONFIDENTIAL**  
THE INFORMATION CONTAINED IN THIS  
DRAWING IS THE SOLE PROPERTY OF  
**FRUITLAND MANUFACTURING**. ANY  
REPRODUCTION IN PART OR AS A  
WHOLE WITHOUT THE WRITTEN  
PERMISSION OF FRUITLAND MFG. IS  
PROHIBITED.

NAME	DATE		324 Leaside Avenue Stoney Creek, Ontario, CANADA L8E 2N7 Phone: (905) 662-6552 Fax: (905) 662-5412	
CREATED	S.B. 11/13/12		TITLE:	6" ROTATING SEAL (10" FLANGE)
CHECKED	K.A. 11/15/12	DWG. NO.	6(10).CUC	REV 1
UNLESS OTHERWISE SPECIFIED: DIMENSIONS ARE IN INCHES TOLERANCES: FRACTIONAL OR .X = ±.015 .XX = ±.010 .XXX = ±.005		MATERIAL	--	SCALE: 1:8 & 1:3 WEIGHT:--

5

4

3

2

1