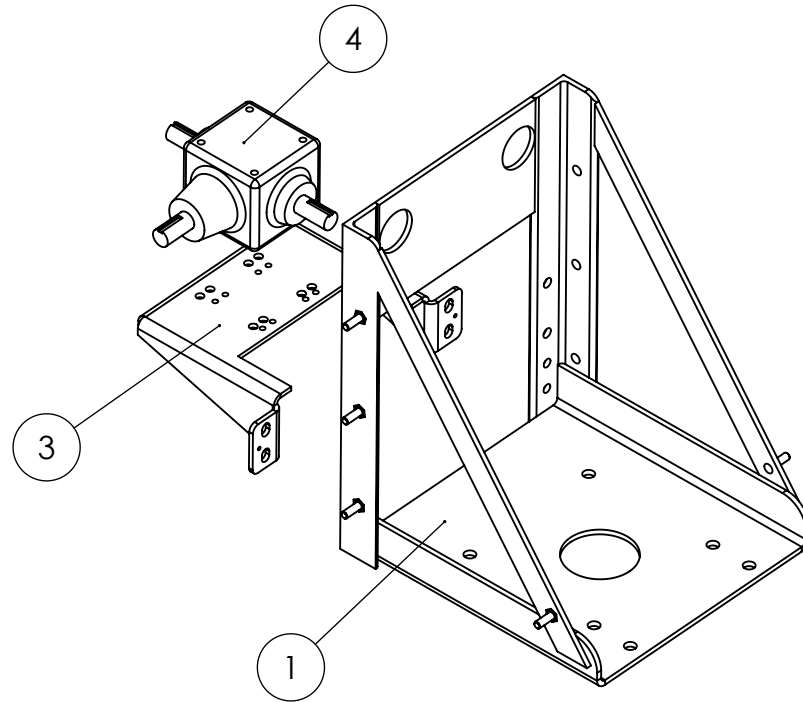


**PART # ELIM A**

ITEM #	PART #	DESCRIPTION	QTY
1	RF500-S	PEDESTAL FRAME	1
3	ADM09	ANGLE DRIVE MOUNT	1
4	RF500-GB400	RIGHT ANGLE GEAR BOX	1



**CUSTOMER COPY**

**NOTES:**

1. DRIVE COUPLINGS TO BE CUSTOMER SPECIFIED.
2. ALL FASTENERS TO BE SUPPLIED.

**PROPRIETARY AND CONFIDENTIAL**  
 THE INFORMATION CONTAINED IN THIS DRAWING IS THE SOLE PROPERTY OF **FRUITLAND TOOL AND MFG.** ANY REPRODUCTION IN PART OR AS A WHOLE WITHOUT THE WRITTEN PERMISSION OF FRUITLAND TOOL AND MFG. IS PROHIBITED.

	NAME	DATE	<b>FRUITLAND TOOL &amp; MFG.</b> 324 Leaside Ave., Stoney Creek Ontario, CANADA Phone: (905) 662-6552 Fax: (905) 662 9875		
DRAWN	K.A.	06-19-09			
CHECKED	W.D.	06-19-09			
UNLESS OTHERWISE SPECIFIED: DIMENSIONS ARE IN INCHES TOLERANCES: FRACTIONAL OR .X = ±.015 .XX = ±.010 .XXX = ±.005			TITLE: ELIMINATOR A PACKAGE		
MATERIAL			--	DWG. NO. <b>ELIM A</b>	REV <b>1</b>
SCALE: 1:12			WEIGHT:--		

REV 1 DCR# 368