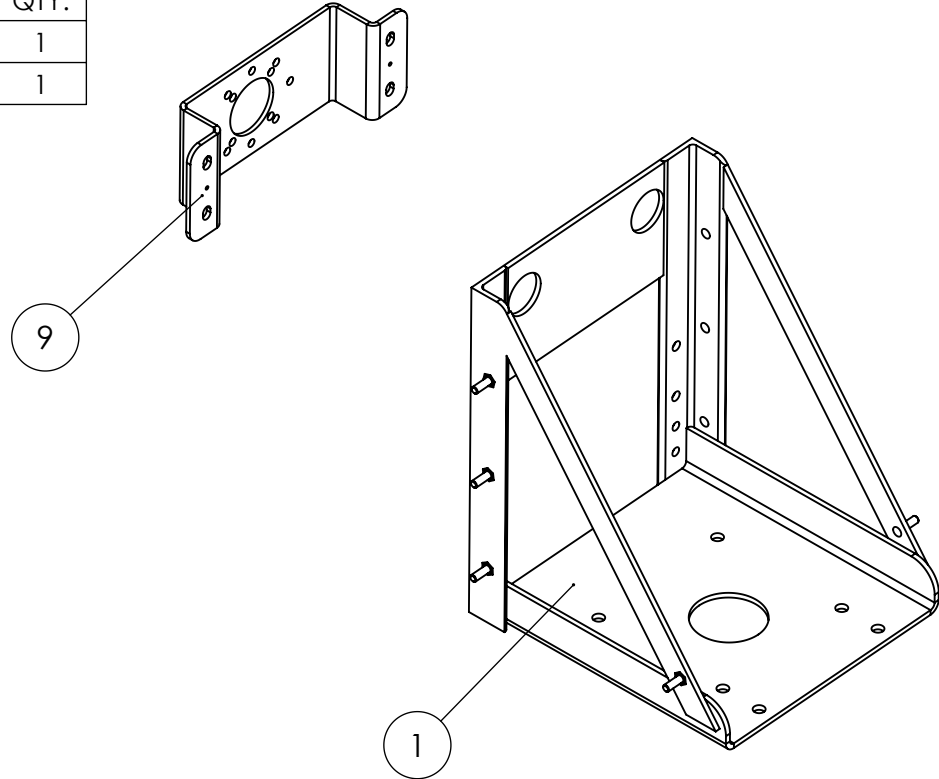


PART # ELIM H

| ITEM # | PART # | DESCRIPTION | QTY. |
|--------|---------|-----------------------|------|
| 1 | RF500-S | PEDESTAL FRAME | 1 |
| 9 | HDM09 | HYDRAULIC MOTOR MOUNT | 1 |



CUSTOMER COPY

NOTES:

1. DRIVE COUPLINGS TO BE CUSTOMER SPECIFIED.
2. ALL FASTENERS TO BE SUPPLIED.

PROPRIETARY AND CONFIDENTIAL
 THE INFORMATION CONTAINED IN THIS DRAWING IS THE SOLE PROPERTY OF **FRUITLAND TOOL AND MFG.** ANY REPRODUCTION IN PART OR AS A WHOLE WITHOUT THE WRITTEN PERMISSION OF FRUITLAND TOOL AND MFG. IS PROHIBITED.

| | | | | |
|---|------|----------|---|------------------------|
| | NAME | DATE | FRUITLAND TOOL & MFG. 324 Leaside Ave., Stoney Creek Ontario, CANADA Phone: (905) 662-6552 Fax: (905) 662 9875 | |
| DRAWN | K.A. | 06-19-09 | | |
| CHECKED | W.D. | 06-19-09 | | |
| UNLESS OTHERWISE SPECIFIED: DIMENSIONS ARE IN INCHES TOLERANCES: FRACTIONAL OR .X = ±.015 .XX = ±.010 .XXX = ±.005 | | | TITLE: ELIMINATOR H PACKAGE | |
| MATERIAL | | | -- | DWG. NO. ELIM H |
| | | | | SCALE: 1:12 WEIGHT:-- |
| | | | | REV 1 |