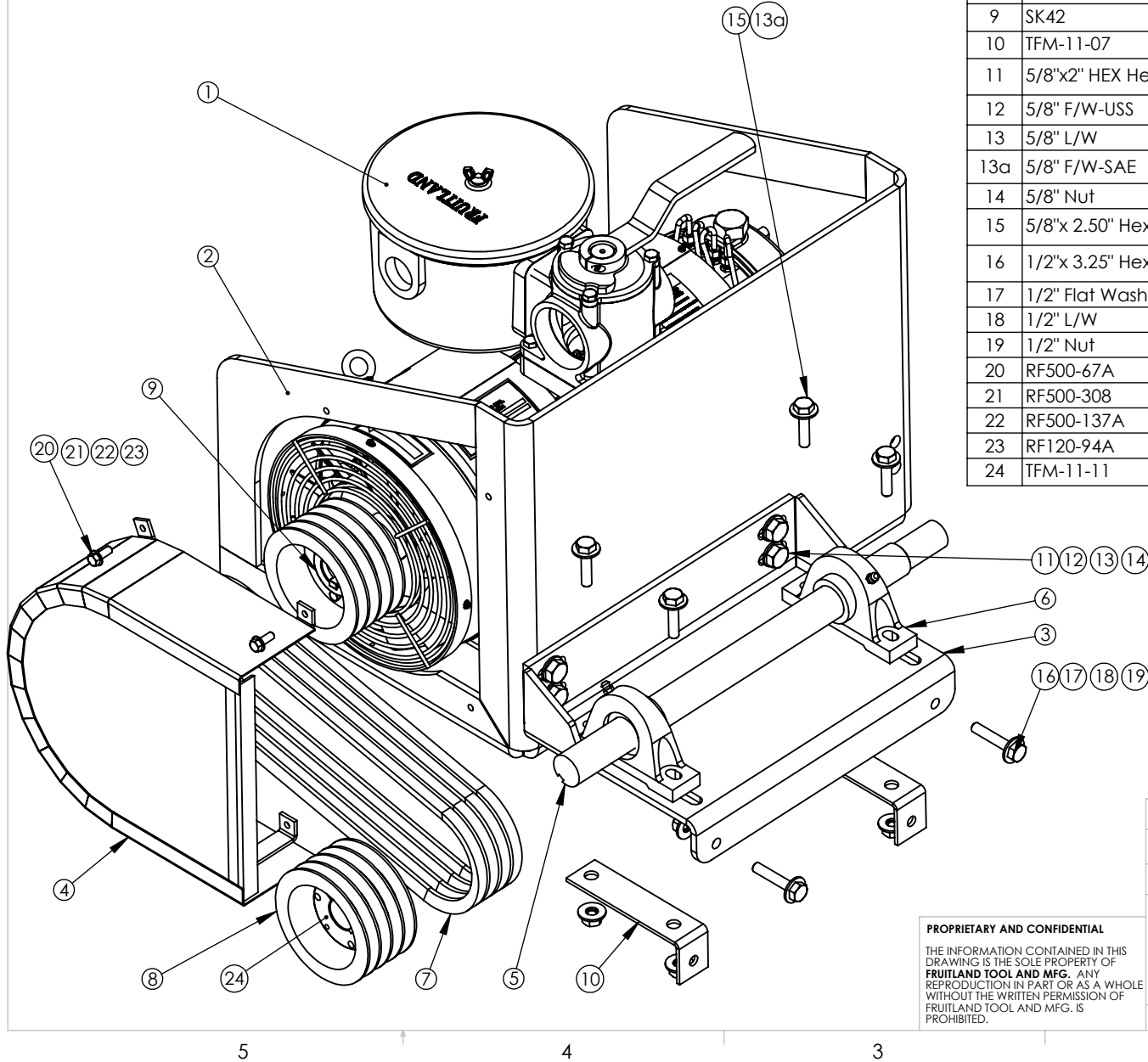


# Eliminator SB

## Side Mount Belt Drive Assembly For RCF 500 Pump.

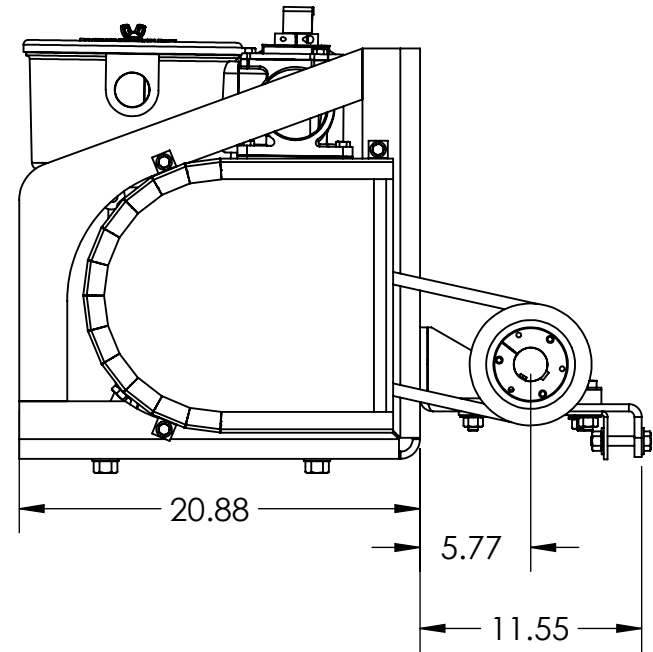
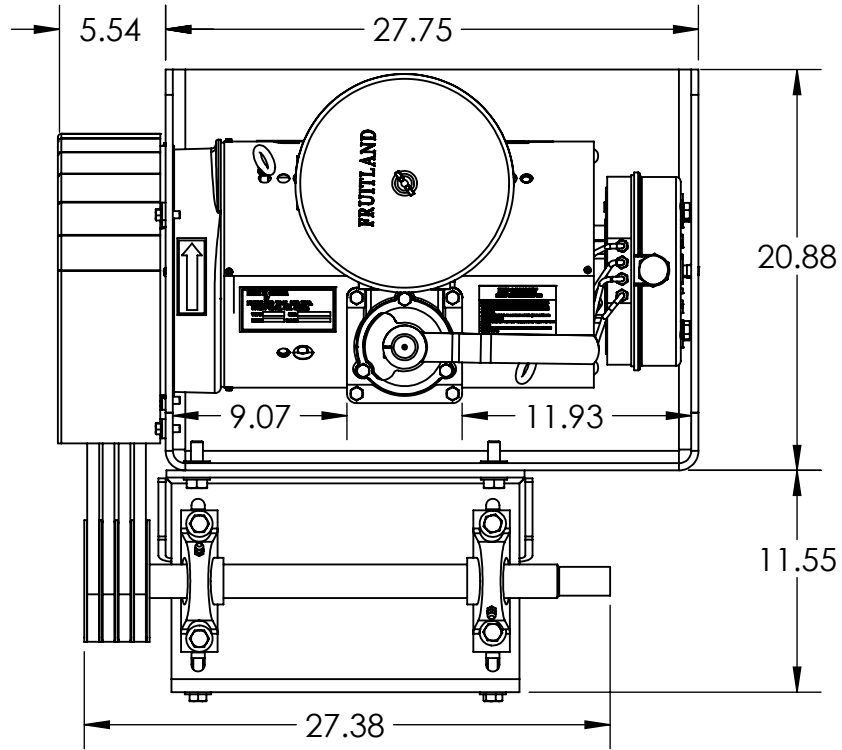
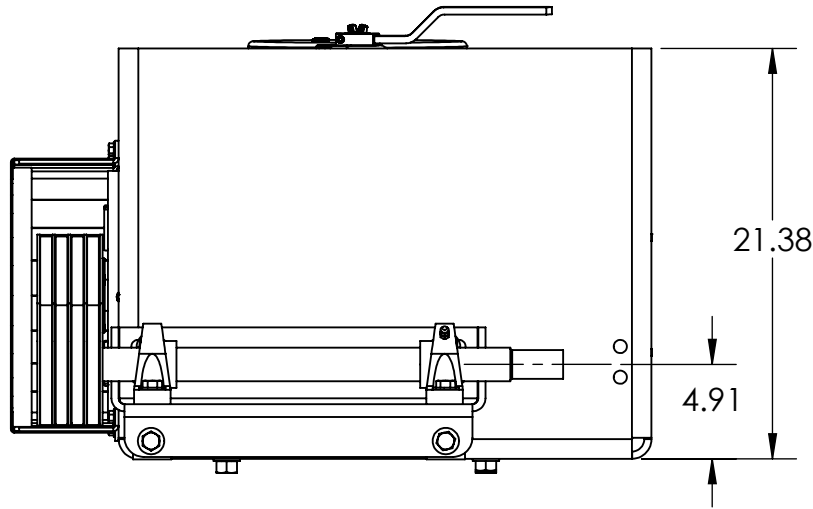


#	Part Number	Description	Qty.	Price
1	500-LUF	Vacuum Pump	1	
2	SFM-11-01	Side Frame Mount Base	1	
3	SFM-11-02	Side Mount Shaft Bracket	1	
4	SFM-11-BG	Top Mount Belt Guard	1	
5	TFM-11-08	Jack Shaft, Ø 3/4", 3/8" keyway	1	
6	TFM-11-A1	1 3/4" Pillow Block Bearings	2	
7	SFM-11-A2	B51 (or BX51) V Belt	4	
8	RF-500-38	4 Groove, 6" Sheave	2	
9	SK42	Taper Bushing 42mm	1	
10	TFM-11-07	Shaft Adjustment Bracket	2	
11	5/8"x2" HEX Head	5/8" NC 2" Long Zinc Plated Hex Head Bolts	8	
12	5/8" F/W-USS	5/8" Zinc Plated Flat Washer, Large	16	
13	5/8" L/W	5/8" Lockwasher	12	
13a	5/8" F/W-SAE	5/8" Zinc Plated Flat Washer, Small	4	
14	5/8" Nut	5/8" Zinc Plated NC Hex Nuts	12	
15	5/8"x 2.50" Hex Head	5/8" NC 2.50" Long Zinc Plated Hex Head Bolts	4	
16	1/2"x 3.25" Hex Head	1/2" NC 3.25" Long Zinc Plated Hex Head Bolts	2	
17	1/2" Flat Washer	1/2" Zinc Plated Flat Washer	16	
18	1/2" L/W	1/2" Lockwasher	6	
19	1/2" Nut	1/2" Zinc Plated NC Hex Nuts	6	
20	RF500-67A	10mm Hex Head Bolt 10x1.5x30	4	
21	RF500-308	10mm Plain Washer	8	
22	RF500-137A	10mm Hex Nut	4	
23	RF120-94A	10mm Lock Washer	4	
24	TFM-11-11	1-3/4"Ø SK Bushing with 3/8" key	1	

### Part # SFM-11

NAME		DATE	<b>FRUITLAND TOOL &amp; MFG.</b>	
DRAWN	K.A.	8/25/2011	324 Leaside Ave., Stoney Creek Ontario, CANADA Phone: (905) 662-6552 Fax: (905) 662 9875	
CHECKED			TITLE: Side Mount Frame Assem	
UNLESS OTHERWISE SPECIFIED: DIMENSIONS ARE IN INCHES TOLERANCES: FRACTIONAL OR .X = ±.015 .XX = ±.010 .XXX = ±.005			DWG. NO. SFM-11-BOM	REV 0
MATERIAL	--		SCALE: 1:8	WEIGHT:-- SHEET 1 OF 2

**PROPRIETARY AND CONFIDENTIAL**  
THE INFORMATION CONTAINED IN THIS DRAWING IS THE SOLE PROPERTY OF FRUITLAND TOOL AND MFG. ANY REPRODUCTION IN PART OR AS A WHOLE WITHOUT THE WRITTEN PERMISSION OF FRUITLAND TOOL AND MFG. IS PROHIBITED.



**PROPRIETARY AND CONFIDENTIAL**  
 THE INFORMATION CONTAINED IN THIS DRAWING IS THE SOLE PROPERTY OF **FRUITLAND TOOL AND MFG.** ANY REPRODUCTION IN PART OR AS A WHOLE WITHOUT THE WRITTEN PERMISSION OF **FRUITLAND TOOL AND MFG.** IS PROHIBITED.

	NAME	DATE	<b>FRUITLAND TOOL &amp; MFG.</b> 324 Leaside Ave., Stoney Creek Ontario, CANADA Phone: (905) 662-6552 Fax: (905) 662 9875	
DRAWN	K.A.	8/25/2011	TITLE: Side Mount Frame Assem	
CHECKED			DWG. NO. SFM-11-DIM	REV 0
UNLESS OTHERWISE SPECIFIED: DIMENSIONS ARE IN INCHES TOLERANCES: FRACTIONAL OR .X = ±.015 .XX = ±.010 .XXX = ±.005			SCALE: 1:10	WEIGHT:--
MATERIAL	--		SHEET 2 OF 2	