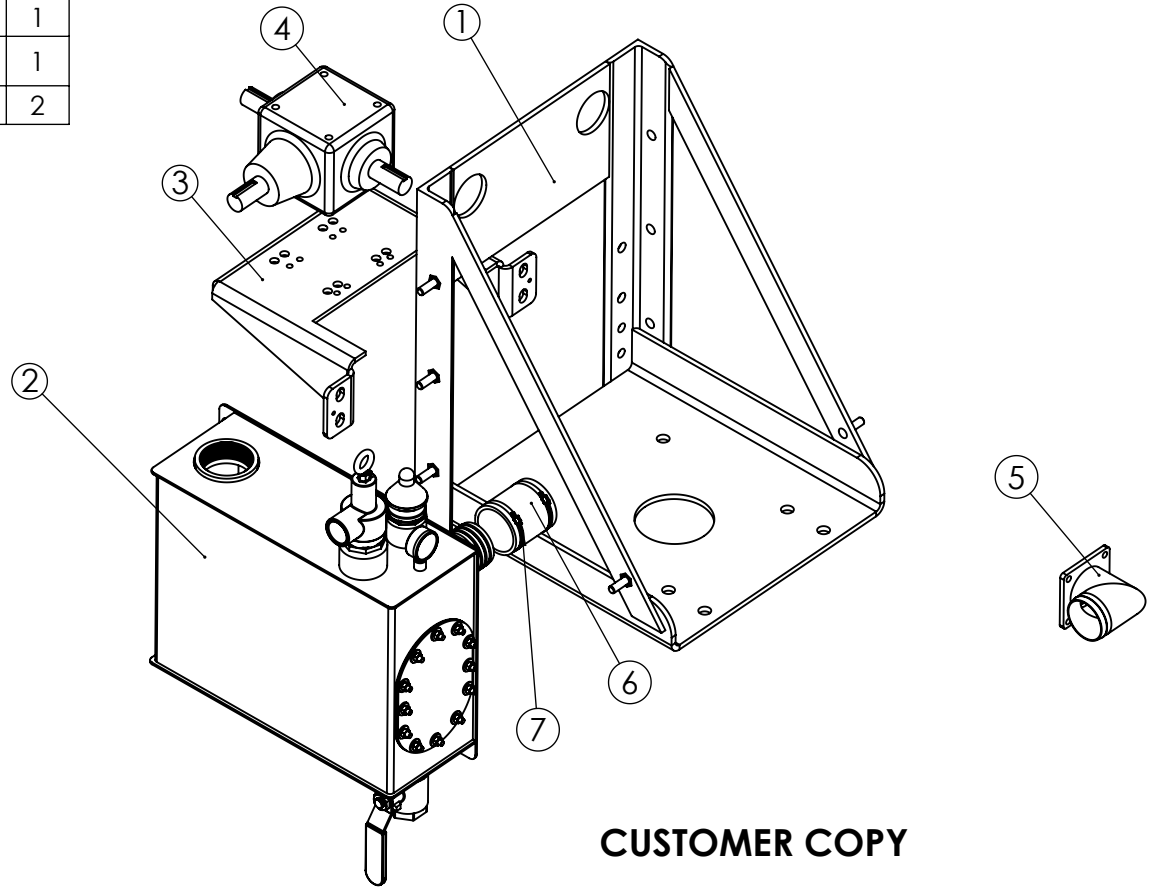


ITEM #	PART #	DESCRIPTION	QTY
1	RF500-S	PEDESTAL FRAME	1
2	RF500-S091C	SECONDARY SHUT-OFF	1
3	ADM09	ANGLE DRIVE MOUNT	1
4	RF500-GB400	RIGHT ANGLE GEAR BOX	1
5	FAS09	FLANGE SECONDARY SHUT-OFF SIDE	1
6	FAS09-03	Ø 3" RUBBER HOSE FOR SECONDARY SIDE	1
7	FAM09-04	HOSE CLAMP W2-91-97	2



**PART # ELIM A-S**

**CUSTOMER COPY**

**NOTES:**

1. DRIVE COUPLINGS TO BE CUSTOMER SPECIFIED.
2. ALL FASTENERS TO BE SUPPLIED.

REV 1 DCR# 368  
REV 2 DCR# 410, 5/02/11 KA

**PROPRIETARY AND CONFIDENTIAL**  
THE INFORMATION CONTAINED IN THIS DRAWING IS THE SOLE PROPERTY OF **FRUITLAND TOOL AND MFG.** ANY REPRODUCTION IN PART OR AS A WHOLE WITHOUT THE WRITTEN PERMISSION OF FRUITLAND TOOL AND MFG. IS PROHIBITED.

	NAME	DATE	<b>FRUITLAND TOOL &amp; MFG.</b>	
DRAWN	K.A.	06-19-09	324 Leaside Ave., Stoney Creek Ontario, CANADA	
CHECKED	W.D.	06-19-09	Phone: (905) 662-6552 Fax: (905) 662 9875	
UNLESS OTHERWISE SPECIFIED: DIMENSIONS ARE IN INCHES TOLERANCES: FRACTIONAL OR .X = ±.015 .XX = ±.010 .XXX = ±.005			TITLE: ELIMINATOR A PACKAGE	
MATERIAL --			DWG. NO. ELIM A-S	REV 2
SCALE: 1:12			WEIGHT:--	

5

4

3

2

1