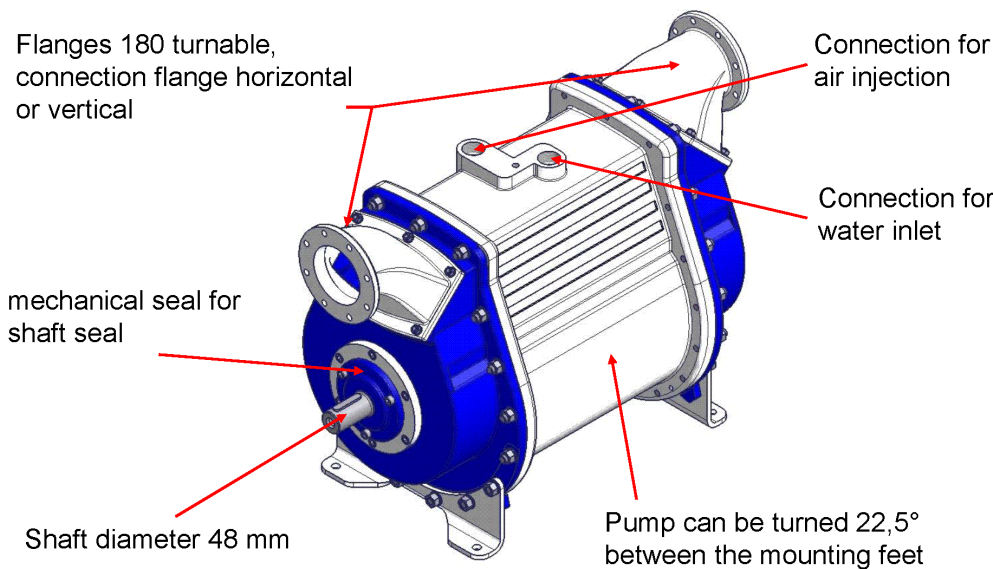




Fruitland Liquid Ring Vacuum Pump

WR 4000

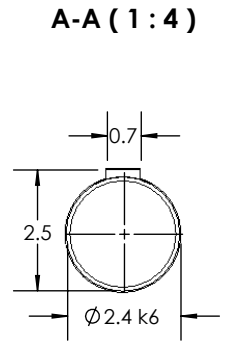
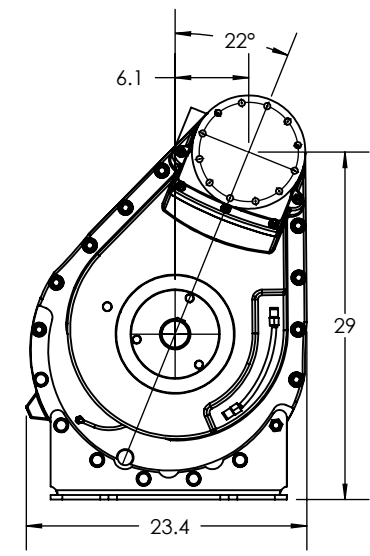
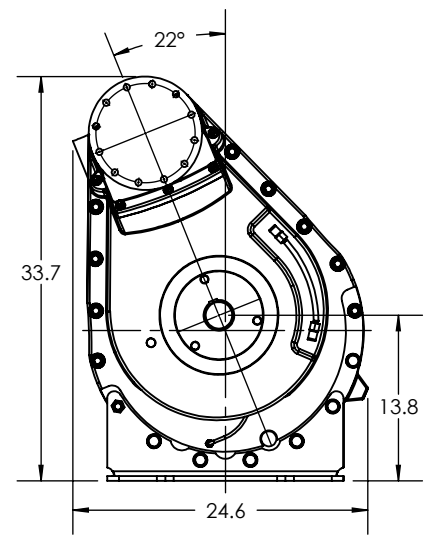
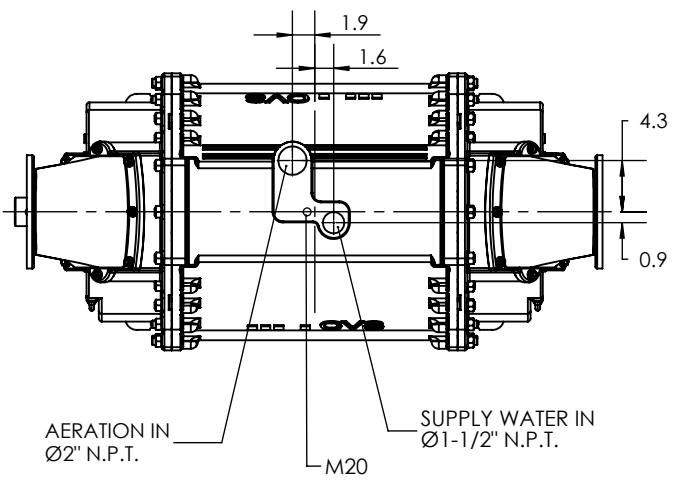
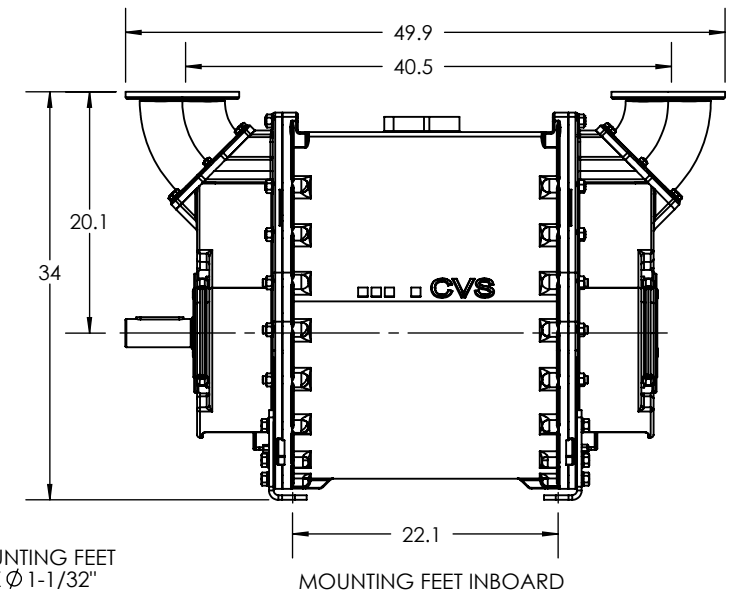
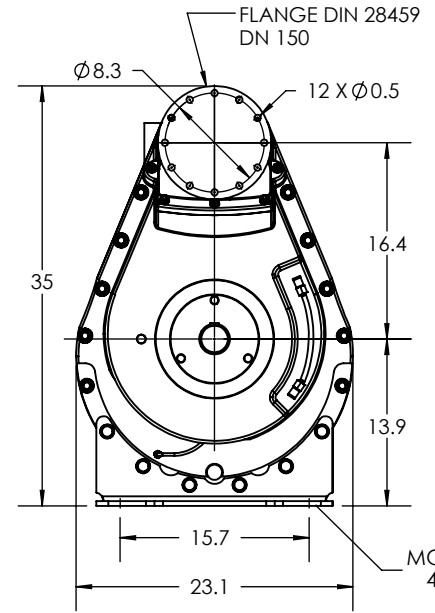
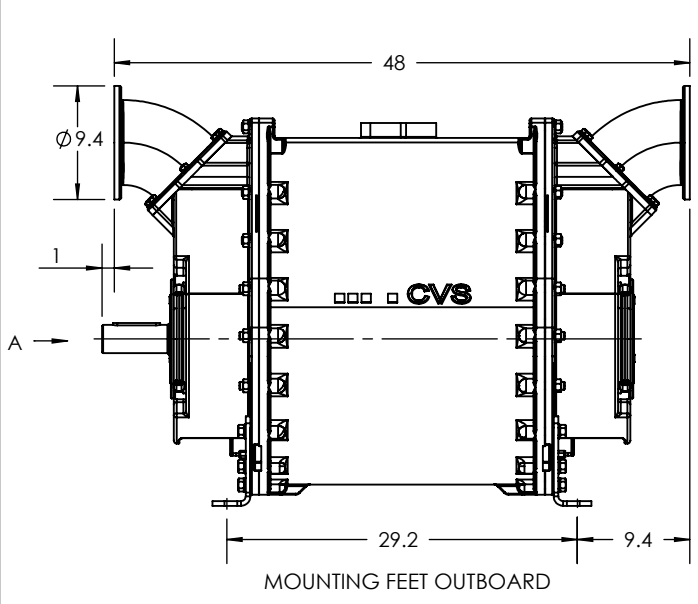
- Easy to Install
- Strong Durable Components
- Low Power Requirement
- Large Volume Flow Range
- Low Weight Anodized Aluminum Design



VacuStar WR 4000


Max. Volume Flow	m ³ h/ cfm	4065/2393
Max. Operating Pressure	bar g/ psig	1.0/14.5
Max. Operating Vacuum*	mbar/ HG"	100/27
Speed Range	rpm	800-1300
Max. Power Requirement at 0.5 bar g/7.25	kW/ hp	131.5/176
Sound Pressure Level in 7m distance at 400mbar/18 HG"	dB(A)	73
Weight	Kg/lb	298/657

*Depending on cooling water temperature



VacuStar WR 4000

PROPRIETARY AND CONFIDENTIAL
THE INFORMATION CONTAINED IN THIS DRAWING IS THE SOLE PROPERTY OF FRUITLAND MANUFACTURING. ANY REPRODUCTION IN PART OR AS A WHOLE WITHOUT THE WRITTEN PERMISSION OF FRUITLAND MFG. IS PROHIBITED.

	NAME	DATE	 324 Leaside Avenue Stoney Creek, Ontario, CANADA L8E 2N7 Phone: (905) 662-6552 Fax: (905) 662-5412
CREATED	S.P.	3/13/2013	
CHECKED	K.A.	3/14/2013	
TITLE: VacuStar WR4000			
UNLESS OTHERWISE SPECIFIED: DIMENSIONS ARE IN INCHES TOLERANCES: FRACTIONAL OR .X = ±.015 .XX = ±.010 .XXX = ±.005			DWG. NO. WR - 4000
MATERIAL	--	SCALE: 1:16	WEIGHT:--
			SHEET 1 OF 1