

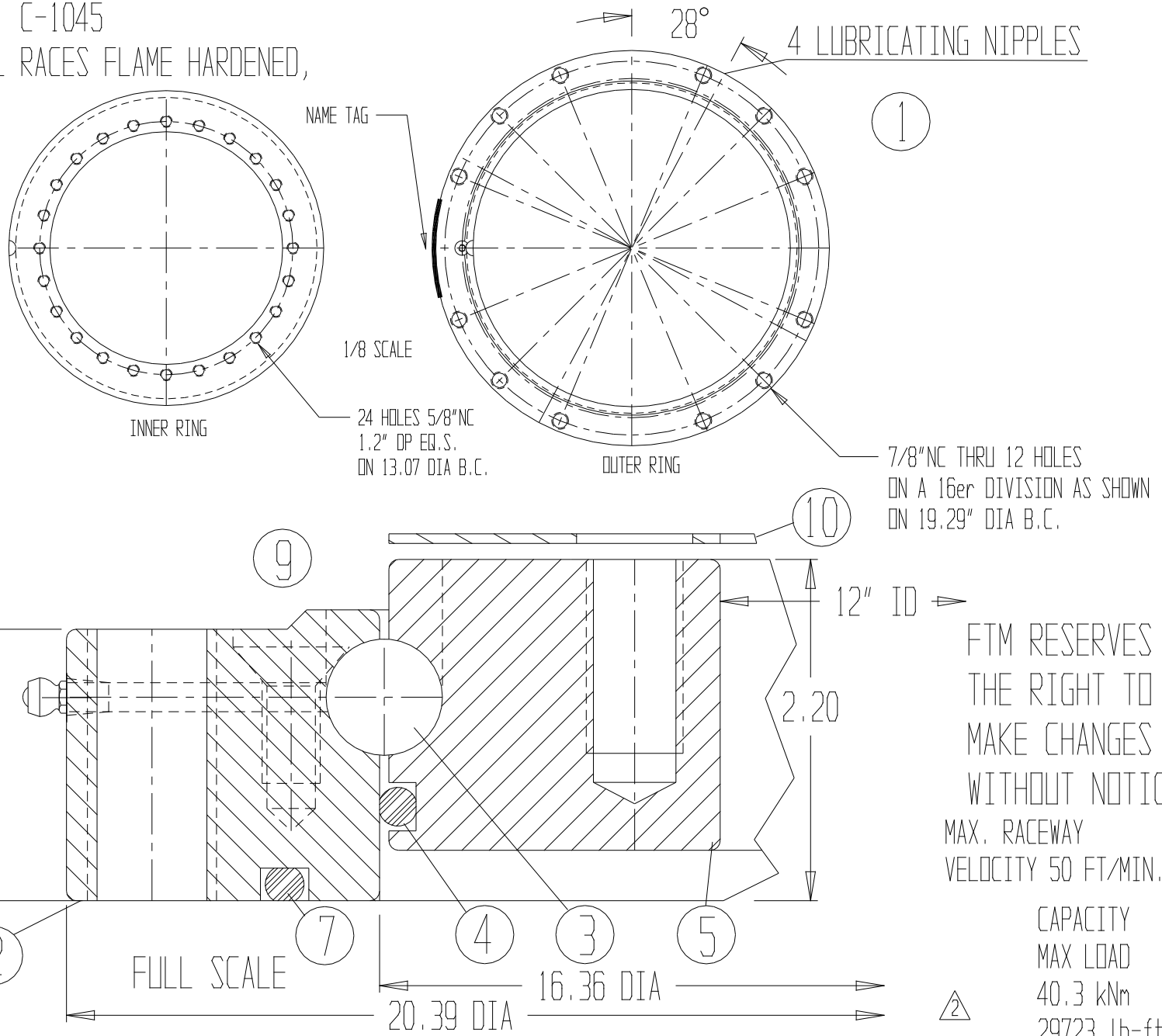
R E V I S I O N S

REV.	DESCRIPTION	DATE	APPROVED
DCR#267 DCR#289	1 Item 3 Bearing Balls Qty 68 was 64	Nov.23/05	Walter
	2 CAPACITY CORRECTED	JAN.17/07	HANS

FOR GENERAL INFORMATION ONLY

MAT. C-1045

BALL RACES FLAME HARDENED,



FTM RESERVES
THE RIGHT TO
MAKE CHANGES
WITHOUT NOTIC
MAX. RACEWAY
VELOCITY 50 FT/MIN.

CAPACITY
MAX LOAD
40.3 kNm
29723 lb-ft
LEVELS 1,2,3 & 5

FOR FASTENERS USE GRADE 8 BOLTS OR BETTER

ITEM#	DESCRIPTION	PART #	QTY
1	GREASE NIPPLE 1/8" NPT	BS8"-1	4
2	OUTER RING	BS12"-2	1
3	BEARING BALLS (CHROMED ALLOY STEEL)	B 3/4"	68
4	"O"RING BJNA N	BS12"-4	1
5	INNER RING (SEE DWG.# 12IR.RSB)	BS12"-5	1
7	BOTTOM "O"RING	BS12"-7	1
9	3/8" NC X 5/8" LG SOC.FL.HD.SCREW	BS17"-9	1
10	GASKET (1/16" TH.) DWG.12IDGAS	12IDGAS	1

ASSEMBLY
PART# BS12"

FRUITLAND TOOL & MFG.

324 Leaside Ave.
STONE CREEK ONT.
(905) 662-6552

TITLE: 12" ROTATING SEAL

DATE drawn: 02/16/00	by: HANS	DWG.# 12.CUC	REV. 2
DATE checked: 01/17/07	by: WALTER		
Sheet: 1 of 1	Scale: FULL & 1/8	Customer: FRUITLAND TOOL & MFG.	Computer File#: 12.CUC