

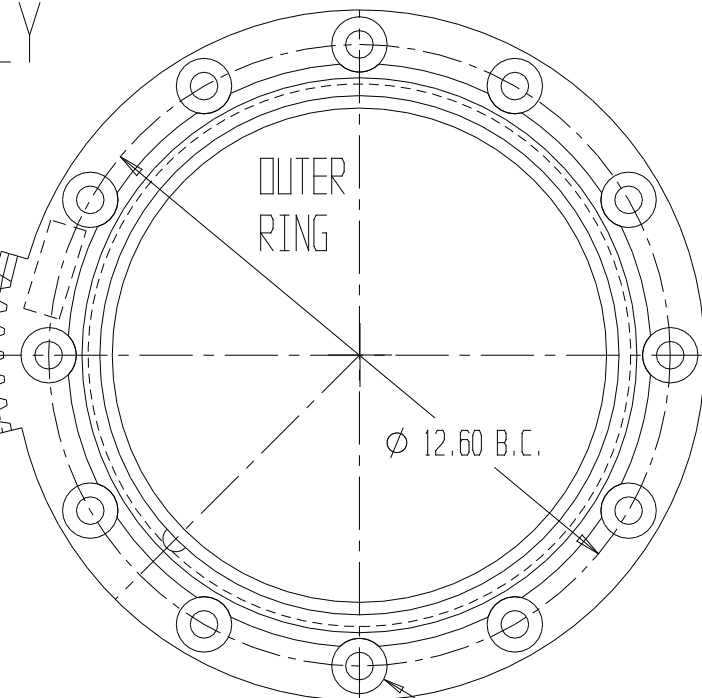
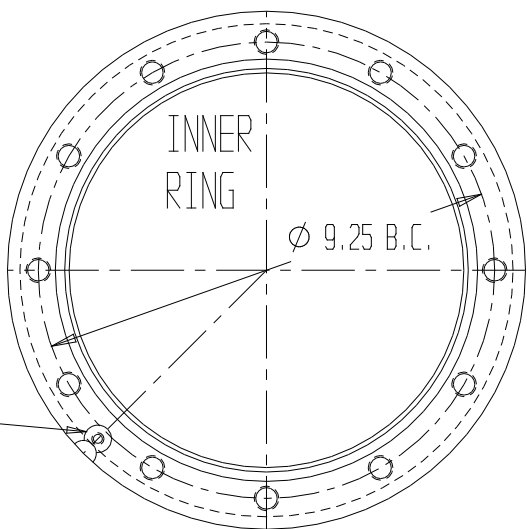
FTM RESERVES THE RIGHT TO MAKE CHANGES WITHOUT NOTICE

DCR.# 277

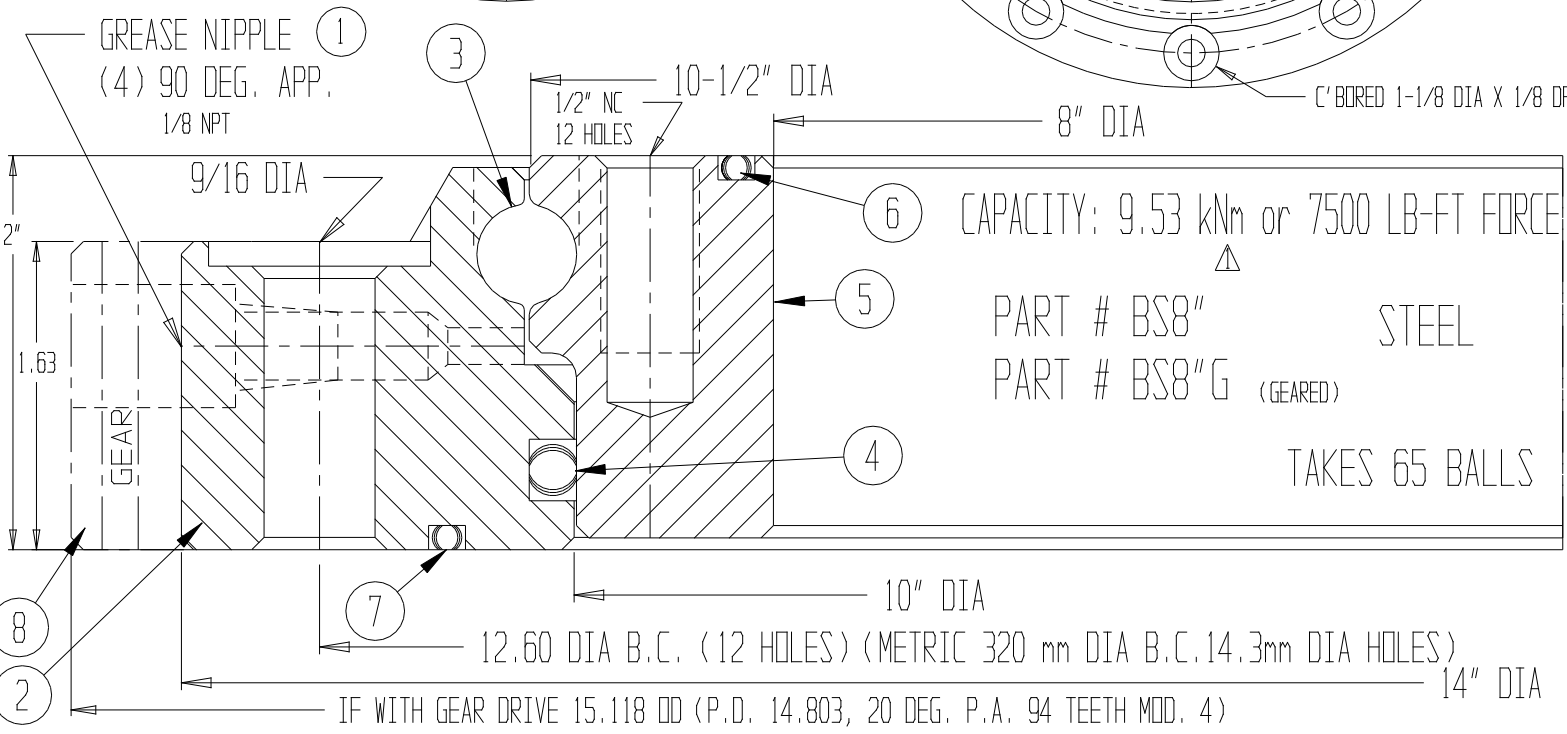
REVISIONS

REV.	DESCRIPTION	DATE	APPROVED
1	corrected Capacity was 7.3 kNm	05/09/06	Hans

FOR GENERAL INFORMATION ONLY



94 TEETH MOD. 4 20 DEG. P.A.



CAPACITY: 9.53 kNm or 7500 LB-FT FORCE
 PART # BS8" STEEL
 PART # BS8"G (GEARED)
 TAKES 65 BALLS

ITEM#	DESCRIPTION	PART #	QTY
1	GREASE NIPPLE 1/8" NPT	BS8"-1	4
2	OUTER RING	BS8"-2	1
3	BEARING BALLS	B 1/2"	65
4	"O"RING BUINA N (.250 ACT. DIA SECT.)	BS8"-4	1
5	INNER RING	BS8"-5	1
6	TOP "O"RING (.139 ACT. DIA SECT.)	BS8"-6	1
7	BOTTOM "O"RING (.139 ACT. DIA SECT.)	BS8"-7	1
8	GEARED OUTER RING (OPTIONAL)	BS8"G-2	1
9	1/4" NC X 1/2" LG SOC. FL. HD. SCREW	BS8"-9	1

USE
 GRADE 8
 FASTENERS

REDRAWN/CHANGED FROM
 FTM-367.FTM ON NOV.03/98

FRUITLAND TOOL & MFG. 324 Leaside Ave. STONEY CREEK ONT. (905) 662-6552

TITLE: 8" & 8" GEAR ROTATING SEAL

DATE drawn: 11/03/98	by: HANS	DWG.#	REV.:
DATE checked: 05/09/06	by: WALTER	8&8G.CUC	1
Sheet: 1 of 1	Scale: FULL & 1/4	Customer: FRUITLAND TOOL & MFG.	Computer File#: 8&8G.CUC