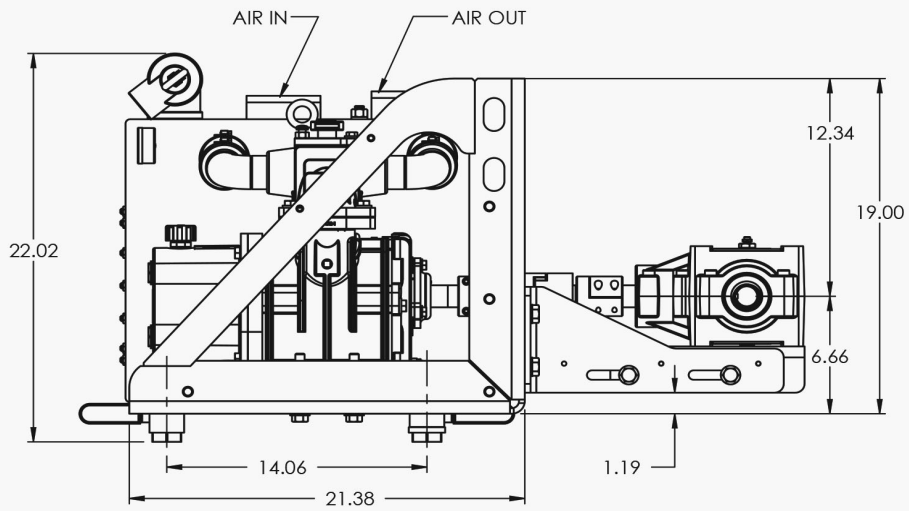
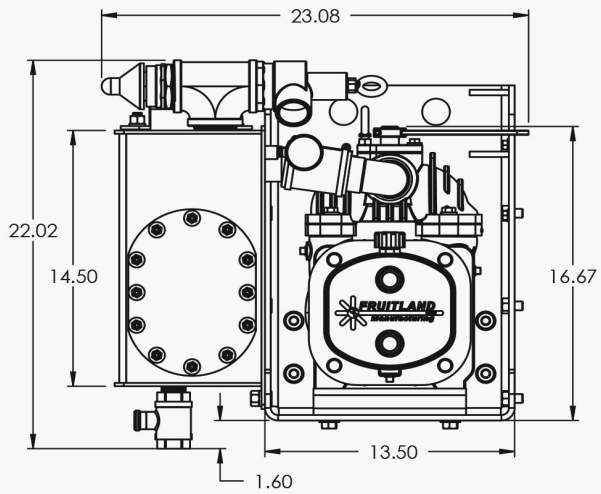
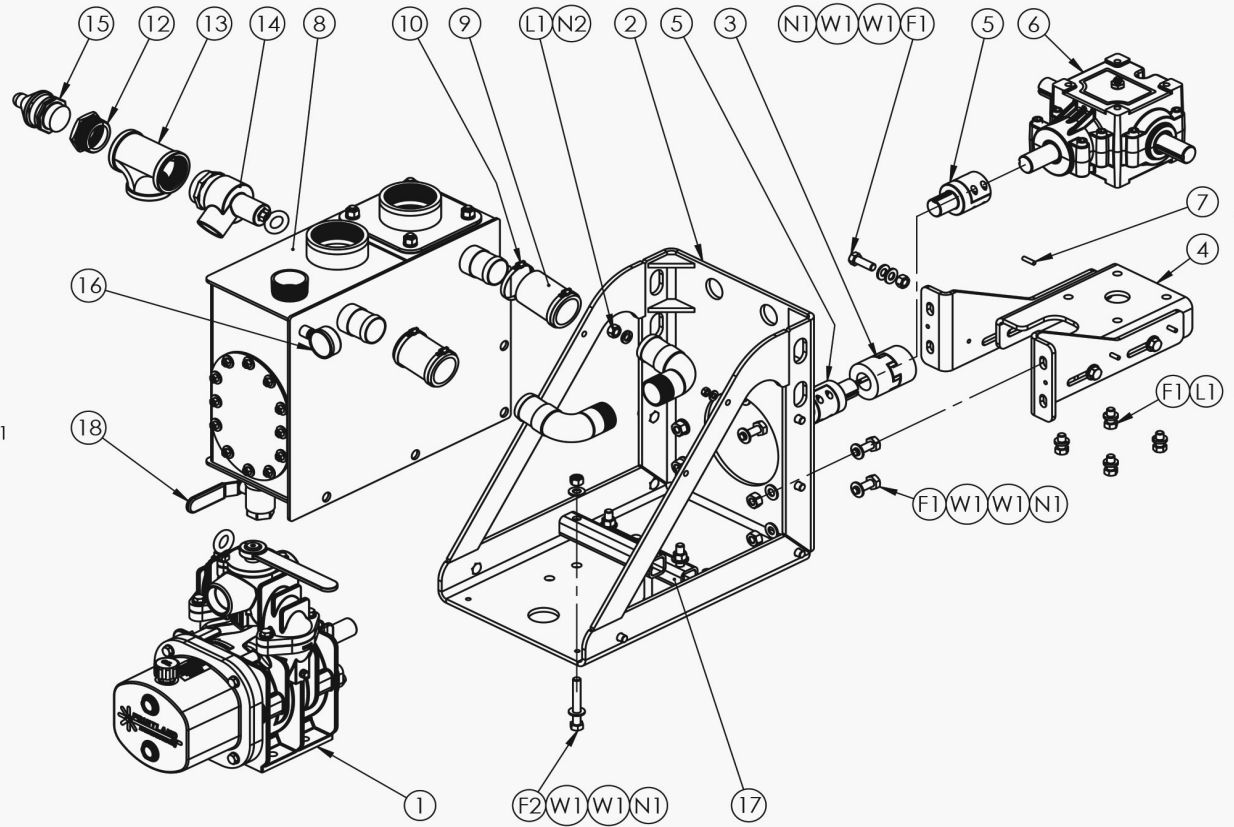
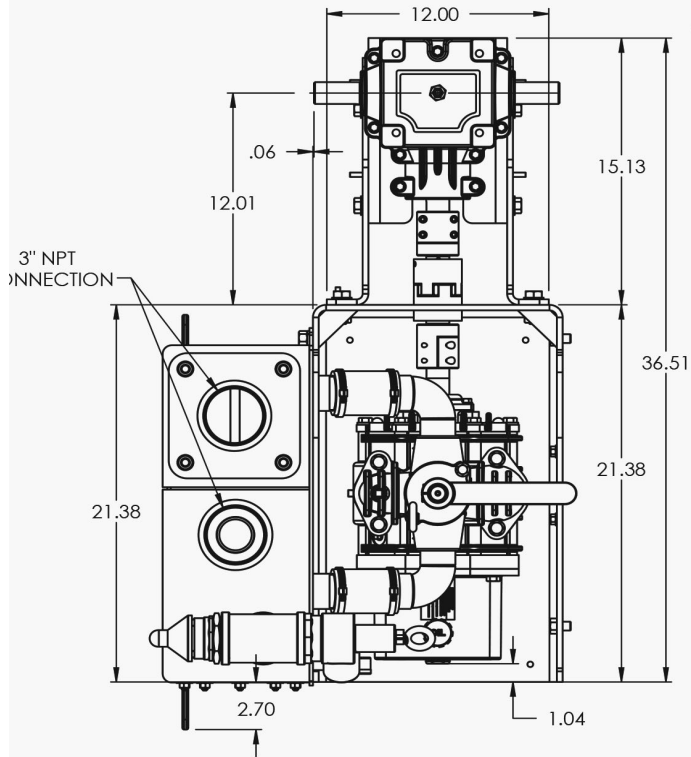


3" NPT CONNECTION



DWG IS FOR REFERENCE ONLY  
WE RESERVE THE RIGHTS TO  
MAKE CHANGES

REF. DWG# ELIM A-SMF172RL

