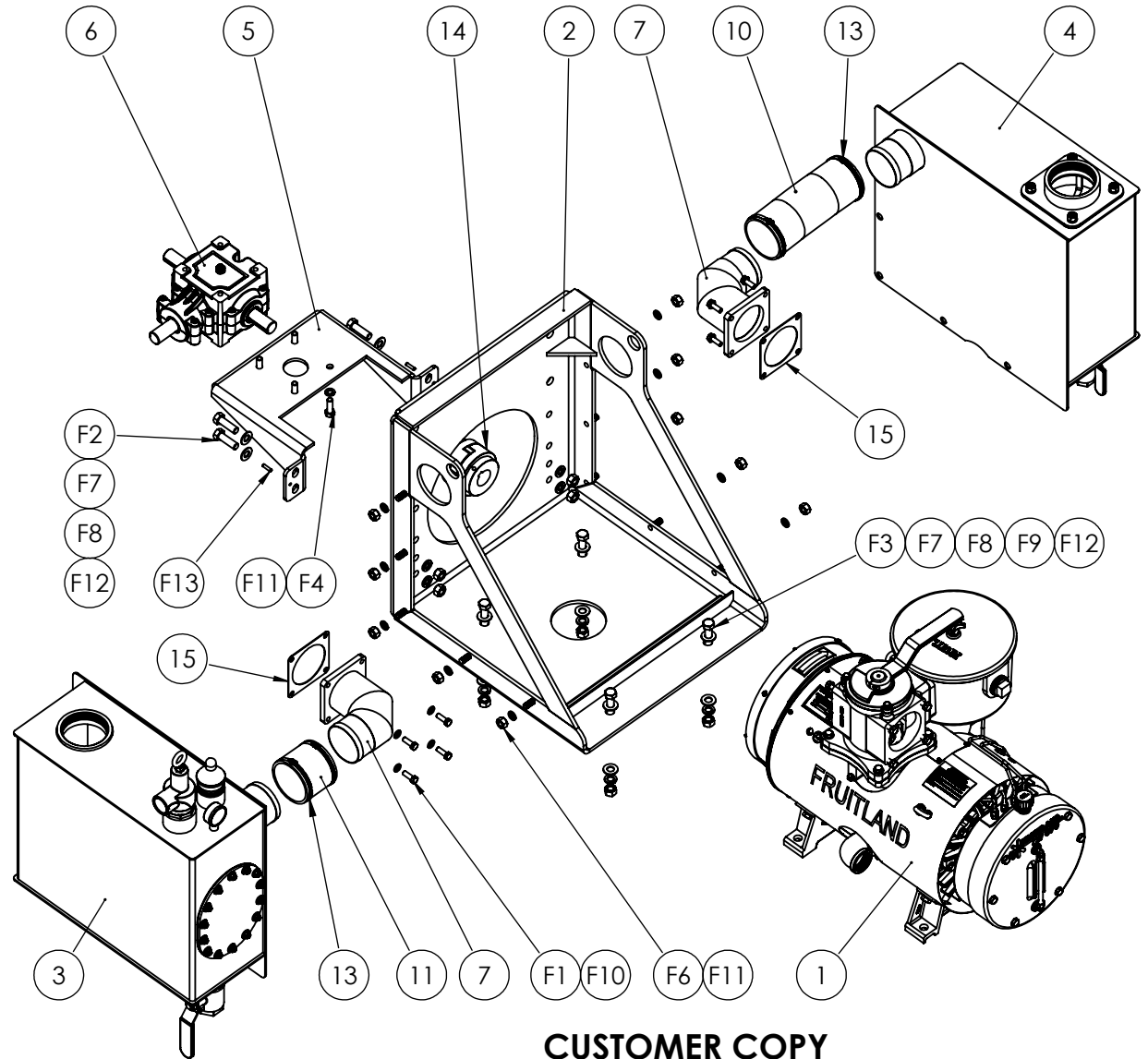


ITEM #	PART #	DESCRIPTION	QTY.
1	870LUF	Vacumm Pump	1
2	RF870-SC	Pedestal Frame	1
3	RF870-S14	Secondary Shut-Off	1
4	RF870-M14	Muffler	1
5	ADM14	Angle Drive Mount	1
6	RF500-GB400	Right Angle Gear Box	1
7	F14	ELIM 870 4" Flange	2
10	4" Rubber Hose Muf	Ø4" Rubber Hose	12"
11	4" Rubber Hose Sec	Ø4" Rubber Hose For Secondary	4 3/8"
13	Maxi-Clamp	Maxi-Clamp	4
14		Customer To Specify Coupling Size	1
15	RF870-65	Diverter Gasket for RCF 870	2
Hex Bolts			
F1	RF500-67A	10mm Hex Head Bolt 10x1.5x30	8
F2	5/8"X2" HEX HEAD	5/8" NC 2" Long Zinc Plated Hex Head Bolts	4
F3	5/8"X2-1/4" HEX HEAD	5/8" NC 2.25" Long Zinc Plated Hex Head Bolts	4
F4	1/2 X 1-1/2	1/2" NC X 1.5" LG Zinc Plated Hex Bolt	4
Hex Nuts			
F5	RF500-137A	10mm Hex Nut	8
F6	1/2" NUT	1/2" Zinc Plated NC Hex Nuts	10
F7	5/8" NUT	5/8" Zinc Plated NC Hex Nuts	8
Flat Washers			
F8	5/8" F/W-SAE	5/8" Zinc Plated Flat Washer, Small	8
F9	5/8" F/W-USS	5/8" Zinc Plated Flat Washer, Large	4
Lock Washers			
F10	RF120-94A	10mm Lock Washer	8
F11	1/2" L/W	1/2" Lock Washer	14
F12	5/8" L/W	5/8" Lock Washer	8
Spring Pins			
F13	1/4" X 1" LG SPLIT PIN	1/4" x 1" LG Split Pin	2




PART # ELIM-A-SM870LUF

NOTES:
ALL FASTENERS TO BE SUPPLIED.

WEIGHT AS SHOWN: 980 LBS

PROPRIETARY AND CONFIDENTIAL
THE INFORMATION CONTAINED IN THIS DRAWING IS THE SOLE PROPERTY OF FRUITLAND MANUFACTURING. ANY REPRODUCTION IN PART OR AS A WHOLE WITHOUT THE WRITTEN PERMISSION OF FRUITLAND MFG. IS PROHIBITED.

CUSTOMER COPY

NAME	DATE		324 Leaside Avenue Stoney Creek, Ontario, CANADA L8E 2N7 Phone: (905) 662-6552 Fax: (905) 662 9875	
CREATED	Z.D.		26/03/15	
CHECKED	K.A.	26/03/15		
UNLESS OTHERWISE SPECIFIED: DIMENSIONS ARE IN INCHES TOLERANCES: FRACTIONAL OR .X = ±.015 .XX = ±.010 .XXX = ±.005			TITLE: ELIM A-SM870LUF BOM	
MATERIAL			DWG. NO. ELIM-A-SM 870LUF	
			REV 0	