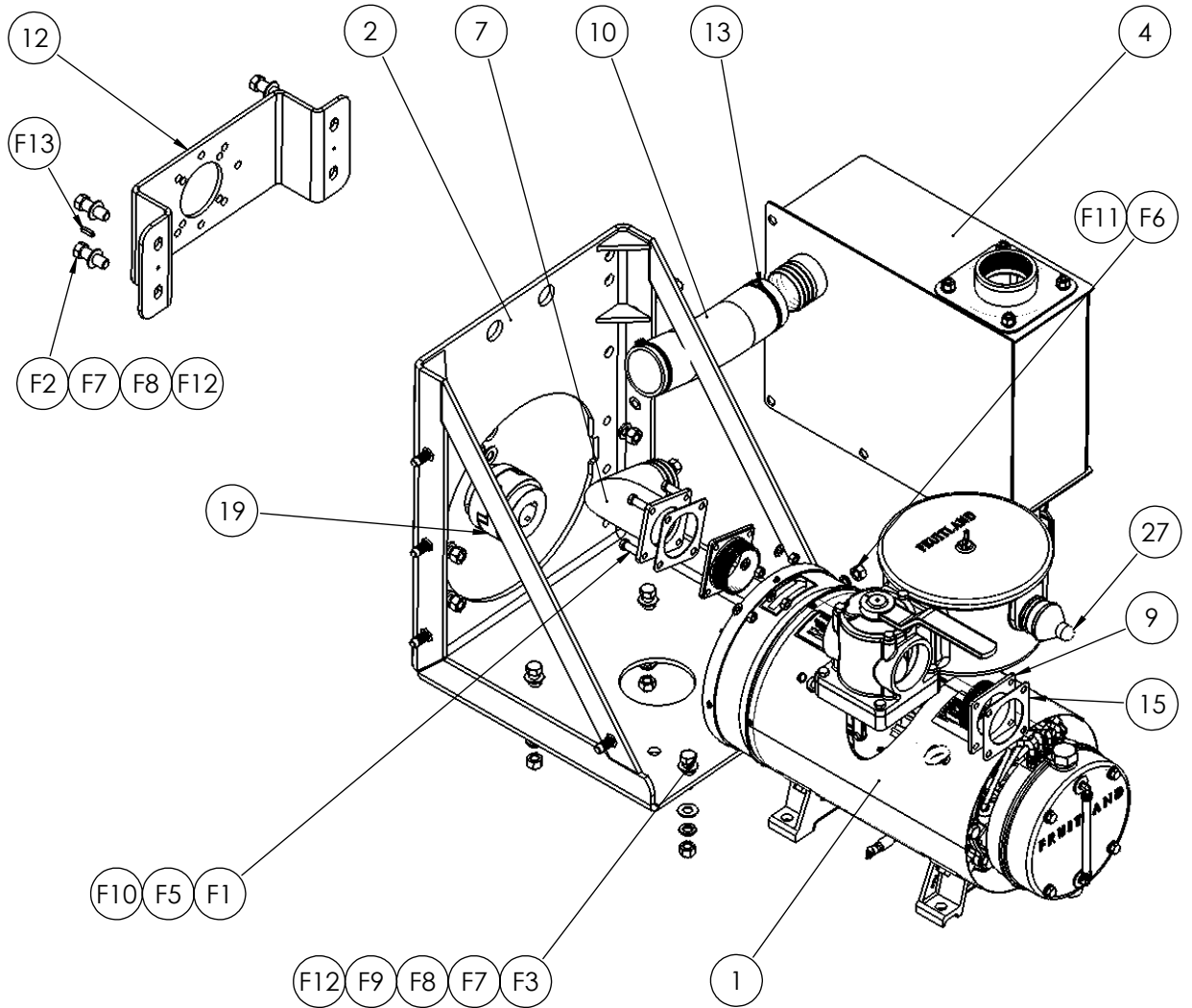


ITEM #	PART #	DESCRIPTION	QTY.
1	500LUF	Vacumm Pump	1
2	RF500-SC	Pedestal Frame	1
4	RF500-M09C	Muffler	1
7	FAM09C	FlangeMuffler Side	1
9	FA-3NPT-M	3" NPT Flange For Diverter	2
10	FAM09-03	Ø3" Rubber Hose	1
12	HDM09C	Hyrdraulic Motor Mount	1
13	FAM09-04	Super Clamp SCS 86-91	2
15	RF500-57	Pump Flange Gasket	2
19		Customer To Specify Coupling Size	1
27	VB	Vacuum Relief Valve 1-1/2" NPT	1
Hex Bolts			
F1	RF500-67A	10mm Hex Head Bolt 10x1.5x30	4
F2	5/8"X2" HEX HEAD	5/8" NC 2" Long Zinc Plated Hex Head Bolts	4
F3	5/8"X2-1/4" HEX HEAD	5/8" NC 2.25" Long Zinc Plated Hex Head Bolts	4
Hex Nuts			
F5	RF500-137A	10mm Hex Nut	4
F6	1/2" NUT	1/2" Zinc Plated NC Hex Nuts	4
F7	5/8" NUT	5/8" Zinc Plated NC Hex Nuts	8
Flat Washers			
F8	5/8" F/W-SAE	5/8" Zinc Plated Flat Washer, Small	8
F9	5/8" F/W-USS	5/8" Zinc Plated Flat Washer, Large	4
Lock Washers			
F10	RF120-94A	10mm Lock Washer	4
F11	1/2" L/W	1/2" Lock Washer	4
F12	5/8" L/W	5/8" Lock Washer	8
Spring Pins			
F13	1/4" X 1" LG SPLIT PIN	1/4" x 1" LG Split Pin	2



PART # ELIM H-M500LUF

NOTES:

1. DRIVE COUPLINGS TO BE CUSTOMER SPECIFIED.
2. ALL FASTENERS TO BE SUPPLIED.

WEIGHT AS SHOWN: 686 LBS

CUSTOMER COPY

	NAME	DATE	324 Leaside Avenue Stoney Creek, Ontario, CANADA L8E 2N7 Phone: (905) 662-6552 Fax: (905) 662 9875	
CREATED	S.B.	28/01/13		
CHECKED	W.D.	22/02/13	TITLE:	
UNLESS OTHERWISE SPECIFIED: DIMENSIONS ARE IN INCHES TOLERANCES: FRACTIONAL OR .X = ±.015 .XX = ±.010 .XXX = ±.005			ELIMINATOR H-M PACKAGE	
MATERIAL			DWG. NO.	REV
			ELIM H-M500LUF	0

PROPRIETARY AND CONFIDENTIAL
THE INFORMATION CONTAINED IN THIS DRAWING IS THE SOLE PROPERTY OF FRUITLAND MANUFACTURING. ANY REPRODUCTION IN PART OR AS A WHOLE WITHOUT THE WRITTEN PERMISSION OF FRUITLAND MFG. IS PROHIBITED.