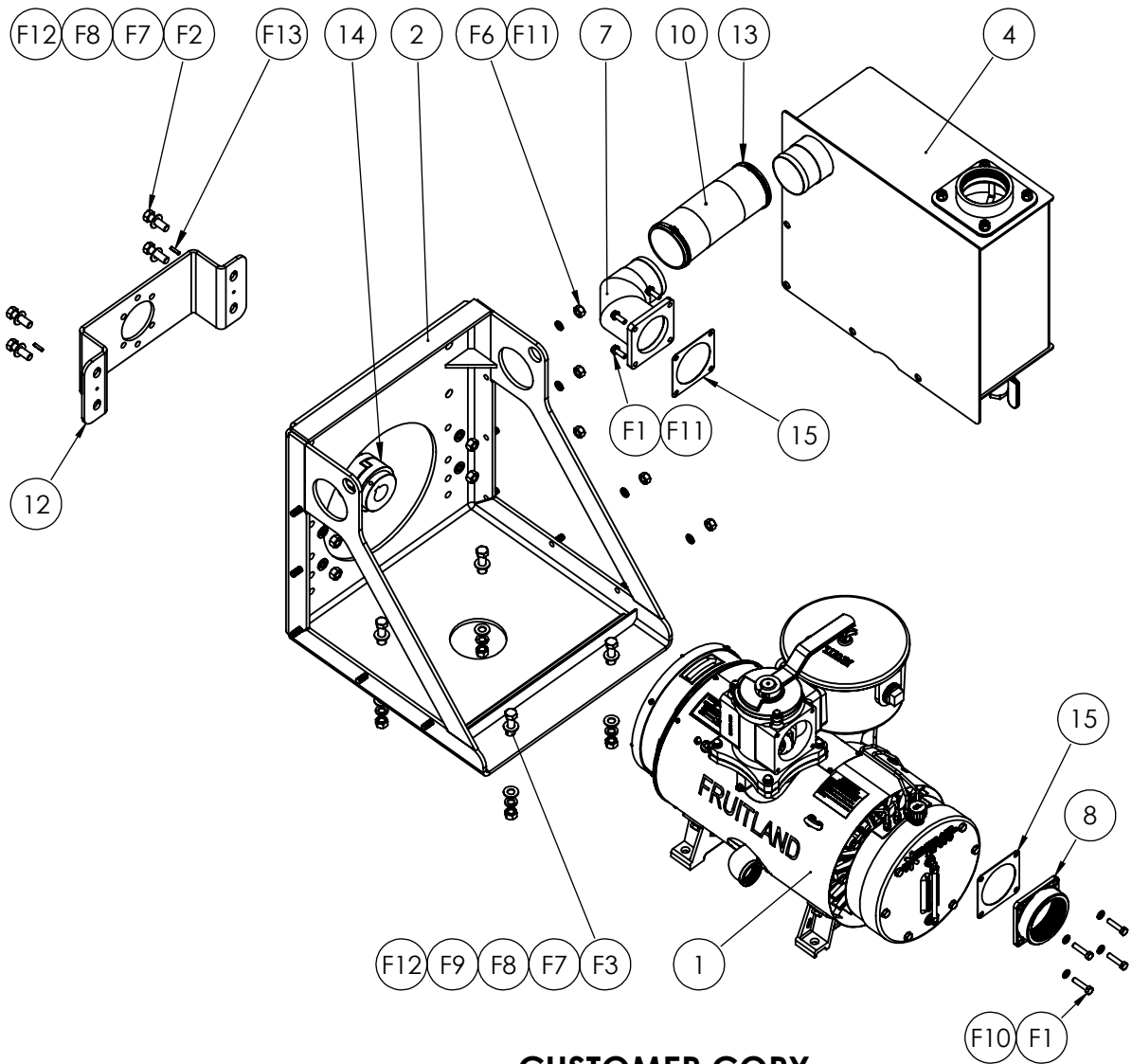


ITEM #	PART #	DESCRIPTION	QTY.
1	870LUF	Vacumm Pump	1
2	RF870-SC	Pedestal Frame	1
4	RF870-M14	Muffler	1
7	F14	ELIM 870 4" Flange	1
8	RF870-4NPT	4" NPT Flange	1
10	4" Rubber Hose Muf	Ø4" Rubber Hose	12"
12	HDM14	Hyrdaulic Motor Mount	1
13	Maxi-Clamp	Maxi-Clamp	2
14		Customer To Specify Coupling Size	1
15	RF870-65	Diverter Gasket for RCF 870	2
27	VB	Vacuum Relief Valve 1-1/2" NPT	1
Hex Bolts			
F1	RF500-67A	10mm Hex Head Bolt 10x1.5x30	8
F2	5/8"X2" HEX HEAD	5/8" NC 2" Long Zinc Plated Hex Head Bolts	4
F3	5/8"X2-1/4" HEX HEAD	5/8" NC 2.25" Long Zinc Plated Hex Head Bolts	4
Hex Nuts			
F5	RF500-137A	10mm Hex Nut	4
F6	1/2" NUT	1/2" Zinc Plated NC Hex Nuts	5
F7	5/8" NUT	5/8" Zinc Plated NC Hex Nuts	8
Flat Washers			
F8	5/8" F/W-SAE	5/8" Zinc Plated Flat Washer, Small	8
F9	5/8" F/W-USS	5/8" Zinc Plated Flat Washer, Large	4
Lock Washers			
F10	RF120-94A	10mm Lock Washer	8
F11	1/2" L/W	1/2" Lock Washer	5
F12	5/8" L/W	5/8" Lock Washer	8
Spring Pins			
F13	1/4" X 1" LG SPLIT PIN	1/4" x 1" LG Split Pin	2




PART # ELIM-H-M870LUF

NOTES:

1. DRIVE COUPLINGS TO BE CUSTOMER SPECIFIED.
2. ALL FASTENERS TO BE SUPPLIED.

WEIGHT AS SHOWN: 841 LBS

CUSTOMER COPY

	NAME	DATE		324 Leaside Avenue Stoney Creek, Ontario, CANADA L8E 2N7 Phone: (905) 662-6552 Fax: (905) 662 9875	
CREATED	Z.D.	26/03/15		TITLE:	ELIMINATOR 870 H-M PACKAGE
CHECKED	K.A.	26/03/15	DWG. NO.	ELIM-H-M870LUF	REV 0
UNLESS OTHERWISE SPECIFIED: DIMENSIONS ARE IN INCHES TOLERANCES: FRACTIONAL OR .X = ±.015 .XX = ±.010 .XXX = ±.005			MATERIAL	--	

PROPRIETARY AND CONFIDENTIAL
 THE INFORMATION CONTAINED IN THIS DRAWING IS THE SOLE PROPERTY OF **FRUITLAND MANUFACTURING**. ANY REPRODUCTION IN PART OR AS A WHOLE WITHOUT THE WRITTEN PERMISSION OF FRUITLAND MFG. IS PROHIBITED.