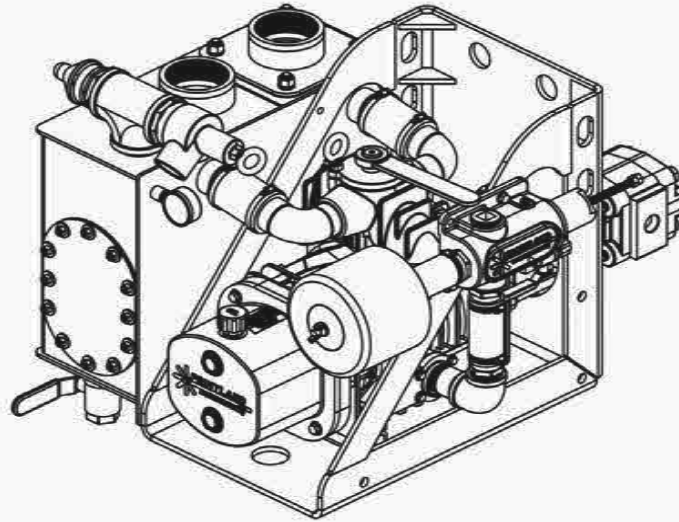
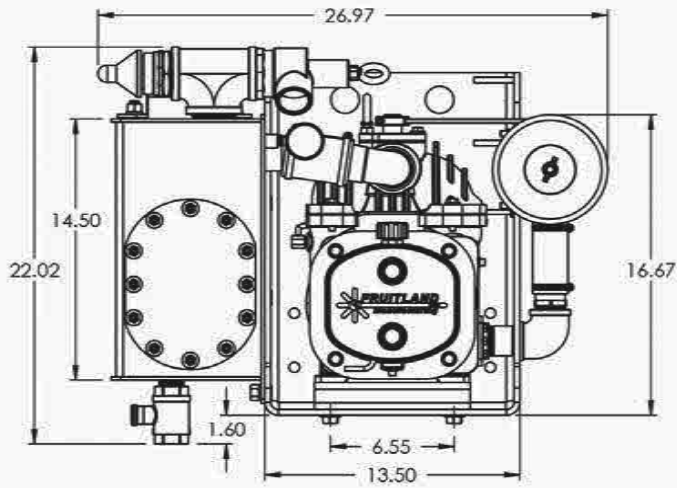
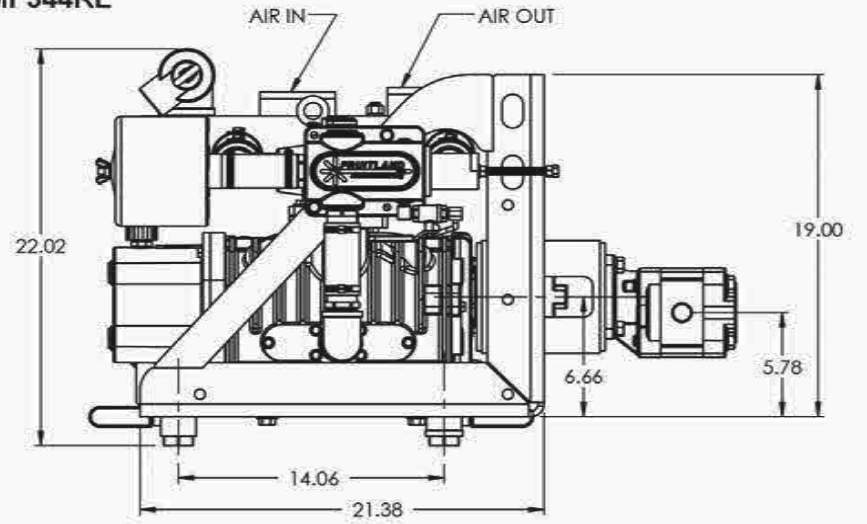
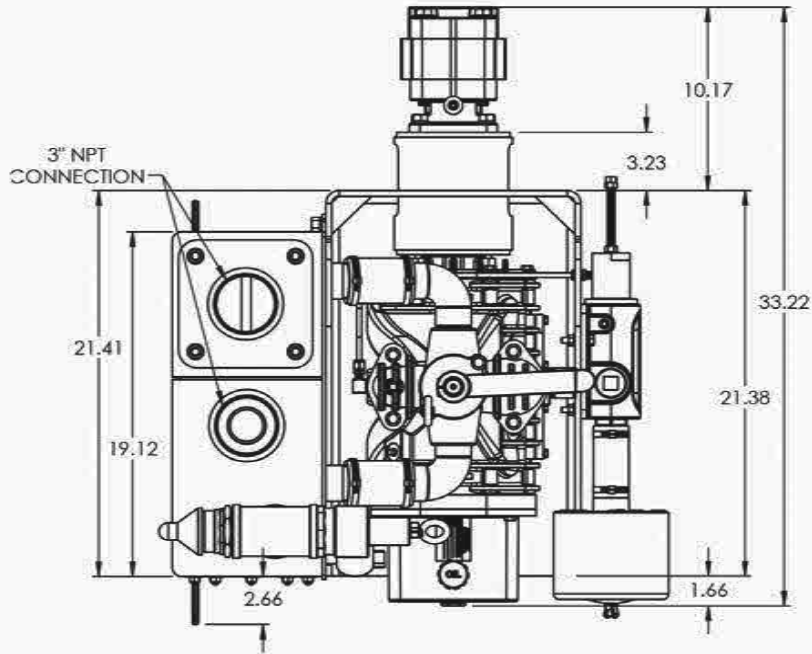


PART # ELIM H-SMF344RL



DWG IS FOR REFERENCE ONLY  
WE RESERVE THE RIGHTS TO  
MAKE CHANGES

REF. DWG# ELIM H-SMF344RL-DIMS

