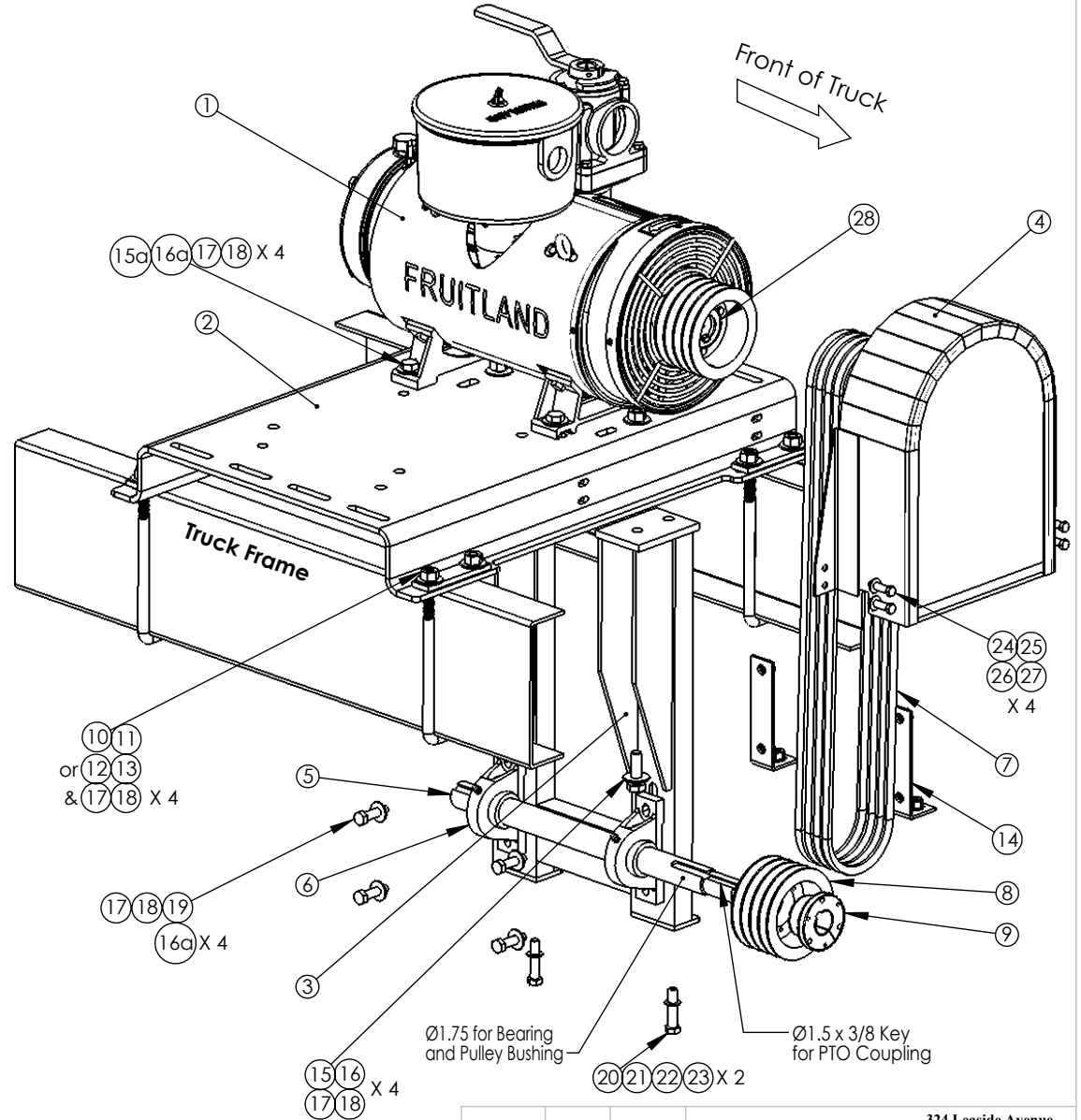


ELIMINATOR PACKAGE

Top Frame Mount Belt Drive System

(Sold with Regular or Mack truck installation kit)

Assembly Parts				
#	Part Number	Description	Qty.	Price
1	500-LUF	Vacuum Pump (SOLD SEPERATELY)	1	
2	TFM-11-01	Top Frame Mount Base	1	
3	TFM-11-02v2	Top Mount Shaft Bracket Ver. 2	1	
4	TFM-11-BG	Top Mount Belt Guard	1	
5	TFM-11-08	Jack Shaft, Ø 1 3/4", 3/8" keyway	1	
6	TFM-11-A1	1 3/4" Pillow Block Bearings w collar	2	
7	TFM-11-A2	B78 (or BX78) V Belt	4	
8	RF-500-38	4 Groove, 6" Sheave	2	
9	SK1.75	1-3/4"Ø SK BUSHING	1	
14	TFM-11-07	Shaft Adjustment Bracket	2	
15	5/8"x2" HEX HEAD	5/8" NC 2" Long Zinc Plated Hex Head Bolts	4	
15a	5/8"x2-1/4" HEX HEAD	5/8" NC 2.25" Long Zinc Plated Hex Head Bolts	4	
16	5/8" F/W-USS	5/8" Zinc Plated Flat Washer, Large	4	
16a	5/8" F/W-SAE	5/8" Zinc Plated Flat Washer, Small	8	
17	5/8" L/W	5/8" Lockwasher	12	
18	5/8" Nut	5/8" Zinc Plated NC Hex Nuts	12	
19	5/8"x2-1/2" HEX HEAD	5/8" NC 2.5" Long Zinc Plated Hex Head Bolts	4	
20	1/2"x 3-1/4" Hex HEAD	1/2" NC 3.25" Long Zinc Plated Hex Head Bolts	2	
21	1/2" Flat Washer	1/2" Zinc Plated Flat Washer	4	
22	1/2" L/W	1/2" Lockwasher	2	
23	1/2" Nut	1/2" Zinc Plated NC Hex Nuts	2	
24	RF500-67A	10mm Hex Head Bolt M10 X 35mm	4	
25	RF500-308	10mm Plain Washer	8	
26	RF500-137A	10mm Hex Nut	4	
27	RF120-94A	10mm Lock Washer	4	
28	SK 42	Taper Bushing 42mm	1	
Part # TFM-11R, Regular Installation Kit				
10	TFM-11-A3	3-1/2" U Bolt, Ø5/8-11 NC	4	
11	TFM-11-09	Tie Bar Plates for 3-1/2" U Bolts	4	
16	5/8" F/W-USS	5/8" Zinc Plated Flat Washer, Large	8	
17	5/8" L/W	5/8" Lockwasher	8	
18	5/8" Nut	5/8" Zinc Plated NC Hex Nuts	8	
Part # TFM-11M, Mack Truck Installation Kit				
12	TFM-11-A4	4-3/16" U Bolt Ø5/8-11 NC for Mack Only	4	
13	TFM-11-A5	Tie Bar Plates for 4-3/16" U Bolts Mack Only	4	
16	5/8" F/W-USS	5/8" Zinc Plated Flat Washer, Large	8	
17	5/8" L/W	5/8" Lockwasher	8	
18	5/8" Nut	5/8" Zinc Plated NC Hex Nuts	8	



PART # ELIM TBR500LUF
PART # ELIM TBM500LUF

PROPRIETARY AND CONFIDENTIAL
 THE INFORMATION CONTAINED IN THIS DRAWING IS THE SOLE PROPERTY OF FRUITLAND MANUFACTURING. ANY REPRODUCTION IN PART OR AS A WHOLE WITHOUT THE WRITTEN PERMISSION OF FRUITLAND MFG. IS PROHIBITED.

NAME	DATE	324 Leaside Avenue Stoney Creek, Ontario, CANADA L8E 2N7 Phone: (905) 662-6552 Fax: (905) 662-5412	
CREATED	S.P. 06/13/2013	TITLE: TOP FRAME MOUNT BELT DRIVE	
CHECKED	K.A. 06/13/2013	DWG. NO. TFM-13-BOM	REV 0
UNLESS OTHERWISE SPECIFIED: DIMENSIONS ARE IN INCHES TOLERANCES: FRACTIONAL OR .X = ±.015 .XX = ±.010 .XXX = ±.005		SCALE: 1:12	WEIGHT:--
MATERIAL	--		