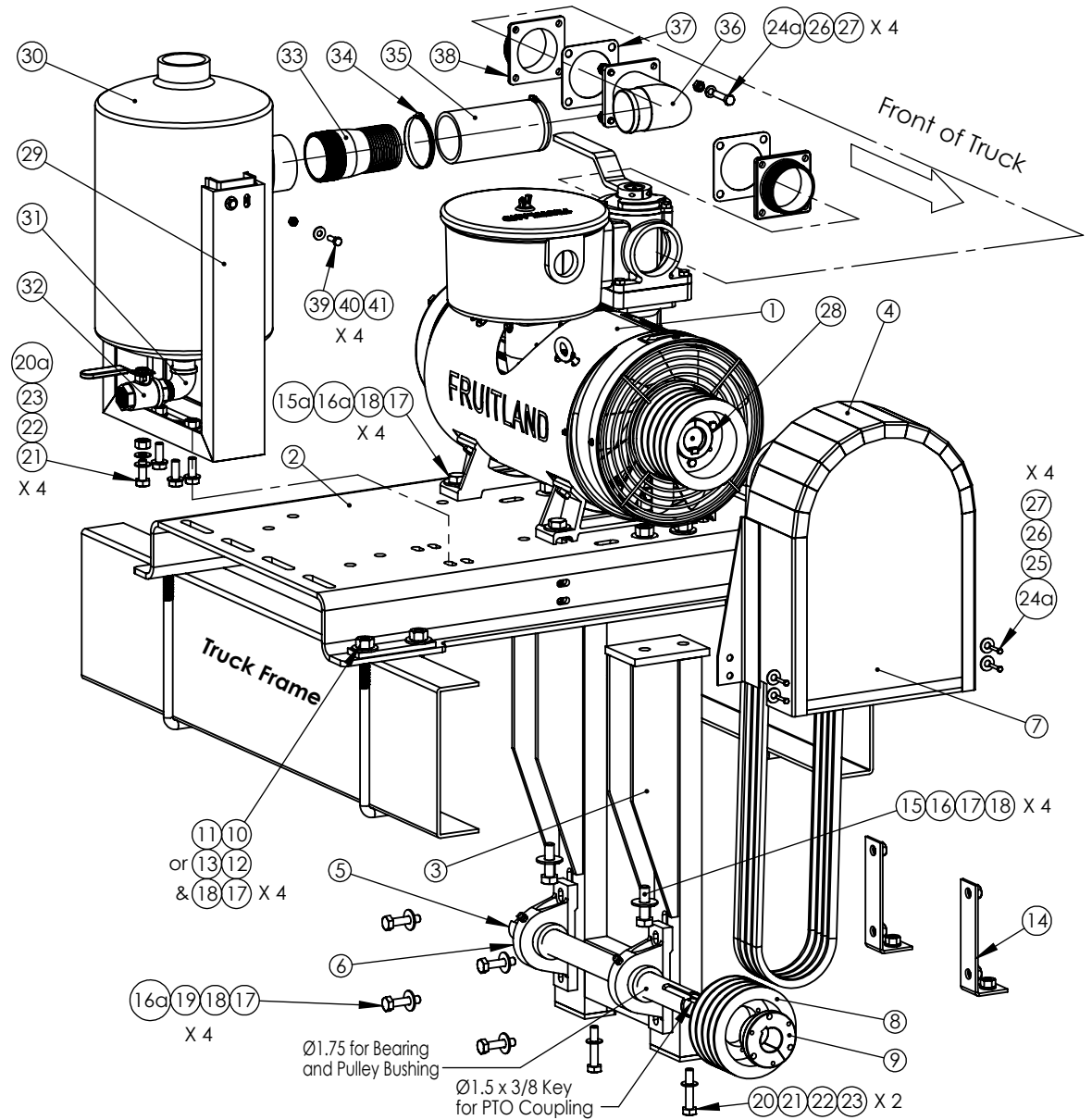


ELIMINATOR PACKAGE

Top Frame Mount Belt Drive System with Muffler and RCF 500 LUF Pump


(Sold with Regular or Mack truck installation kit)

Assembly Parts				
#	Part Number	Description	Qty.	Price
1	500-LUF	Vacuum Pump (SOLD SEPERATELY)	1	
2	TFM-11-01	Top Frame Mount Base	1	
3	TFM-11-02v2	Top Mount Shaft Bracket Ver. 2	1	
4	TFM-11-BG	Top Mount Belt Guard	1	
5	TFM-11-08	Jack Shaft, Ø 1 3/4", 3/8" keyway	1	
6	TFM-11-A1	1 3/4" Pillow Block Bearings w collar	2	
7	TFM-11-A2	B78 (or BX78) V Belt	4	
8	RF-500-38	4 Groove, 6" Sheave	2	
9	SK1.75	1-3/4"Ø SK BUSHING	1	
14	TFM-11-07	Shaft Adjustment Bracket	2	
15	5/8"x2" HEX HEAD	5/8" NC 2" Long Zinc Plated Hex Head Bolts	4	
15a	5/8"x2-1/4" HEX HEAD	5/8" NC 2.25" Long Zinc Plated Hex Head Bolts	4	
16	5/8" F/W-USS	5/8" Zinc Plated Flat Washer, Large	4	
16a	5/8" F/W-SAE	5/8" Zinc Plated Flat Washer, Small	8	
17	5/8" L/W	5/8" Lockwasher	12	
18	5/8" Nut	5/8" Zinc Plated NC Hex Nuts	12	
19	5/8"x2-1/2" HEX HEAD	5/8" NC 2.5" Long Zinc Plated Hex Head Bolts	4	
20	1/2"x 3-1/4" HEX HEAD	1/2" NC 3.25" Long Zinc Plated Hex Head Bolts	2	
20a	1/2"x 1-1/2"	1/2" NC 1.5" Long Zinc Plated Hex Head Bolts	4	
21	1/2" Flat Washer	1/2" Zinc Plated Flat Washer	12	
22	1/2" L/W	1/2" Lockwasher	6	
23	1/2" NUT	1/2" Zinc Plated NC Hex Nuts	6	
24a	RF500-67A	10mm Hex Head Bolt M10 X 30mm	8	
25	RF500-308	10mm Plain Washer	8	
26	RF500-137A	10mm Hex Nut	8	
27	RF120-94A	10mm Lock Washer	8	
28	SK 42	Taper Bushing 42mm	1	
29	TFM1-15-02	M02 Muffler Bracket	1	
30	M02	Muffler	1	
31	CVSP-3100-1"FM90	Elbow 1" Street	1	
32	M09-A-07	1" NPT Ball Valve	1	
33	TFMJ-15-03	3" Hose Barb to NPT Nipple	1	
34	FAM09-04	Hose Clamp 3" (Super Clamp SCS 86-97)	2	
35	TFMJ-15-04	3" I.D. Rubber Hose	7 in	
36	FAM09C	Flange 500 Muffler Side	1	
37	RF500-57	Pump Flange Gasket	2	
38	FA-3NPT-M	3" NPT Flange for Diverter	2	
39	5/16"x1"-BOLT	5/16" NC 1" Long Zinc Plated Hex Head Bolts	4	
40	5/16" F/W	5/16" Zinc Plated Flat Washer	4	
41	5/16" Nylock Nuts	5/16" Nylon Insert Locknut	4	
Part # TFM-11R, Regular Installation Kit				
10	TFM-11-A3	3-1/2" U Bolt, Ø5/8-11 NC	4	
11	TFM-11-09	Tie Bar Plates for 3-1/2" U Bolts	4	
16	5/8" F/W-USS	5/8" Zinc Plated Flat Washer, Large	8	
17	5/8" L/W	5/8" Lockwasher	8	
18	5/8" Nut	5/8" Zinc Plated NC Hex Nuts	8	
Part # TFM-11M, Mack Truck Installation Kit				
13	TFM-11-A5	Tie Bar Plates for 4-3/16" U Bolts Mack Only	4	
16	5/8" F/W-USS	5/8" Zinc Plated Flat Washer, Large	8	
12	TFM-11-A4	4-3/16" U Bolt Ø5/8-11 NC for Mack Only	4	
17	5/8" L/W	5/8" Lockwasher	8	
18	5/8" Nut	5/8" Zinc Plated NC Hex Nuts	8	



PART # ELIM TBRM500LUF
PART # ELIM TBMM500LUF

PROPRIETARY AND CONFIDENTIAL
 THE INFORMATION CONTAINED IN THIS DRAWING IS THE SOLE PROPERTY OF FRUITLAND MANUFACTURING. ANY REPRODUCTION IN PART OR AS A WHOLE WITHOUT THE WRITTEN PERMISSION OF FRUITLAND MFG. IS PROHIBITED.

NAME	DATE		324 Leaside Avenue Stoney Creek, Ontario, CANADA L8E 2N7 Phone: (905) 662-6552 Fax: (905) 662-5412	
CREATED	Z.D. 05/05/2015		TITLE:	TOP FRAME MOUNT BELT DRIVE WITH MUFFLER
CHECKED	K.A. 05/05/2015	DWG. NO.	ELIM TBRM500LUF-BOM	
UNLESS OTHERWISE SPECIFIED: DIMENSIONS ARE IN INCHES TOLERANCES: FRACTIONAL OR .X = ±.015 .XX = ±.010 .XXX = ±.005		MATERIAL	SCALE: 1:12	WEIGHT:--
		REV	0	