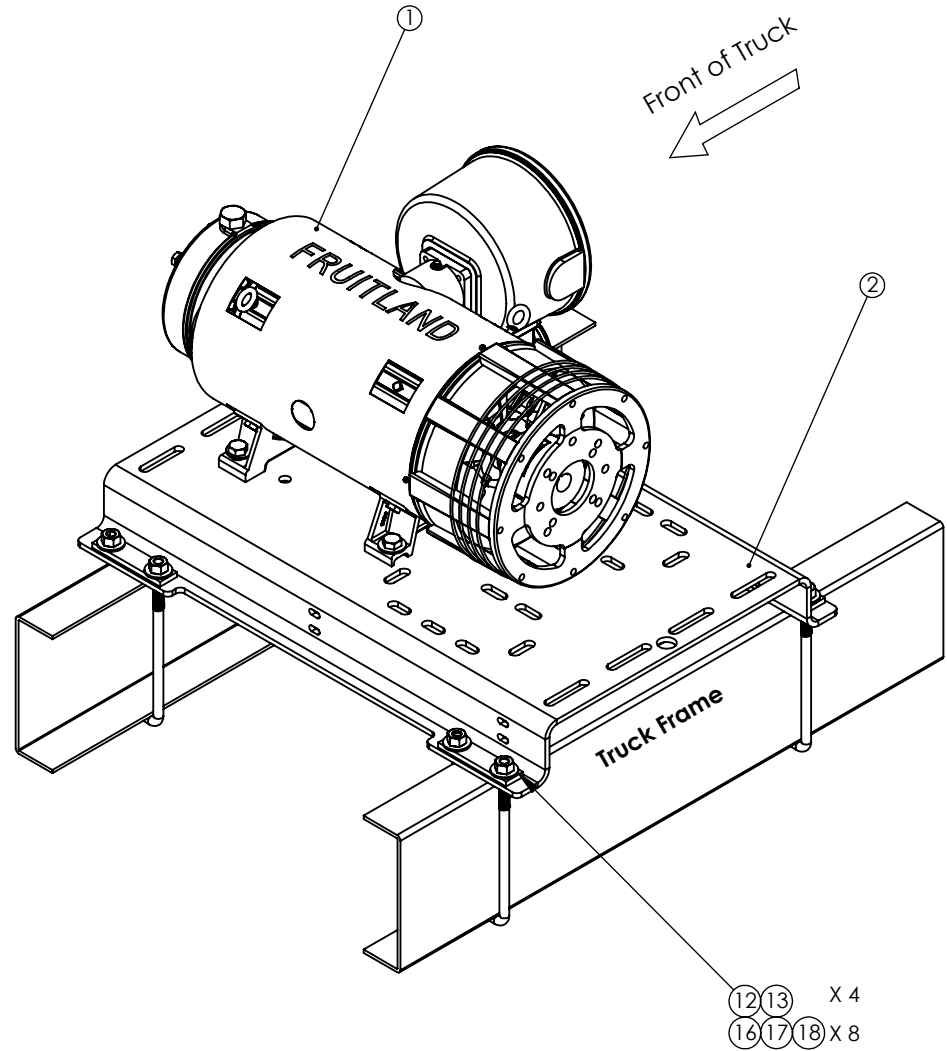



Assembly Parts				
#	Part Number	Description	Qty.	Price
1	500-LSFH	Vacuum Pump (SOLD SEPERATELY)	1	
2	TFM-11-01	Top Frame Mount Base	1	
Part # TFM-11M, Mack Truck Installation Kit				
12	TFM-11-A4	4-3/16" U Bolt Ø5/8-11 NC for Mack Only	4	
13	TFM-11-A5	Tie Bar Plates for 4-3/16" U Bolts Mack Only	4	
16	5/8" F/W-USS	5/8" Zinc Plated Flat Washer, Large	8	
17	5/8" L/W	5/8" Lockwasher	8	
18	5/8" Nut	5/8" Zinc Plated NC Hex Nuts	8	



	NAME	DATE		324 Leaside Avenue Stoney Creek, Ontario, CANADA L8E 2N7 Phone: (905) 662-6552 Fax: (905) 662 9875	
CREATED	F.H.	03/19/13			
CHECKED	W.D.	03/25/13	TITLE:	Top Hydraulic Mack Kit With 500LSFH	
UNLESS OTHERWISE SPECIFIED: DIMENSIONS ARE IN INCHES TOLERANCES: FRACTIONAL OR .X = ±.015 .XX = ±.010 .XXX = ±.005			DWG. NO.	ELIM-THM500LSFH	
PROPRIETARY AND CONFIDENTIAL THE INFORMATION CONTAINED IN THIS DRAWING IS THE SOLE PROPERTY OF FRUITLAND MANUFACTURING. ANY REPRODUCTION IN PART OR AS A WHOLE WITHOUT THE WRITTEN PERMISSION OF FRUITLAND MFG. IS PROHIBITED.			MATERIAL	--	SCALE: --
			WEIGHT:--	SHEET --	