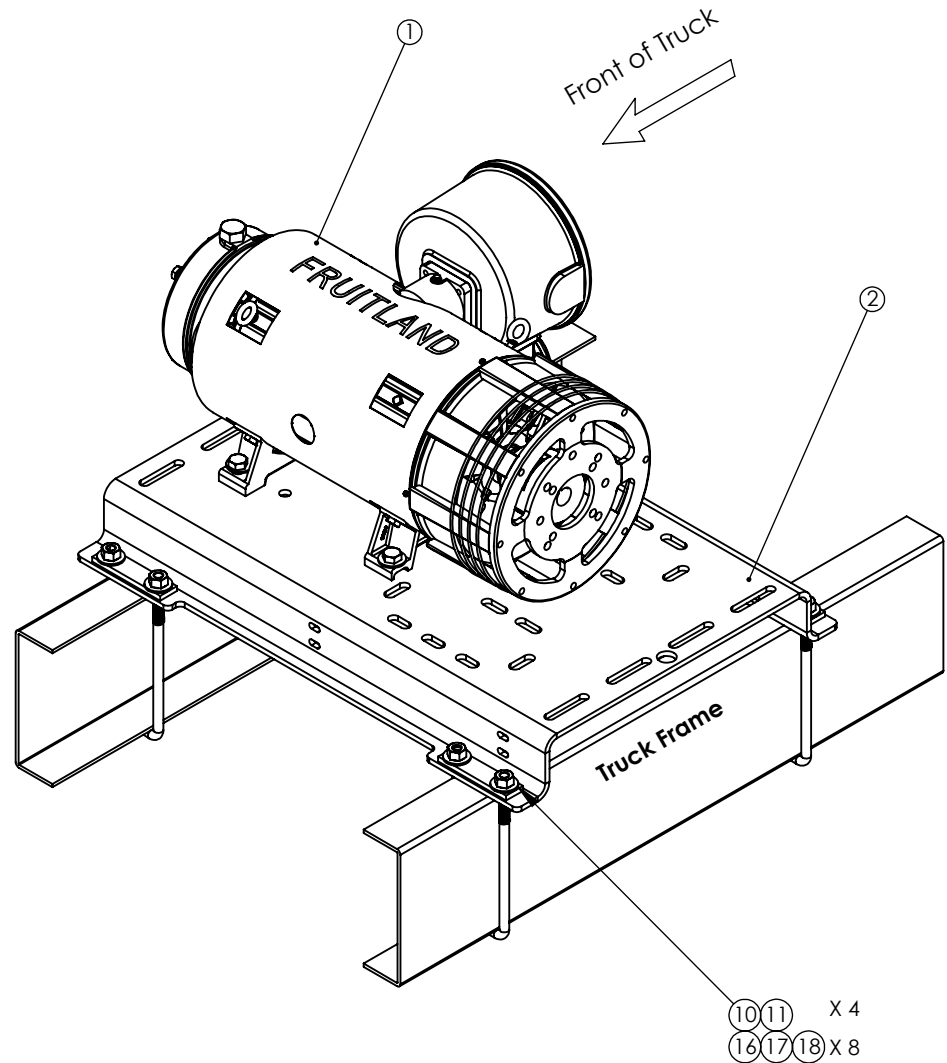



Assembly Parts				
#	Part Number	Description	Qty.	Price
1	500-LSFH	Vacuum Pump (SOLD SEPERATELY)	1	
2	TFM-11-01	Top Frame Mount Base	1	
Part # TFM-11R, Regular Installation Kit				
10	TFM-11-A3	3-1/2" U Bolt, Ø5/8-11 NC	4	
11	TFM-11-09	Tie Bar Plates for 3-1/2" U Bolts	4	
16	5/8" F/W-USS	5/8" Zinc Plated Flat Washer, Large	8	
17	5/8" L/W	5/8" Lockwasher	8	
18	5/8" Nut	5/8" Zinc Plated NC Hex Nuts	8	



	NAME	DATE		324 Leaside Avenue Stoney Creek, Ontario, CANADA L8E 2N7 Phone: (905) 662-6552 Fax: (905) 662 9875		
CREATED	F.H.	03/19/13		TITLE:	Top Hydraulic Regular Kit With 500LSFH	
CHECKED	W.D.	03/25/13		DWG. NO.	ELIM-THR500LSFH	REV 0
UNLESS OTHERWISE SPECIFIED: DIMENSIONS ARE IN INCHES TOLERANCES: FRACTIONAL OR .X = ±.015 .XX = ±.010 .XXX = ±.005			MATERIAL	--	SCALE: -- WEIGHT:-- SHEET --	

PART# ELIM THR500LSFH

PROPRIETARY AND CONFIDENTIAL
 THE INFORMATION CONTAINED IN THIS DRAWING IS THE SOLE PROPERTY OF **FRUITLAND MANUFACTURING**. ANY REPRODUCTION IN PART OR AS A WHOLE WITHOUT THE WRITTEN PERMISSION OF FRUITLAND MFG. IS PROHIBITED.