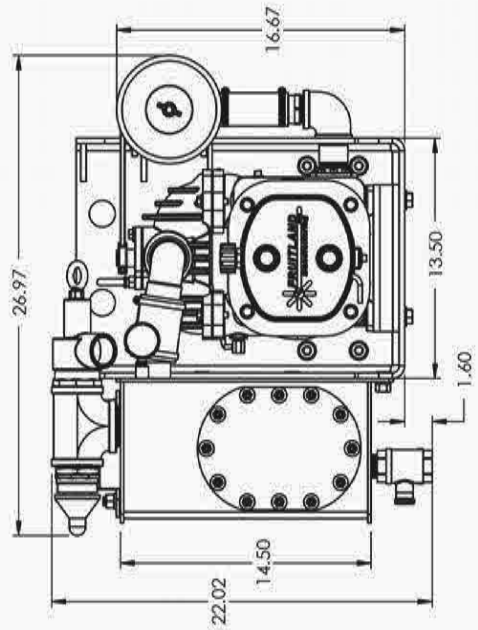
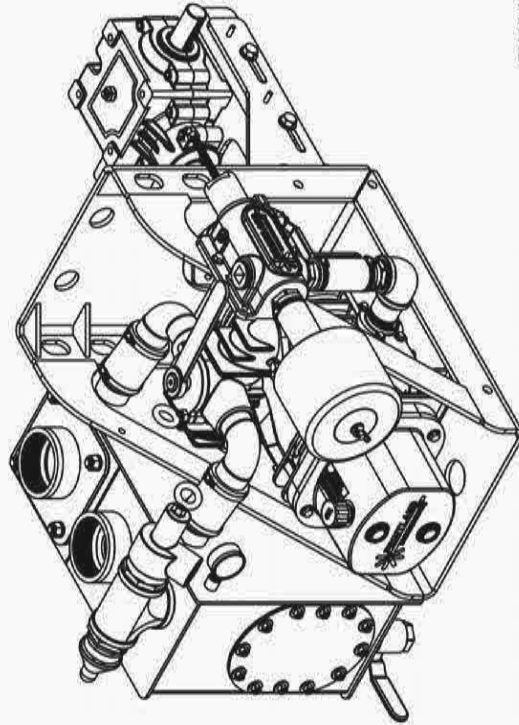
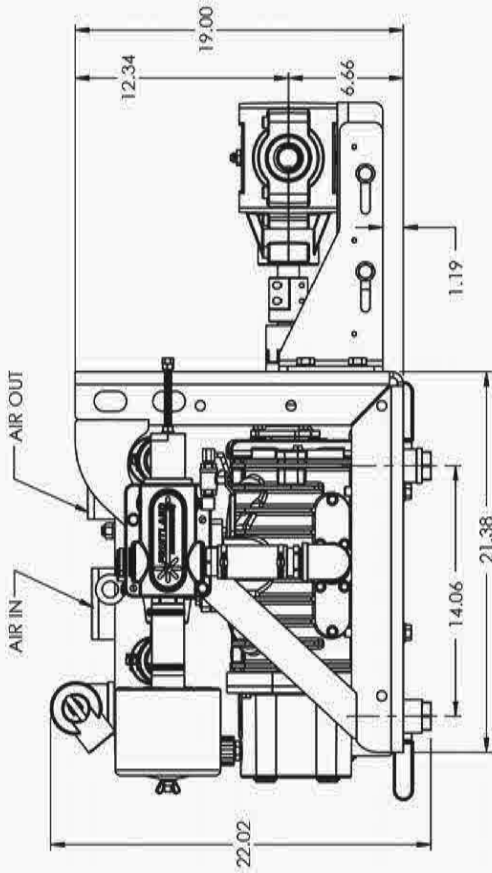
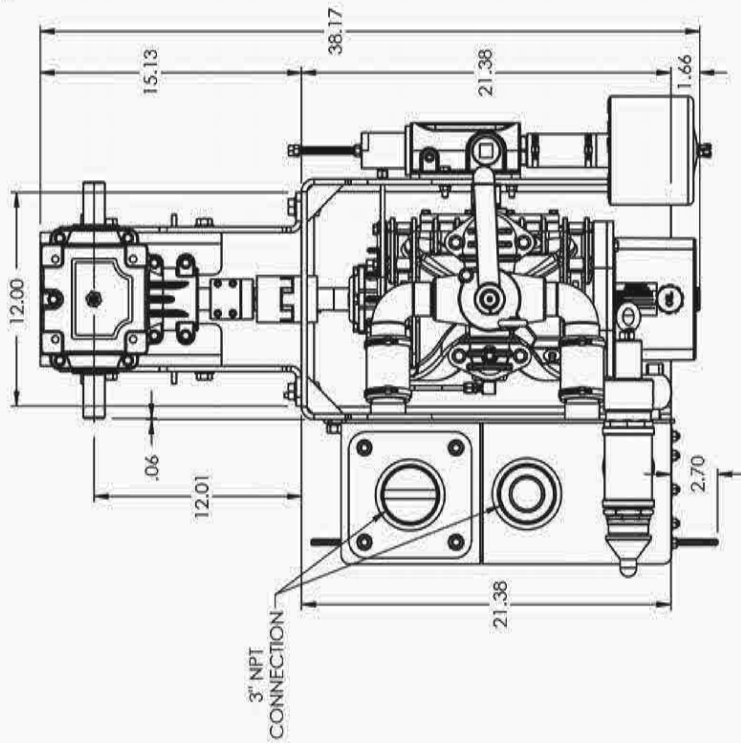


PART # ELIM A-SMF344RL



DWG IS FOR REFERENCE ONLY
WE RESERVE THE RIGHTS TO
MAKE CHANGES

REF. DWG# ELIM A-SMF344RL

