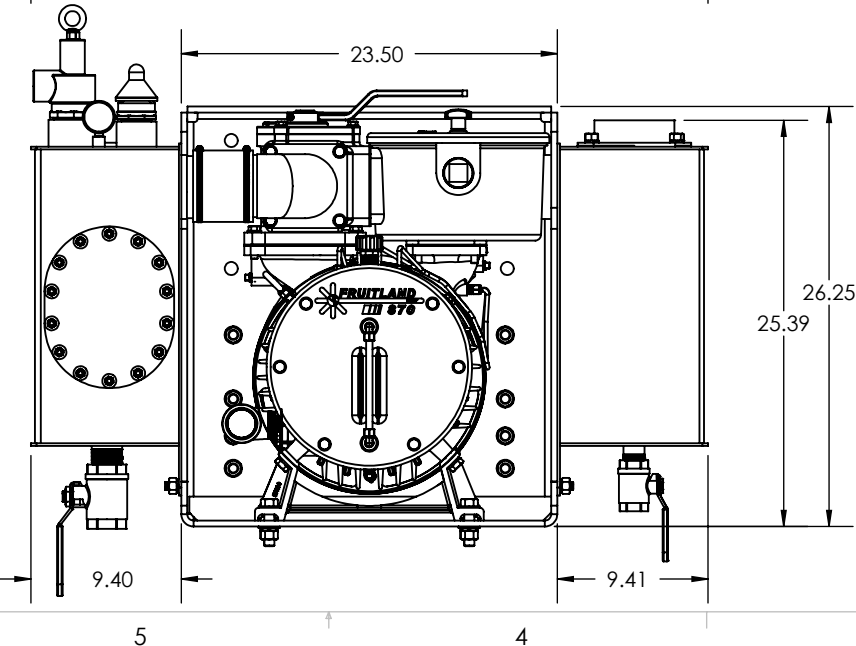
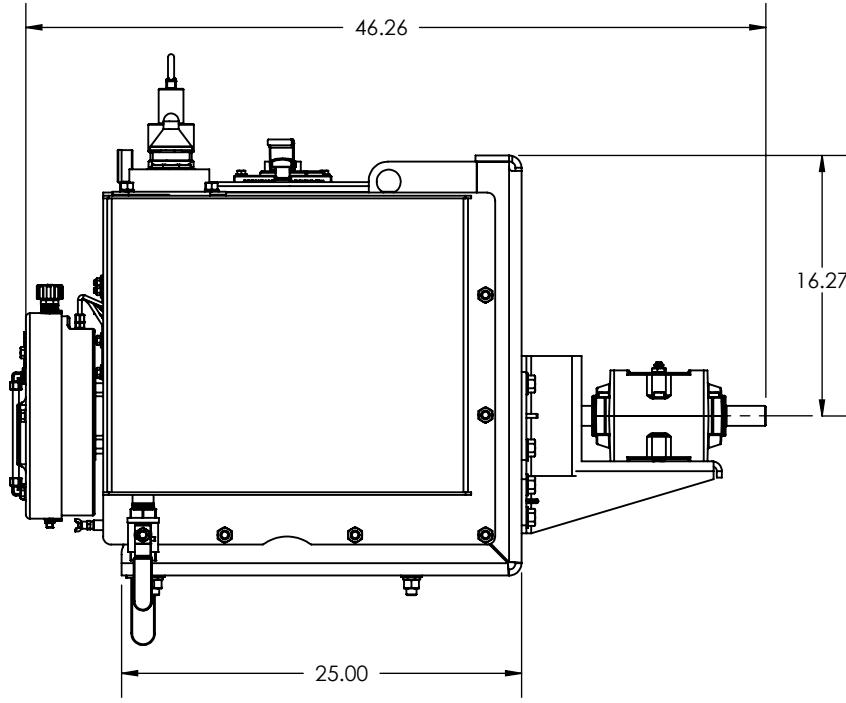
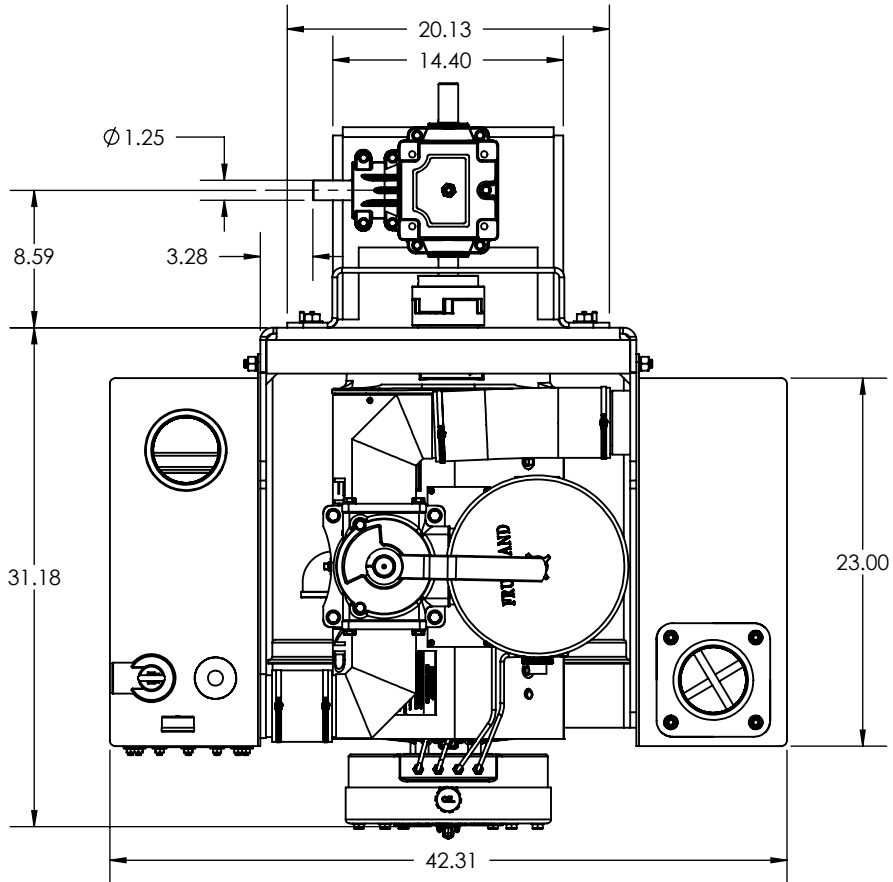



NOTE: SHOWN WITH RF870LUF PUMP
OTHER OPTIONS AVAILABLE



PART#: ELIM870-A-SM DIMENSIONS

CUSTOMER COPY

	NAME	DATE		324 Leaside Avenue Stoney Creek, Ontario, CANADA L8E 2N7 Phone: (905) 662-6552 Fax: (905) 662 9875	
CREATED	Z.D.	26/03/15		TITLE:	ELIM870-A-SM DIMENSIONS
CHECKED	K.A.	26/03/15	DWG. NO.	ELIM870-A-SM DIMENSIONS	REV 0
UNLESS OTHERWISE SPECIFIED: DIMENSIONS ARE IN INCHES TOLERANCES: FRACTIONAL OR .X = ±.015 .XX = ±.010 .XXX = ±.005			MATERIAL	--	

PROPRIETARY AND CONFIDENTIAL
THE INFORMATION CONTAINED IN THIS DRAWING IS THE SOLE PROPERTY OF FRUITLAND MANUFACTURING. ANY REPRODUCTION IN PART OR AS A WHOLE WITHOUT THE WRITTEN PERMISSION OF FRUITLAND MFG. IS PROHIBITED.