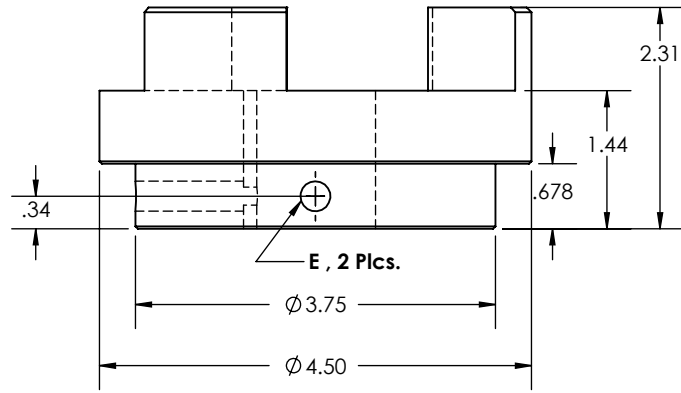
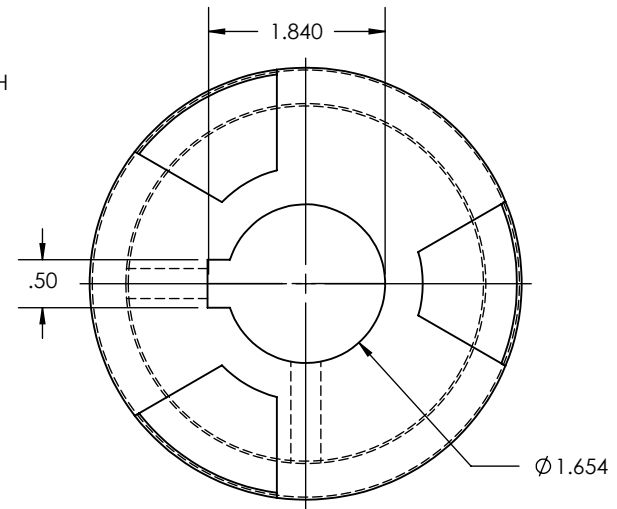
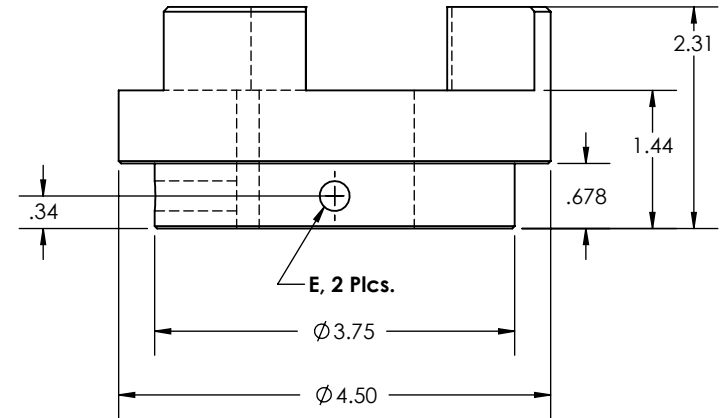


NOTE:
OVERALL ASSEMBLED LENGTH
WITH INSERT = 3.8" REF.



PART # (SEE TABLE BELOW)



PART # F-190-42

F-190 COUPLINGS

PART #	DIM "A" BORE Ø +0.0003 +0.0013	DIM "B" KEY WIDTH +0.002 -0.0	DIM "C" KEY ACROSS BORE +0.01 -0.0	DIM "E" SET SCREW SIZE
F 190-1255	1.250	5/16	1.406	3/8-16 X 3/4
F 190-1250	1.250	1/4	1.375	3/8-16 X 3/4
F 190-1125	1.125	1/4	1.250	3/8-16 X 3/4
F 190-1000	1.000	1/4	1.125	3/8-16 X 3/4
F 190-42	1.654 (42MM)	1/2	1.840	3/8-16 X 3/4
F 190-1500	1.500	3/8	1.687	3/8-16 X 3/4
F 190-875	0.875	1/4	1.000	3/8-16 X 3/4
F 190-1375	1.375	5/16	1.530	3/8-16 X 3/4

REV 1, DCR 428; OVERALL COUPLING HEIGHT UPDATED

NAME	DATE	FRUITLAND TOOL & MFG. 324 Leaside Ave., Stoney Creek Ontario, CANADA Phone: (905) 662-6552 Fax: (905) 662 9875
DRAWN	K.A. 8/3/2011	
CHECKED	W.D. 10/11/2011	TITLE: F 190 Coupling
UNLESS OTHERWISE SPECIFIED: DIMENSIONS ARE IN INCHES TOLERANCES: FRACTIONAL OR .X = ±.015 .XX = ±.010 .XXX = ±.005		DWG. NO. F-190
MATERIAL	--	SCALE: 1:2 WEIGHT:-- SHEET 1 OF 1

PROPRIETARY AND CONFIDENTIAL
THE INFORMATION CONTAINED IN THIS
DRAWING IS THE SOLE PROPERTY OF
FRUITLAND TOOL AND MFG. ANY
REPRODUCTION IN PART OR AS A WHOLE
WITHOUT THE WRITTEN PERMISSION OF
FRUITLAND TOOL AND MFG. IS
PROHIBITED.