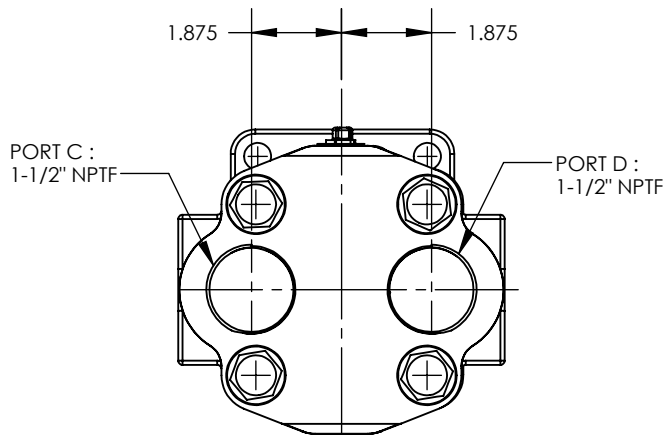
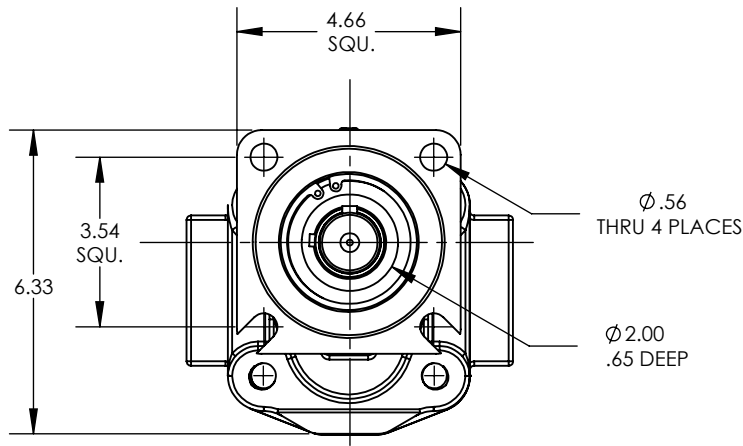
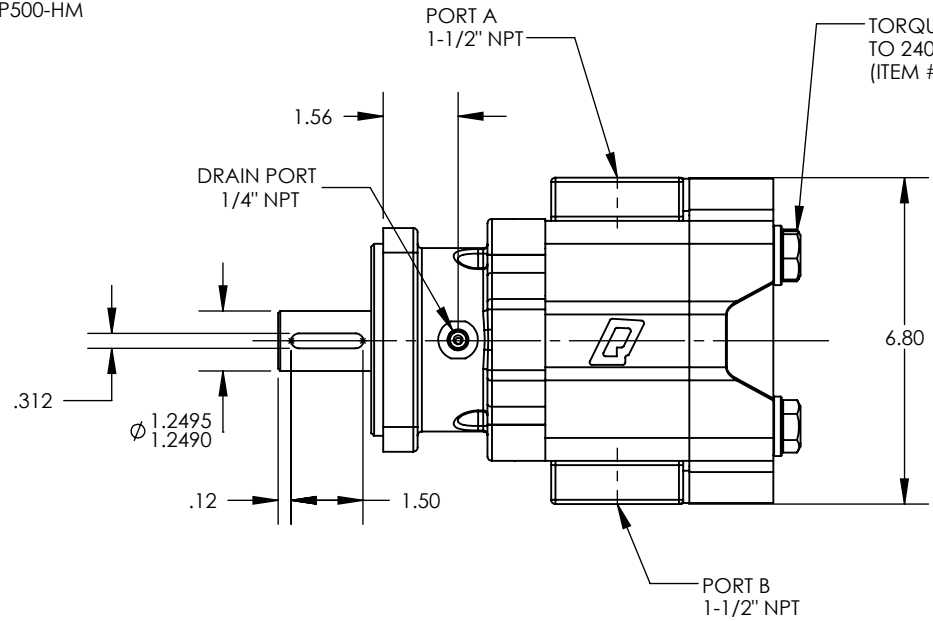


PART # P500-HM

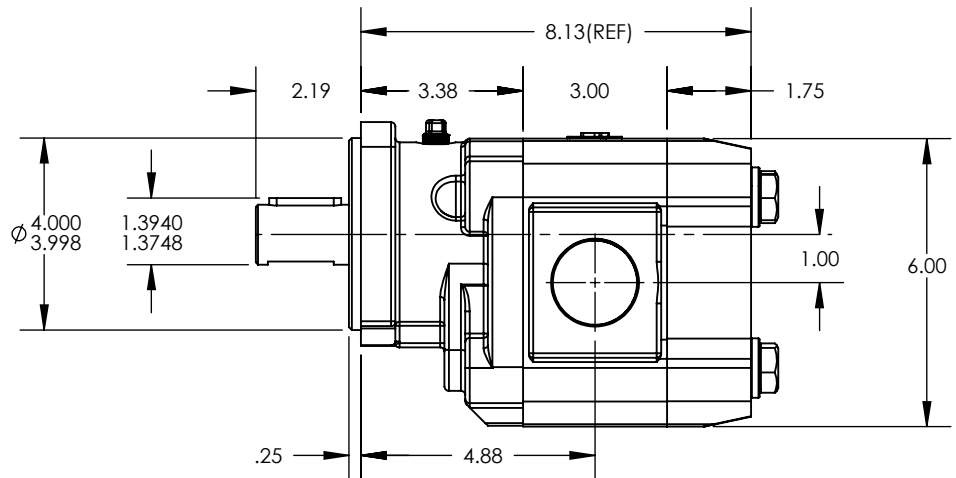
TORQUE THE 4 BOLTS TO 2400 IN. LBS. (ITEM # 15)




VIEW A



SAE B- 4 BOLT



DRIVE SHAFT
KEY : 5/16" X 15/32" X 1-1/2"
ANSI B17.1

NAME	DATE		324 Leaside Avenue Stoney Creek, Ontario, CANADA L8E 2N7 Phone: (905) 662-6552 Fax: (905) 662 9875	
CREATED	S.B 12/07/12		TITLE:	500 HYDARULIC MOTOR
CHECKED	K.A 12/07/12	DWG. NO.	P500-HM	REV 0
UNLESS OTHERWISE SPECIFIED: DIMENSIONS ARE IN INCHES TOLERANCES: FRACTIONAL OR .X = ±.015 .XX = ±.010 .XXX = ±.005		MATERIAL	--	SCALE: 1:4
		WEIGHT:--	SHEET 1 OF 1	

Displ. (In. ³)	Theo. GPM @ 1000 RPM	Avg. GPM @ 1000 RPM	Max. RPM	Peak PSI
5.70	25.0	21.0	3000	3000

5

4

3

2

1

PROPRIETARY AND CONFIDENTIAL
THE INFORMATION CONTAINED IN THIS DRAWING IS THE SOLE PROPERTY OF FRUITLAND MANUFACTURING. ANY REPRODUCTION IN PART OR AS A WHOLE WITHOUT THE WRITTEN PERMISSION OF FRUITLAND MFG. IS PROHIBITED.