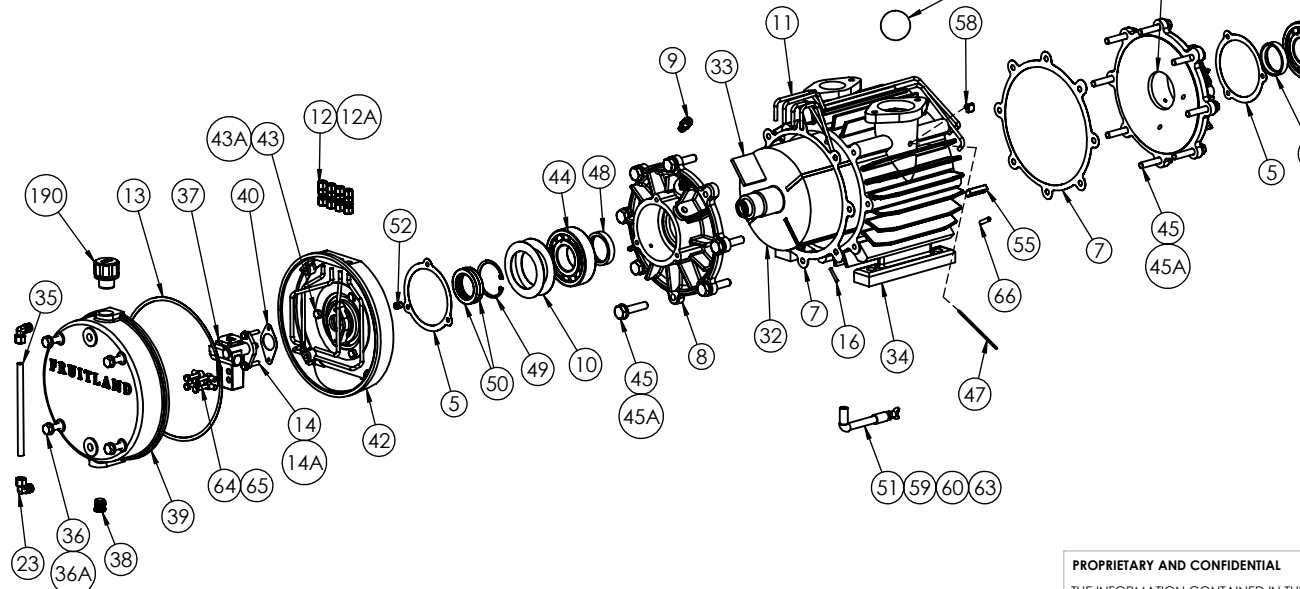
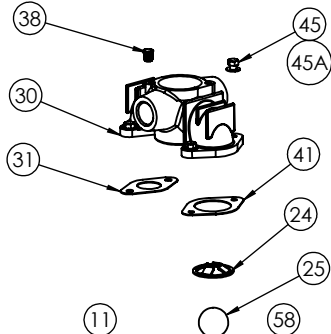
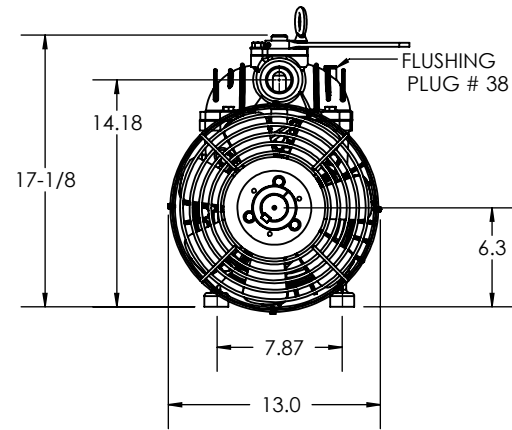
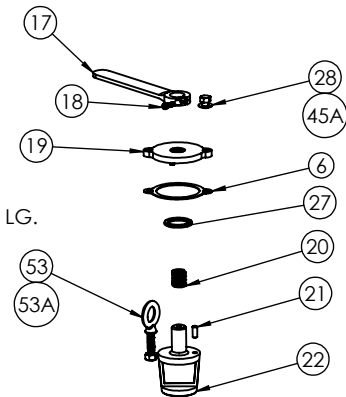
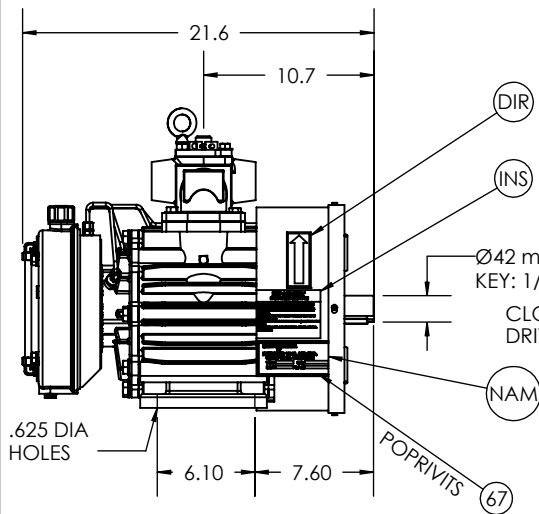



RCF 250



WHEN ORDERING SPARE PARTS
ALWAYS STATE MODEL AND
SERIAL NUMBER OF PUMP.

FOR GENERAL INFORMATION ONLY
WE RESERVE THE RIGHT TO MAKE
CHANGES

DCR# 493, REV 1, SOLIDWORKS UPDATE, 04/03/2012, F.H
DCR# 575, REV 2, UPDATED ITEM NUMBERS, 07/10/2014 K.A.

	NAME	DATE		324 Leaside Avenue Stoney Creek, Ontario, CANADA L8E 2N7 Phone: (905) 662-6552 Fax: (905) 662 9875	
CREATED	S.B	11/29/12		TITLE:	EXPLODED VIEW ROTARY SLIDING VANE COMPRESSOR
CHECKED	K.A	11/29/12	DWG. NO.	RCF-250-252	REV 2
UNLESS OTHERWISE SPECIFIED: DIMENSIONS ARE IN INCHES TOLERANCES: FRACTIONAL OR .X = ±.015 .XX = ±.010 .XXX = ±.005			MATERIAL	--	SCALE: 1:16 WEIGHT:-- SHEET 1 OF 1

PROPRIETARY AND CONFIDENTIAL
 THE INFORMATION CONTAINED IN THIS
 DRAWING IS THE SOLE PROPERTY OF
FRUITLAND MANUFACTURING. ANY
 REPRODUCTION IN PART OR AS A
 WHOLE WITHOUT THE WRITTEN
 PERMISSION OF FRUITLAND MFG. IS
 PROHIBITED.