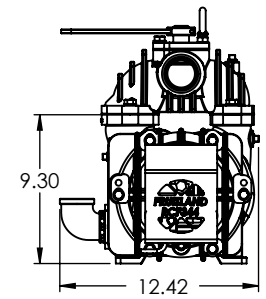
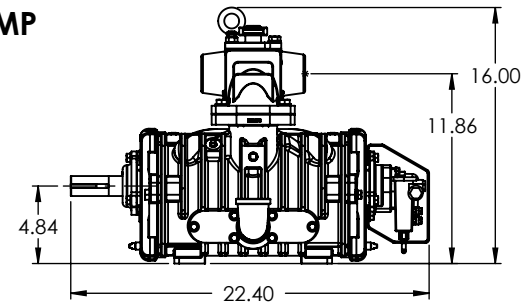
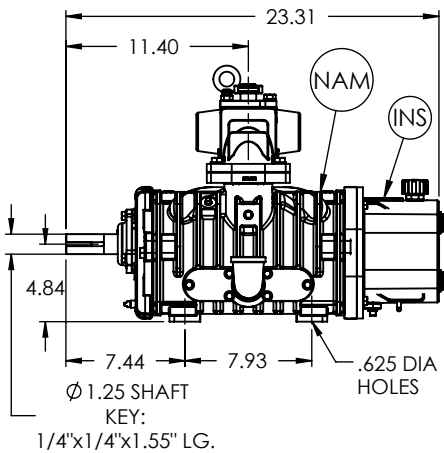
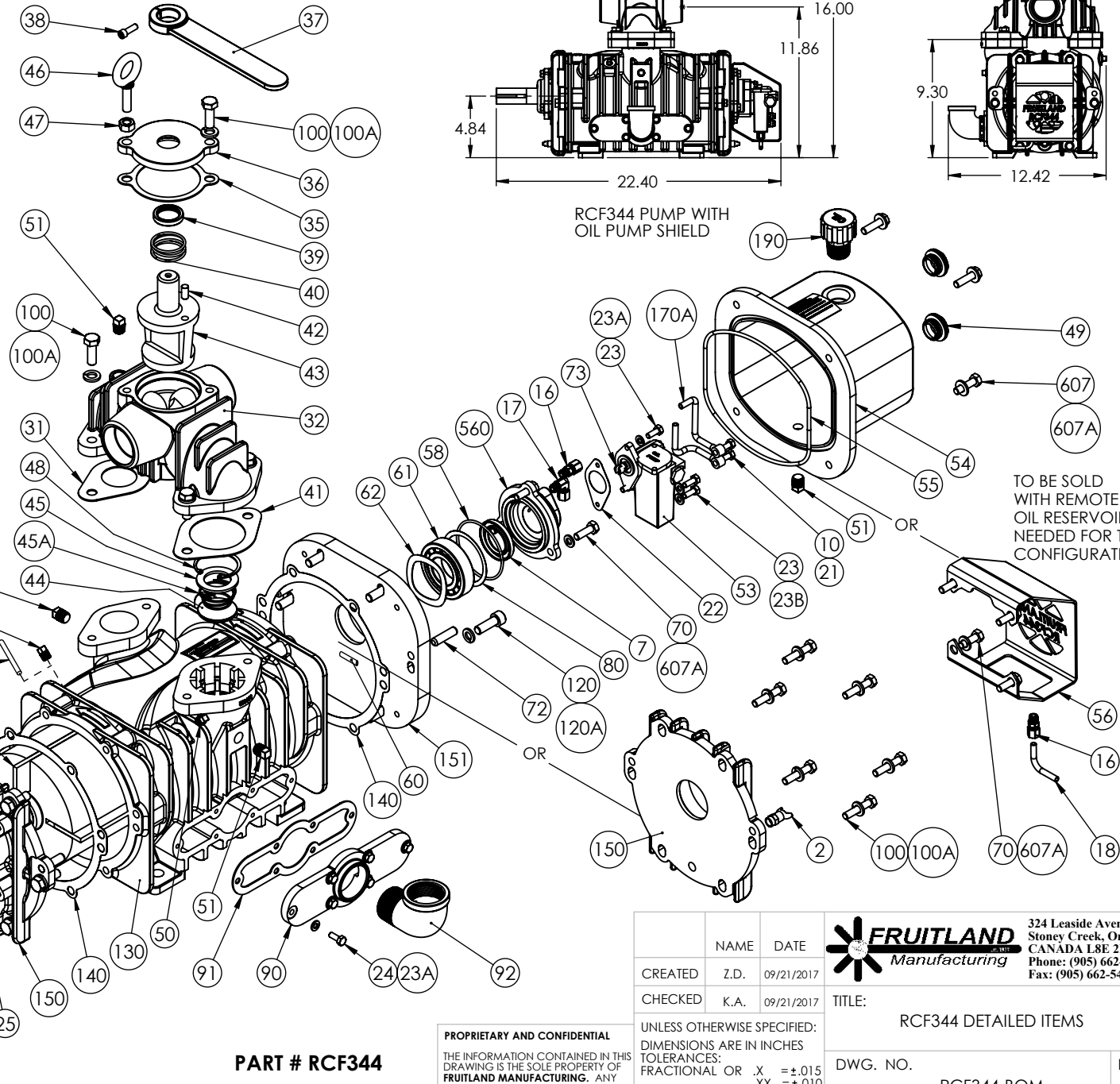
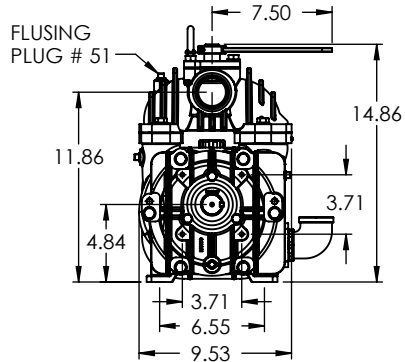


RCF344 PUMP



RCF344 PUMP WITH OIL PUMP COVER



TO BE SOLD WITH REMOTE OIL RESERVOIR NEEDED FOR THIS CONFIGURATION

PART # RCF344

REV P4, ITEM #45A (BU VALVE SPRING) ADDED, 07/23/2018, Z.D.
 REV P3, DESIGN CHANGED (HOUSING), ITEM #48 (INTERNAL RETAINING RING) ADDED, ITEM #45 (BACK-UP VALVE RING) CHANGED, 04/19/2018, Z.D.
 REV P2, ROTOR DESIGN CHANGED (ONE PIECE), ITEM #12 (COLLAR) BECAME PART OF ROTOR, ITEM #72 (DOWEL PIN) ADDED, 01/05/2018, Z.D.

PROPRIETARY AND CONFIDENTIAL
 THE INFORMATION CONTAINED IN THIS DRAWING IS THE SOLE PROPERTY OF FRUITLAND MANUFACTURING. ANY REPRODUCTION IN PART OR AS A WHOLE WITHOUT THE WRITTEN PERMISSION OF FRUITLAND MFG. IS PROHIBITED.

	NAME	DATE		324 Leaside Avenue Stoney Creek, Ontario, CANADA L8E 2N7 Phone: (905) 662-6552 Fax: (905) 662-5412	
CREATED	Z.D.	09/21/2017		TITLE:	RCF344 DETAILED ITEMS
CHECKED	K.A.	09/21/2017	DWG. NO.	RCF344-BOM	REV P4
UNLESS OTHERWISE SPECIFIED: DIMENSIONS ARE IN INCHES TOLERANCES: FRACTIONAL OR .X = ±.015 .XX = ±.010 .XXX = ±.005			SCALE: 1:12	WEIGHT:--	SHEET 1 OF 2
MATERIAL	--				

ITEM#	PART #	DESCRIPTION	QTY.
2	RF500-82A	DRAIN PLUG /VALVE 1/4" NPT	1
7	RF344-225A	OIL SEAL	3
10	250-6	SOLDER FITTING OIL PUMP OUTLET	4
16	RF500-50A	COMPRESSION FITTING 1/8" FOR 1/4"	1
17	RF870-72A	BRASS ELBOW COMPRESSION 1/8" NPT- 1/4" TUBE COMPRESSION	1
21	250-6A	HOLLOW BOLT M6 FOR OIL PUMP	2
22	RF500-27	GASKET - OIL PUMP	1
23	RF500-28A	HEX BOLT M6 X 16MM	4
23A	RF500-280A	LOCKWASHER M6	8
23B	RF344-18A	COPPER FLAT WASHER M6	2
24	RF500-49A	HEX BOLT M6 X 20MM	6
25	RF344-4	344 ROTOR ASSEMBLY	1
26	RF344-6A	VANES	4
31	RF250-238	DIVERter INTAKE FLANGE GASKET	1
32	RF250-240	DIVERter HOUSING	1
35	RF250-248	DIVERter HOUSING CAP GASKET	1
36	RF250-241	DIVERter HOUSING CAP	1
37	RF250-250	DIVERter VALVE LEVER	1
38	RF500-130A	S.H.C. SCREW 1/4"-28 X 3/4	1
39	RF250-244A	DIVERter OIL SEAL	1
40	RF250-246	DIVERter VANE SPRING	1
41	RF250-251	DIVERter EXHAUST FLANGE GASKET	1
42	RF250-247A	5/16" x 5/8" DIVERter VANE SPRING PIN	1
43	RF250-243	DIVERter VANE	1
44	RF344-BUVD	BACKUP-UP VALVE DISC	1
45	RF344-BUVR	BACK-UP VALVE RING	1
45A	RF344-66A	BACK-UP VALVE SPRING	1
46	RF500-37A	EYEBOLT	1
47	RF500-137A	M10 HEX NUT	1
48	RF344-40	INTERNAL RETAINING RING FOR BU VALVE	1
49	RF500-25SG	GLASS SIGHT	2
50	RF500-69A	PIPE PLUG 1/8" NPT BLACK SQ.HD.	2
51	RF500-69A	PIPE PLUG 1/4" NPT BLACK SQ.HD.	4
52	RF500-81	VANE WEAR TEST ROD	1
53	RF500-29	OIL PUMP BI-DIRECTIONAL	1
54	RF344-23	OIL PUMP (RESERVOIR) COVER	1
55	RF344-23A	OIL PUMP (RESERVOIR) COVER O-RING	1
56	RF344-SHIELD	SHIELD FOR OIL PUMP 344	1
58	RF344-039	SEAL HOUSING O-RING	2


REV P4, ITEM #45A (BU VALVE SPRING) ADDED, 07/23/2018, Z.D.
 REV P3, DESIGN CHANGED (HOUSING), ITEM #48 (INTERNAL RETAINING RING) ADDED, ITEM #45 (BACK-UP VALVE RING) CHANGED, 04/19/2018, Z.D.
 REV P2, ROTOR DESIGN CHANGED (ONE PIECE), ITEM #12 (COLLAR) BECAME PART OF ROTOR, ITEM #72 (DOWEL PIN) ADDED, 01/05/2018, Z.D.

ITEM #	PART #	DESCRIPTION	QTY
60	RF500-72A	ROLL PIN 5/32 X 1-1/4 FOR OIL PUMP	1
61	RF344-19A	ROLLER BEARING	2
62	RF344-20A	WAVE SPRING	2
65	RF344-15	SEAL HOUSING DRIVE END	1
66	RF500-GB400K	KEY 1/4" x 1/4" x 1.550"	1
70	RF500-48A	HEX BOLT M8 x 25 MM	10
72	RF870-32A	DOWEL PIN, Ø.375 X 2.0 LONG	4
73	RF500-80A	OIL PUMP COUPLING	1
80	RF344-21-3A RF344-21-5A RF344-21-10A	BEARING SHIMS .003"THK BEARING SHIMS .005"THK BEARING SHIMS .010"THK	3
90	RF344-16	BACK-UP VALVE BALLAST AIR PORT COVER	1
91	RF344-63	GASKET - BALLAST COVER	1
92	RF870-71A	1-1/4" NPT STREET ELBOW	1
100	RF500-67A	M10 X 30MM	15
100A	RF120-94A	10MM LOCK WASHER	15
120	RF500-56A	M10 X 30MM SHCS	6
120A		10MM HI-COLLAR LOCK WASHER	6
130	RF344-1	344 HOUSING	1
140	RF344-60	HOUSING END CAP GASKET	2
150	RF344-3	HOUSING END CAP	1
151	RF344-3A	HOUSING END CAP NON DRIVE END	1
170A	RF344-51B	344 INNER OIL LINES	1
190	RF500-190P	BREATHER FILLER	1
560	RF344-22	SEAL HOUSING NON DRIVE END	1
607	RF500-F07	HEX BOLT M8 x 30MM	4
607A	RF120-96A	LOCK WASHER M8	14
INS	RF500-INS	INSTRUCTION TAG OIL	1
MAN	RF500-MAN	MANUAL	1
NAM	RF500-NAM	NAME PLATE	1

RCF344 PUMP

PART # RCF344

PROPRIETARY AND CONFIDENTIAL
 THE INFORMATION CONTAINED IN THIS DRAWING IS THE SOLE PROPERTY OF FRUITLAND MANUFACTURING. ANY REPRODUCTION IN PART OR AS A WHOLE WITHOUT THE WRITTEN PERMISSION OF FRUITLAND MFG. IS PROHIBITED.

	NAME	DATE		324 Leaside Avenue Stoney Creek, Ontario, CANADA L8E 2N7 Phone: (905) 662-6552 Fax: (905) 662-5412	
CREATED	Z.D.	02/27/2017		TITLE:	RCF344 DETAILED ITEMS (PARTS LIST)
CHECKED	K.A.	02/27/2017	DWG. NO.	RCF344-BOM	REV P4
UNLESS OTHERWISE SPECIFIED: DIMENSIONS ARE IN INCHES TOLERANCES: FRACTIONAL OR .X = ±.015 .XX = ±.010 .XXX = ±.005			SCALE: 1:12	WEIGHT:--	SHEET 2 OF 2
MATERIAL	--				