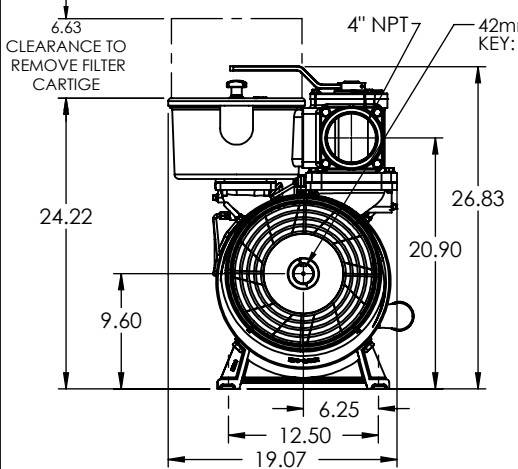


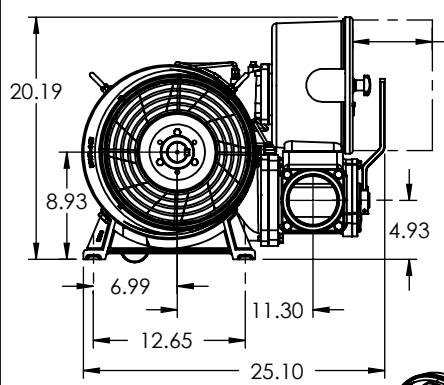
RF870-(LUF, LUFH, LUFA, LSFH, LSFA)

SHOWN: COUNTER
CLOCKWISE (LH) ROTATION TOP
MOUNT VALVE FILTER MODE

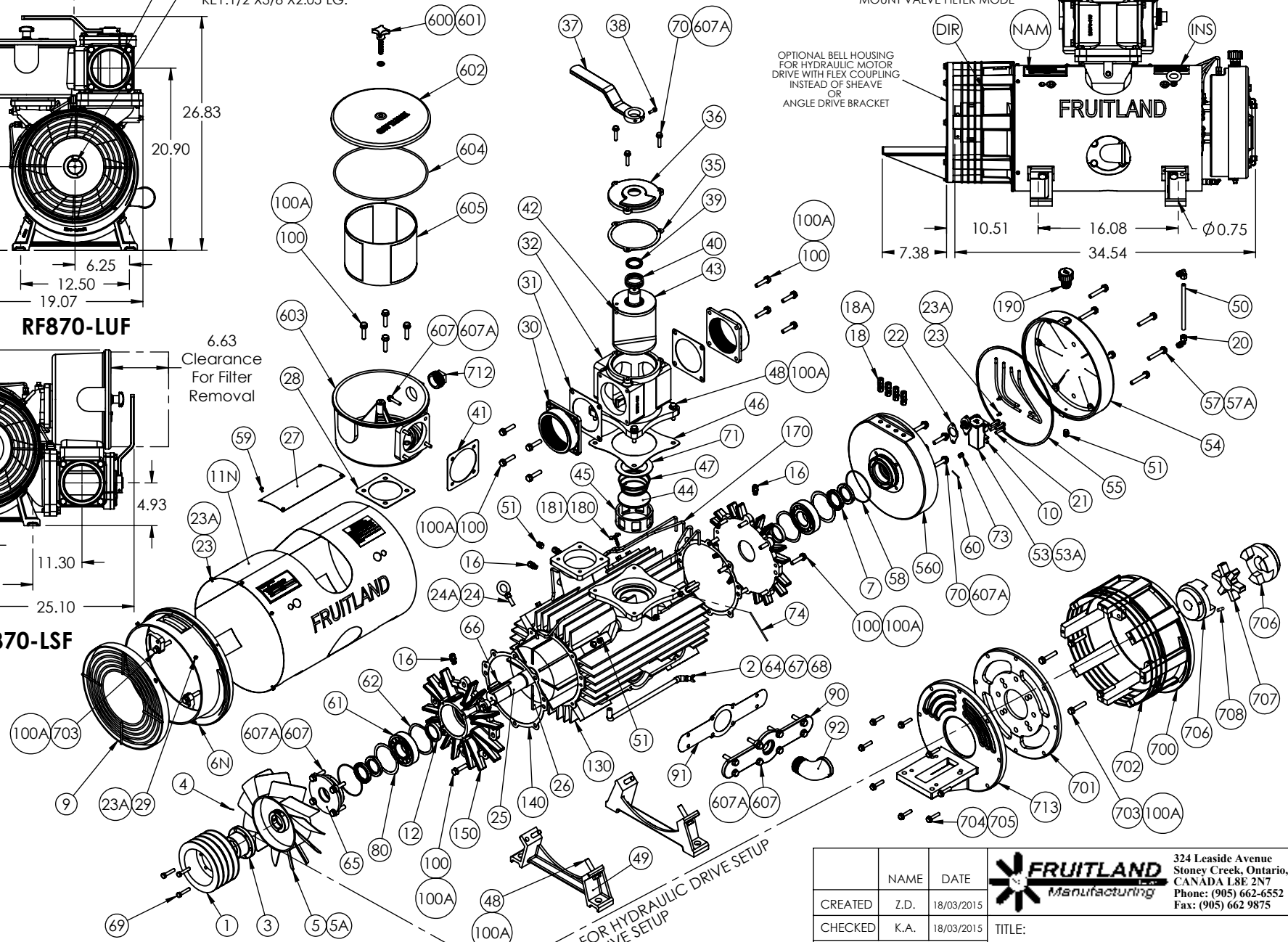
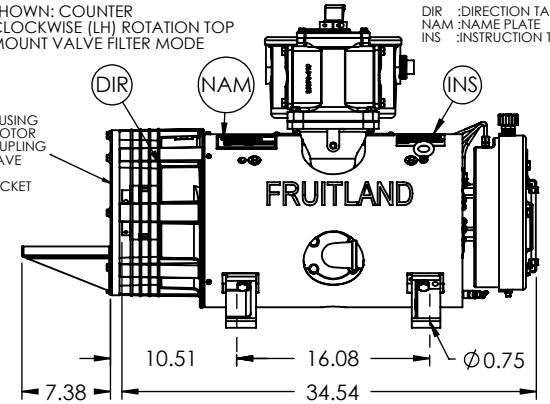
DIR : DIRECTION TAG
NAM : NAME PLATE
INS : INSTRUCTION TAG



RF870-LUF



RF870-LSF



OPTIONAL FOR HYDRAULIC DRIVE SETUP
OR ANGLE DRIVE SETUP

IMPORTANT: WHEN ORDERING SPARE PARTS ALWAYS SPECIFY MODEL AND SERIAL NUMBER OF PUMP

ON UPRIGHT PUMPS
NO SPRING (IT. 47)
IS USED IN THE BACK-UP
VALVE ASSY.

PROPRIETARY AND CONFIDENTIAL
THE INFORMATION CONTAINED IN THIS DRAWING IS THE SOLE PROPERTY OF FRUITLAND MANUFACTURING. ANY REPRODUCTION IN PART OR AS A WHOLE WITHOUT THE WRITTEN PERMISSION OF FRUITLAND MFG. IS PROHIBITED.

	NAME	DATE	<p>324 Leaside Avenue Stoney Creek, Ontario, CANADA L8E 2N7 Phone: (905) 662-6552 Fax: (905) 662 9875</p>
CREATED	Z.D.	18/03/2015	
CHECKED	K.A.	18/03/2015	TITLE:
UNLESS OTHERWISE SPECIFIED: DIMENSIONS ARE IN INCHES TOLERANCES: FRACTIONAL OR .X = ±.015 .XX = ±.010 .XXX = ±.005			RF870 DETAILED ITEMS FILTER MODEL
MATERIAL	--	SCALE: 1:10	DWG. NO. RF870-EXP WEIGHT:-- SHEET 1 OF 2