

FTM RESERVES THE RIGHT TO MAKE CHANGES WITHOUT NOTICE

DCR#:288

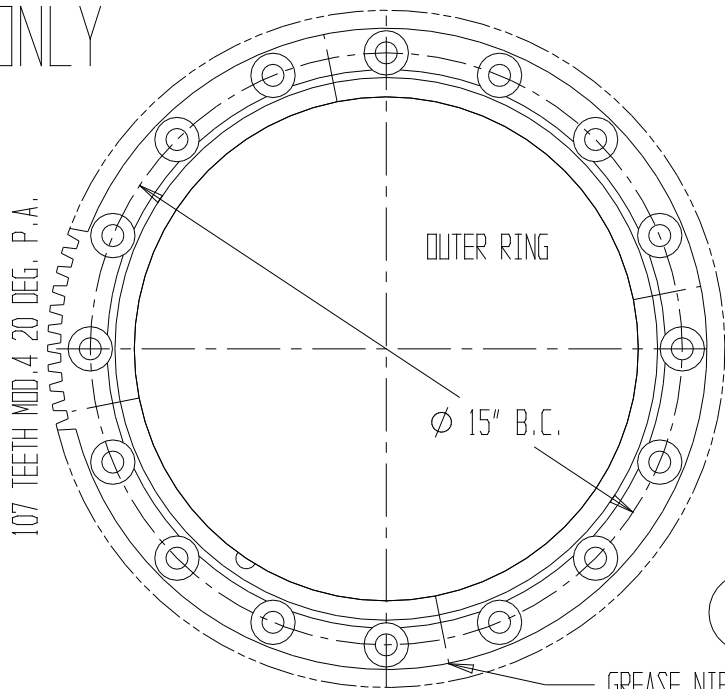
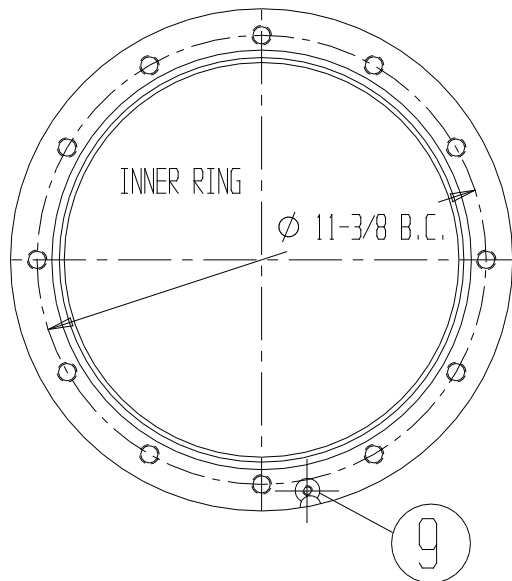
REVISIONS

REV.	DESCRIPTION	DATE	APPROVED
1	CAPACITY CORRECTED	01/17/07	HANS

MAX. RACEWAY VELOCITY 50 FT/MIN

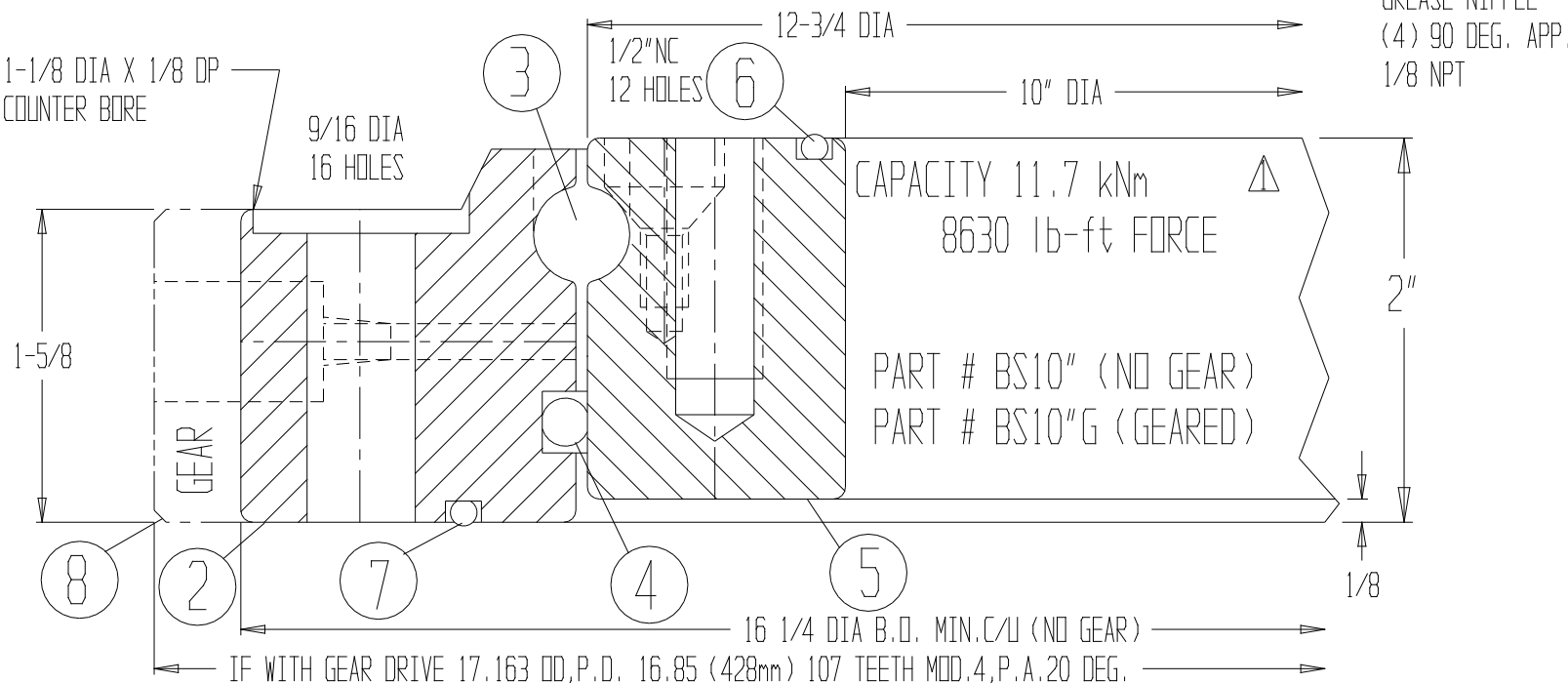
FOR GENERAL INFORMATION ONLY

CUSTOMER FAX COPY



C-1045 STEEL
 HARDENED RACEWAY

1-1/8 DIA X 1/8 DP COUNTER BORE



GREASE NIPPLE (4) 90 DEG. APP. 1/8 NPT

ITEM#	DESCRIPTION	PART #	QTY
1	GREASE NIPPLE 1/8" NPT	BS8"-1	4
2	OUTER RING	BS10"-2	1
3	BEARING BALLS	B 1/2"	80
4	"O"RING BLUNA N (.250 ACT. DIA SECT.)	BS10"-4	1
5	INNER RING	BS10"-5	1
6	TOP "O"RING (.139 ACT. DIA SECT.)	BS10"-6	1
7	BOTTOM "O"RING (.139 ACT. DIA SECT.)	BS10"-7	1
8	GEARED OUTER RING (OPTIONAL)	BS10"G-2	1
9	1/4" NC X 1/2" LG SOC. FL. HD. SCREW	BS8"-9	1

USE GRADE 8 FASTENERS LEVELS:1,2,3

FRUITLAND TOOL & MFG.

324 Leaside Ave.
 STONEY CREEK ONT.
 (905) 662-6552

TITLE: 10" & 10" GEAR ROTATING SEAL

DATE drawn:	by:	DWG.#	REV.
01/29/99	HANS	10&10G.CUC	1
DATE checked:	by:		
01/17/07	WALTER		
Sheet:	Scale:	Customer:	Computer File#:
1 of 1	FULL & 1/5	FRUITLAND TOOL & MFG.	10&10G.CUC