

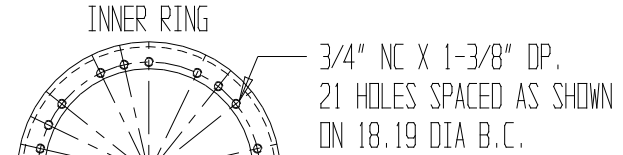
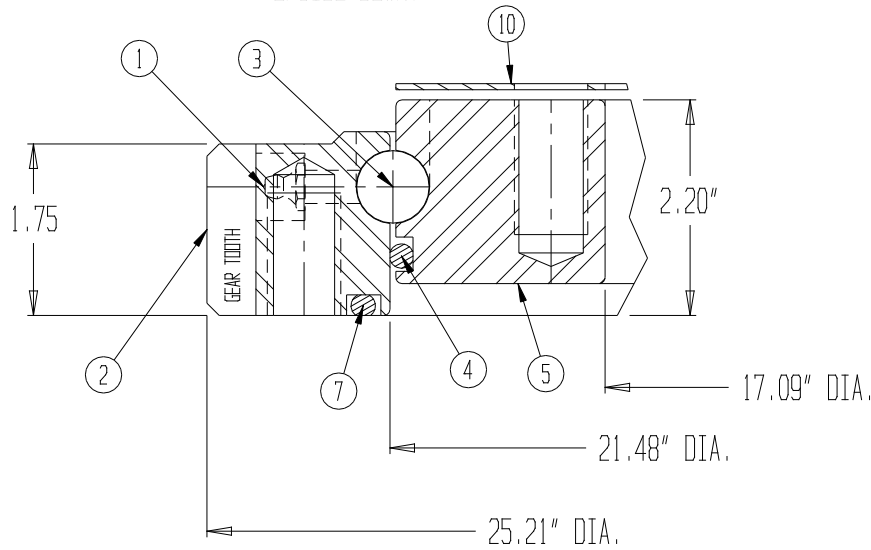
FOR GENERAL INFORMATION ONLY

CUSTOMER FAX OUT COPY

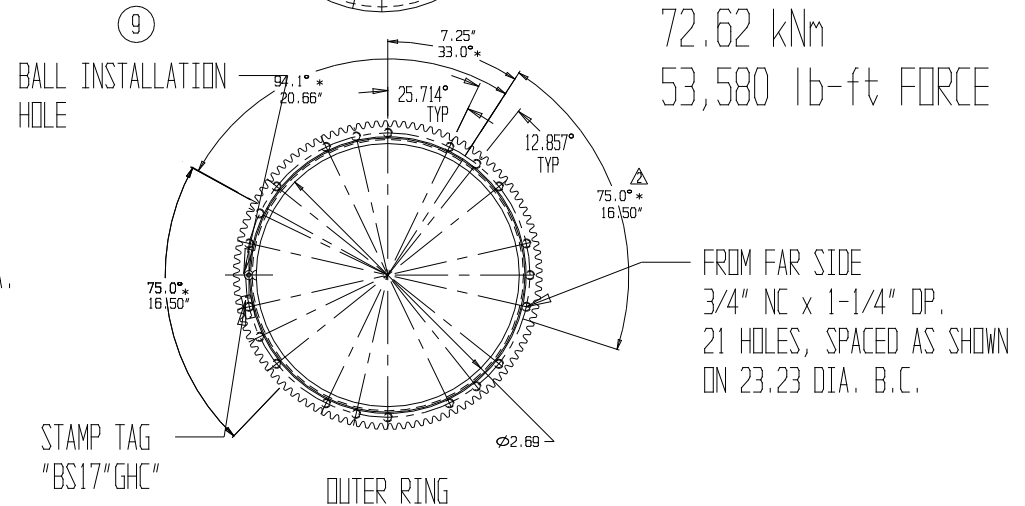
THIS UNIT IS THE SAME AS THE REGULAR 17" GEARED ROTATING SEAL, WITH THE EXCEPTION OF THE MODIFIED BOLT HOLE PATTERNS.

(SEE RECORDS 41 & 42 IN DATABASE "BOLT CIRCLE PATTERN")

CAN ALSO BE INSTALLED UPSIDE DOWN.



MAX. CAPACITY
72.62 kNm
53,580 lb-ft FORCE



GEAR: 105 TEETH, MODULE 6, 20 DEG.PA, 630mm PD.

PART # BS17" GHC

USE MODIFIED GASKET WITH ADDITIONAL HOLES

* Grease nipple position to be at base of gear cut.

REVISIONS			
REV.	DESCRIPTION	DATE	APPROVED
1	Item 3 Bearing Balls Qty 89 was 85, DWG# & Comp.F# corrected	Nov.22/05	Hans
2	Grease nipple position now specified	May 1/09	Eric
3	Ball quantity was 89 Item #26 added 72 Nylon Spacers	May 30/11	Eric

BILL OF MATERIALS			
ITEM No.	DESCRIPTION	PART No.	QUANTITY
1	GREASE NIPPLE 1/8" NPT	BS8"-1	4
2	OUTER RING (GEARED)	BS17"G-2HC	1
3	BEARING BALLS (CHROMED ALLOY STEEL)	B 3/4"	72
4	"D" RING BUNA N (.250 ACT. DIA. SECT.)	BS17"-4	1
5	INNER RING	BS17"-5HC	1
7	BOTTOM "D" RING (.250 ACT. DIA. SECT.)	BS17"G-7	1
9	3/8" NC x 5/8" LG. SDC.FL.HD. SCREW	BS17"-9	1
10	GASKET (1/16" THK.)	17IDGASHC	1
26	NYLON SPACER	NBS-750	72

- MAX. RACEWAY VELOCITY
50 Ft/Min.
- HEAT TREATED RACEWAYS
- USE GRADE 8 FASTENERS
- MAT'L: C-1045

FRUITLAND TOOL & MFG. 324 Leaside Ave. STONEY CREEK ONT. (905) 662-6552

TITLE: 17" GEARED ROTATING SEAL for: HIGH CAPACITY

DATE drawn: 12/14/00	by: Eric	DWG.# 17GHC.CUC	REV. 3
DATE checked: 11/22/05	by: Walter		
Sheet: 1 of 1	Scale: FULL & 1/8	Customer: FRUITLAND TOOL & MFG.	Computer File#: 17GHC.CUC