

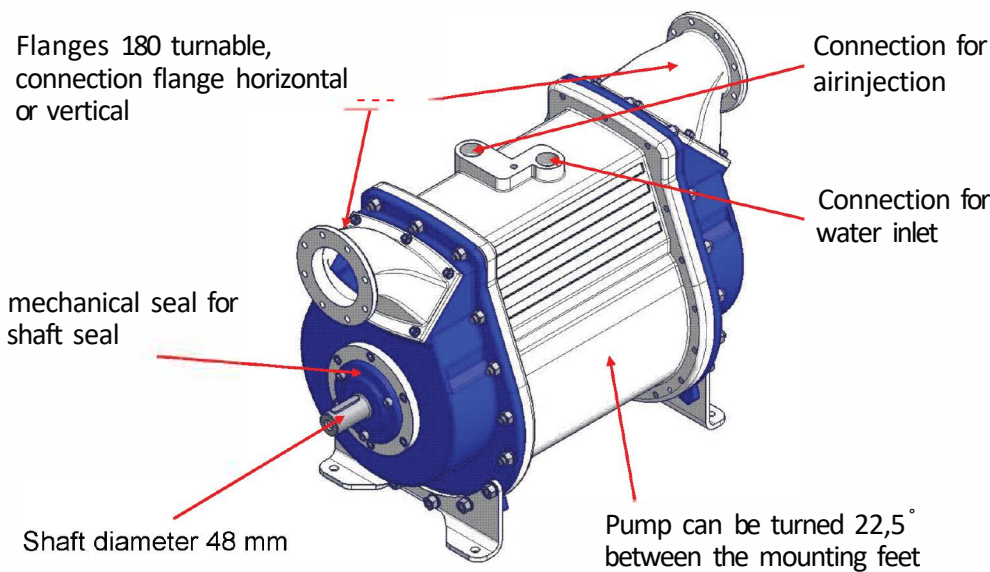


FRUITLAND



Fruitland Liquid Ring Vacuum Pump

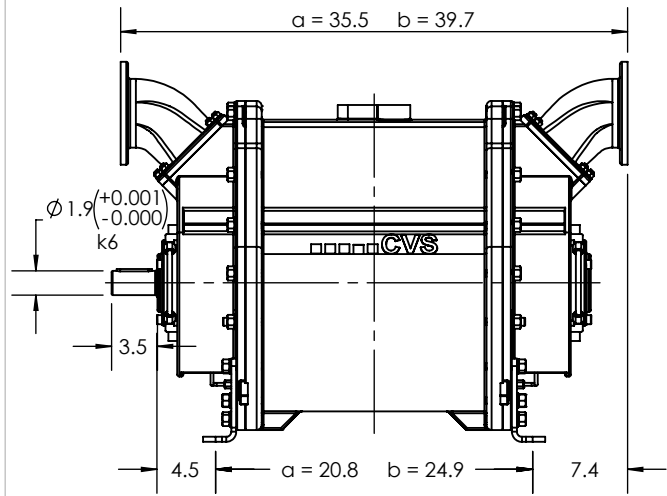
WR 2500 & WR 3100



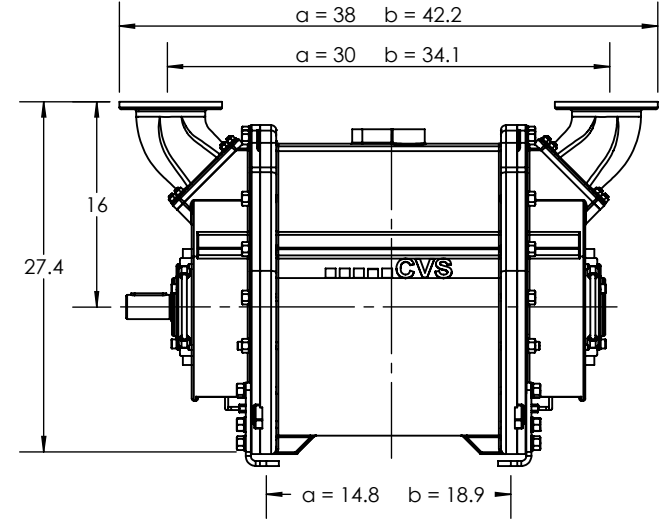
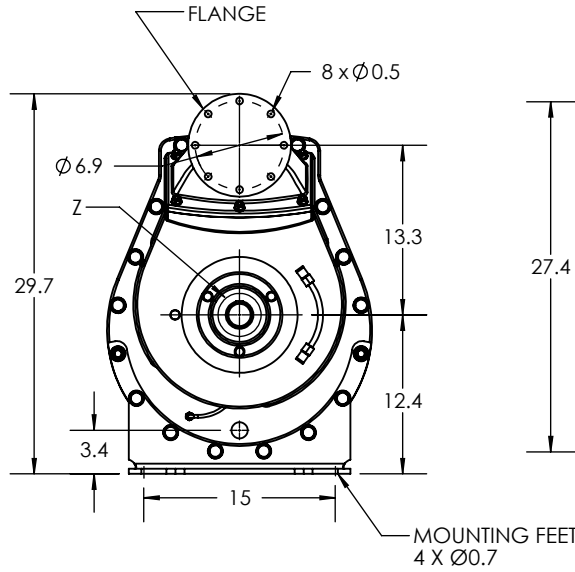
- Easy to Install
- Strong Durable Components
- Low Power Requirement
- Large Volume Flow Range
- Low Weight Aluminum Design

		VacuStar WR 2500	VacuStar WR 3100
Max. Volume Flow	m ³ h/ cfm	2500/1470	3100/1825
Max. Operating Pressure	bar g/ psig	1.5/21.3	1.5/21.3
Max. Operating Vacuum*	mbar/ HG"	130/26	130/26
Speed Range	rpm	800-1600	800-1600
Max. Power Requirement at 0.5 bar g/7.25	kW/hp	77.0/105	94.0/128
Sound Pressure Level in 7m distance at 400mbar/18 HG"	dB(A}	70	72
Weight	Kg/lb	175/385	192/422

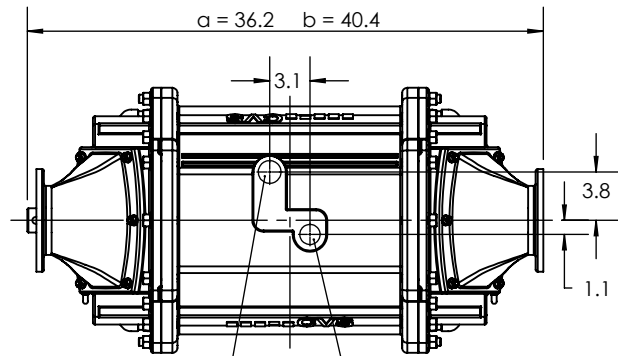
*Depending on cooling water temperature



MOUNTING FEET OUTBOARD

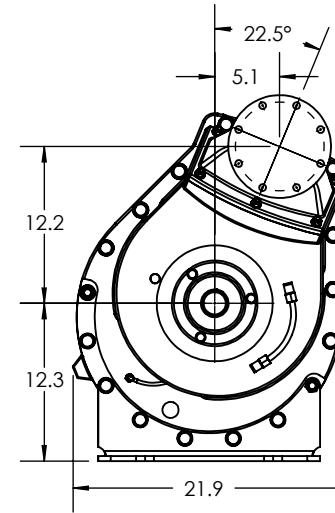
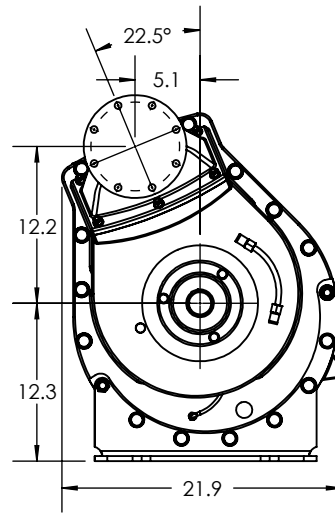


MOUNTING FEET INBOARD

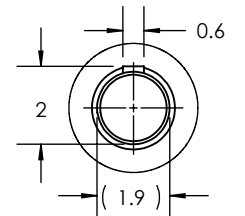


AERATION IN
Ø1-1/2" N.P.T.

SUPPLY WATER IN
Ø1-1/2" N.P.T.



Z (1:5)



a = VacuStar WR 2500
b = VacuStar WR 3100

Shown VacuStar WR 3100

PROPRIETARY AND CONFIDENTIAL
THE INFORMATION CONTAINED IN THIS DRAWING IS THE SOLE PROPERTY OF FRUITLAND MANUFACTURING. ANY REPRODUCTION IN PART OR AS A WHOLE WITHOUT THE WRITTEN PERMISSION OF FRUITLAND MFG. IS PROHIBITED.

	NAME	DATE		324 Leaside Avenue Stoney Creek, Ontario, CANADA L8E 2N7 Phone: (905) 662-6552 Fax: (905) 662-5412	
CREATED	S.P.	3/13/2013		TITLE:	WR SERIES
CHECKED	K.A.	3/14/2013	UNLESS OTHERWISE SPECIFIED: DIMENSIONS ARE IN INCHES TOLERANCES: FRACTIONAL OR .X = ±.015 .XX = ±.010 .XXX = ±.005	DWG. NO.	REV
			MATERIAL	WR - 2500 - 3100	0
			SCALE: 1:15	WEIGHT:--	SHEET 1 OF 1