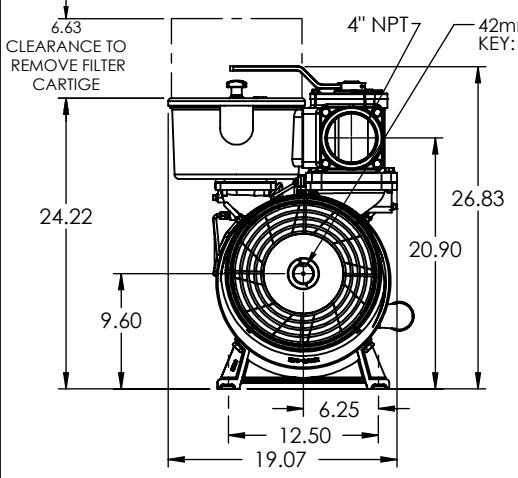


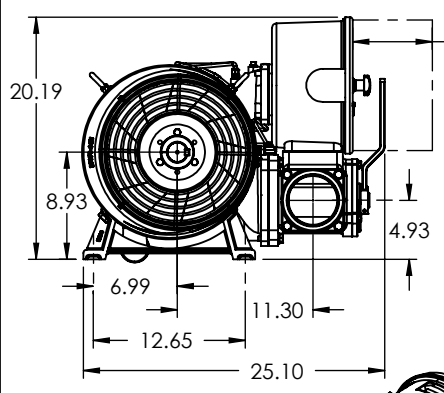
RF870-(LUF, LUFH, LUFA, LSFH, LSFA)

SHOWN: COUNTER
CLOCKWISE (LH) ROTATION TOP
MOUNT VALVE FILTER MODE

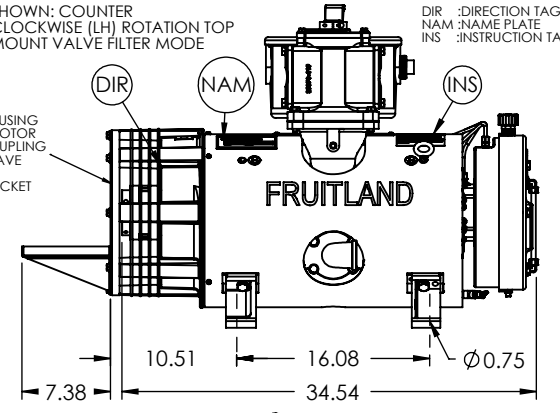
DIR : DIRECTION TAG
NAM : NAME PLATE
INS : INSTRUCTION TAG



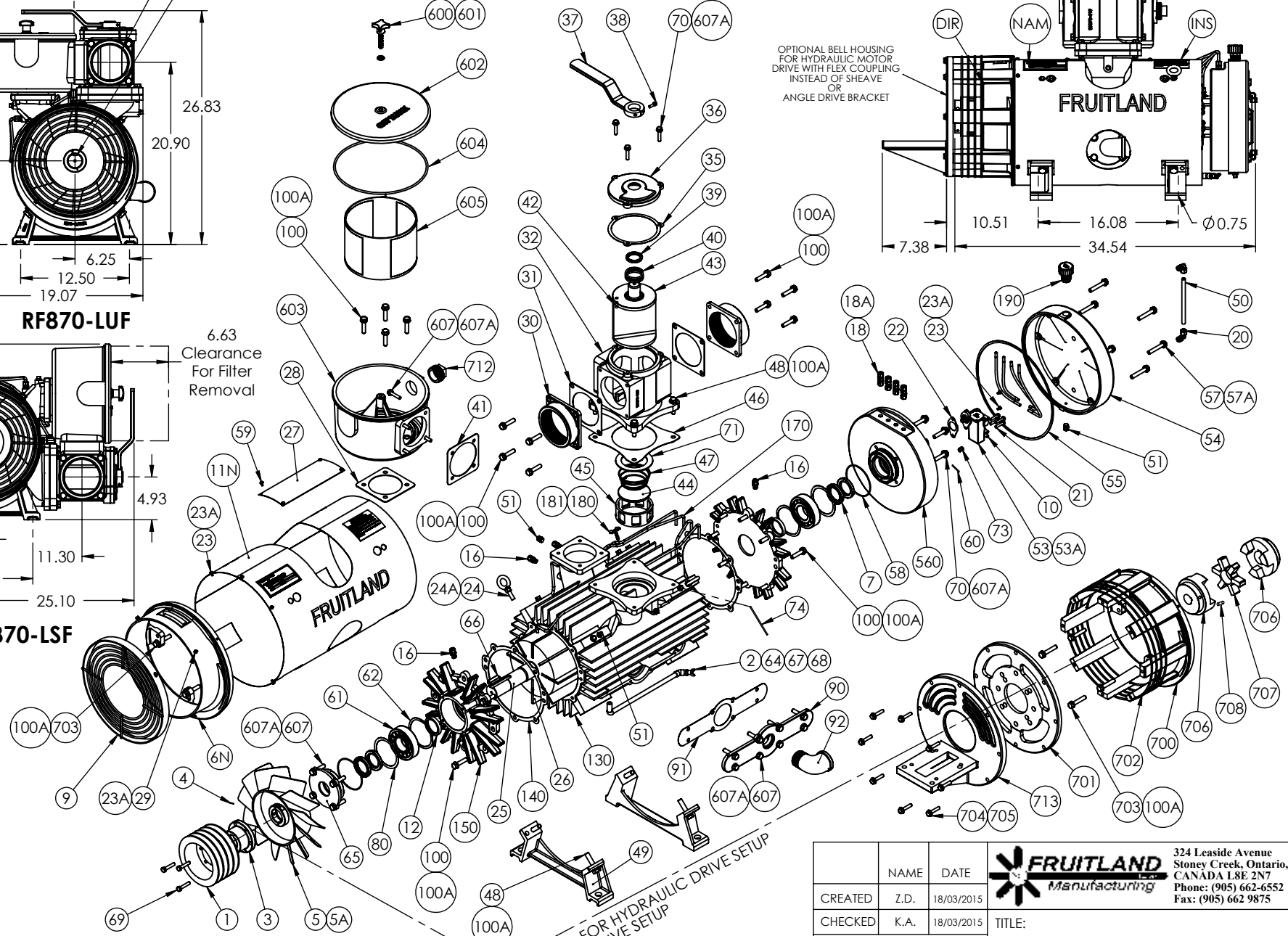
RF870-LUF



RF870-LSF



OPTIONAL BELL HOUSING
FOR HYDRAULIC MOTOR
DRIVE WITH FLEX COUPLING
INSTEAD OF SHEAVE
OR
ANGLE DRIVE BRACKET




OPTIONAL FOR HYDRAULIC DRIVE SETUP
OR ANGLE DRIVE SETUP

IMPORTANT: WHEN ORDERING SPARE PARTS ALWAYS SPECIFY MODEL AND SERIAL NUMBER OF PUMP

ON UPRIGHT PUMPS
NO SPRING (IT. 47)
IS USED IN THE BACK-UP
VALVE ASSY.

PROPRIETARY AND CONFIDENTIAL
THE INFORMATION CONTAINED IN THIS DRAWING IS THE SOLE PROPERTY OF FRUITLAND MANUFACTURING. ANY REPRODUCTION IN PART OR AS A WHOLE WITHOUT THE WRITTEN PERMISSION OF FRUITLAND MFG. IS PROHIBITED.


	NAME	DATE	 324 Leaside Avenue Stoney Creek, Ontario, CANADA L8E 2N7 Phone: (905) 662-6552 Fax: (905) 662 9875	
CREATED	Z.D.	18/03/2015		
CHECKED	K.A.	18/03/2015	TITLE:	
UNLESS OTHERWISE SPECIFIED: DIMENSIONS ARE IN INCHES TOLERANCES: FRACTIONAL OR .X = ±.015 .XX = ±.010 .XXX = ±.005			RF870 DETAILED ITEMS FILTER MODEL	
MATERIAL		--	DWG. NO.	REV
			RF870-EXP	0
			SCALE: 1:10	WEIGHT:--
			SHEET 1 OF 2	

ITEM #	PART #	DESCRIPTION	QTY.
1	RF500-38	6" SHEAVE 4 GROOVE B SECTION	1
2	RF500-82A	DRAIN PLUG /VALVE 1/4" NPT	1
3	SK 42	SHEAVE BUSHING SK 42 MM	1
4	RF500-48B	5/16"NF X 7/8"LG.SHCS OLAIN	1
5	RF500-33L *	FAN ASSY-L.H.	1
5A	RF500-33R	FAN ASSY-R.H.	1
6N	RF870-34N	FAN SHROUD (NEW STYLE)	1
7	RF500-225A	OIL SEAL	4
9	RF500-30	FAN GUARD	1
10	250-6	SOLDER FITTING OIL PUMP OUTLET	4
11N	RF870-46U *	HOUSING SHROUD - LUF	1
12	RF500-8	COLLAR (FINISH GRIND)	2
16	RF500-50A	COMPRESSION FITTING 1/8" FOR 1/4"	4
18	RF500-52A	U-SEAL WASHER (OIL TANK BULKHEAD)	4
18A	U-SEAL	U-SEAL WASHER (OIL TANK BULKHEAD)	4
20	RF500-32A	SIGHT TUBE ELBOW FITTING	2
21	250-6A	HOLLOW BOLT M-6 FOR OIL PUMP	4
22	RF500-27	GASKET - OIL PUMP	1
23	RF500-28A	HEX BOLT M6 X 16MM	7
23A	RF500-280A	LOCKWASHER M6	11
24	RF500-37A	EYEBOLT	2
24A	RF500-137A	M10 HEX NUT	2
25	RF870-4	870 ROTOR ASSEMBLY	1
26	RF870-6A	VANES	8
27	RF870-47	PLATE (10" X4") SHROUD PLATE	1
28	RF870-61	GASKET - PUMP (INTAKE FL. GASKET)	1
29	RF120-102A	HEX BOLT M6 X 10, FAN GUARD	4
30	RF870-4NPT	END CAP (DIVERter 4" NPT FLANGES)	2
31	RF870-65	GASKET-DIVERter FLG. (4" NPTFL)	2
32	RF870-11F	DIVERter HOUSING	1
35	RF120-127	GASKET-DIVERter HOUSING CAP	1
36	RF120-12	DIVERter HOUSING CAP	1
37	RF500-13F	LEVER ASSEMBLY-FILTER PUMP	1
38	RF500-130A	S.H.C. SCREW 1/4"-28 X 3/4	1
39	RF500-62A	OIL SEAL	1
40	RF500-14A	DIVERter VANE SPRING	1
41	RF870-64	GASKET, DIVERter-FILTER	1
42	RF500-64A	SPLIT PIN 5/16"X1-1/4"	1
43	RF870-10F	DIVERter VALVE VANE	1
44	RF870-BUVD	BACK-UP VALVE PLATE (DISC)	1
45	RF870-BUVC	BACK-UP VALVE SEAT (CAGE)	1

ITEM #	PART #	DESCRIPTION	QTY
46	RF870-62	GASKET, PUMPOUTLET(EXHAUST FLANGE GASKET)	1
47	RF500-66A	BACK-UP VALVE SPRING	1
48	RF120-48A	HEX BOLT M10 X 40MM - PLAIN	8
49	RF870-9	HOUSING BASE	2
50	RF800-25A	SIGHT HOSE	1
51	RF500-69A	PIPE PLUG 1/4" NPT BLACK SQ.HD.	7
53	RF500-29	OIL PUMP BI-DIRECTIONAL	1
54	RF800-189	800 OIL PUMP (RESERVOIR) COVER	1
55	RF800-191	GASKET - PUMP (RESERVOIR) COVER	1
57	RF500-24A	HEX BOLT M8 X 90MM - PLAIN	6
57A	RF500-221A	ALUM. FLAT WASHER	6
58	RF870-22A	SEAL HOUSING O-RING	2
59	RF500-71A	SELF DRILLING SCREW	9
60	RF500-72A	ROLL PIN 5/32 X 1-1/4 FOR OIL PUMP	1
61	RF500-19A	ROLLER BEARING	2
62	RF870-20A	WAVE SPRING	2
64	RF250-32A	ELBOW 90 B FITTING	1
65	RF870-15	SMALL SEAL HOUSING DRIVE END	1
66	RF500-74	KEY 3/8" x 1/2" x 2"	1
67	NIPPLE 1/4" x 11"	1/4" x 11" NIPPLE	1
68	ELBOW 45 DEG	45 DEG. ELBOW	1
69	RF500-0	BOLT 5/16" NC X 1-1/2 & LW incld w item 3	3
70	RF500-48A	HEX BOLT M8 x 25	19
71	RF870-BUVR	BACK-UP VALVE RING	1
73	RF500-80A	OIL PUMP COUPLING	1
74	RF500-81	VANE WEAR TEST ROD	1
80	RF870-21-3A RF870-21-5A RF870-21-10A RF870-21-12A	BEARING SHIMS .003"THK BEARING SHIMS .005"THK BEARING SHIMS .010"THK BEARING SHIMS .012"THK	4
90	RF870-16	BACK-UP VALVE BALLAST AIR PORT COV.	1
91	RF870-63	GASKET-BALLAST COVER	1
92	CVSP-3100-1.5" FM90	ELBOW 1.5" NPT STREET.	1
100	RF500-67A	M10 X 30MM HEX BOLT	24
100A	RF120-94A	10MM LOCK WASHER	36

ITEM #	PART #	DESCRIPTION	QTY
130	RF870-1	870 HOUSING	1
140	RF870-60	GASKET HOUSING CAP	2
150	RF870-3	HOUSING END CAP	2
170	RF870-51A *	OIL LINE SET FOR 870 PUMPS	1
180	#10X1-1/4" P/H ROB	#10 ROBERTSON SCREW1-1/4	1
181	RF120-52	OIL LINE CLAMP-ALUMINUM (TS035-19-44)	1
190	RF500-190P	BREATHER FILLER	1
560	RF870-22	SEAL HOUSING NO DRIVE END	1
600	RF500-F00	STAR KNOB 55mm	1
601	RF500-F01	COPPER WASHER	1
602	RF500-FL	FILTER BOX LID	1
603	RF870-7-FB	FILTER BOX	1
604	RF500-04	'O' RING	1
605	RF500-FC	ST.ST. FILTER CARTRIDGE	1
607	RF500-F07	HEX BOLT M8 X 30MM	4
607A	RF120-96A	LOCK WASHER M8	23
700	RF870-BH	HYD. DRIVE BELL HOUSING	1
701	RF500-MP	MOUNTING PLATE	1
702	RF500-GR	GUARD RINGS (1 PCS.)	4
703	RF500-703	HEX BOLT M10 X 50MM ZINC PLATED	4
704	M8X35HEX	BOLT M8 X 35 MM	8
705	M8 F/W	M8 FLAT WASHER ZINC PLATED	8
706	F190-XXX	F190 FLANGES 42 MM & SPECIFY OTHER	2
707	F130-INS	130 COUPLING INSERT (FRUITLAND)	1
708	RF120-134	SET SCREW 3/8" NC	2
712	RF500-240	PIPE PLUG - 1-1/2 NPT	1
713	RF500-ADA2	ANGLE DRIVE ADAPTOR PLATE	1
INS	RF500-INS	INSTRCTION TAG OIL	1
MAN	RF500-MAN	MANUAL	1
DIR	RF500-DIR	DIRECTION TAG	1
NAM	RF500-NAM	NAME PLATE	1

PROPRIETARY AND CONFIDENTIAL
 THE INFORMATION CONTAINED IN THIS DRAWING IS THE SOLE PROPERTY OF **FRUITLAND MANUFACTURING**. ANY REPRODUCTION IN PART OR AS A WHOLE WITHOUT THE WRITTEN PERMISSION OF FRUITLAND MFG. IS PROHIBITED.

	NAME	DATE		324 Leaside Avenue Stoney Creek, Ontario, CANADA L8E 2N7 Phone: (905) 662-6552 Fax: (905) 662 9875	
CREATED	Z.D.	18/03/2015			
CHECKED	K.A.	18/03/2015			
UNLESS OTHERWISE SPECIFIED: DIMENSIONS ARE IN INCHES			TITLE: RF870 DETAILED ITEMS FILTER MODEL (PARTS LIST)		
TOLERANCES: FRACTIONAL OR .X = ±.015 .XX = ±.010 .XXX = ±.005			DWG. NO. RF870-EXP		REV 0
MATERIAL --		SCALE: 1:10	WEIGHT:--	SHEET 2 OF 2	