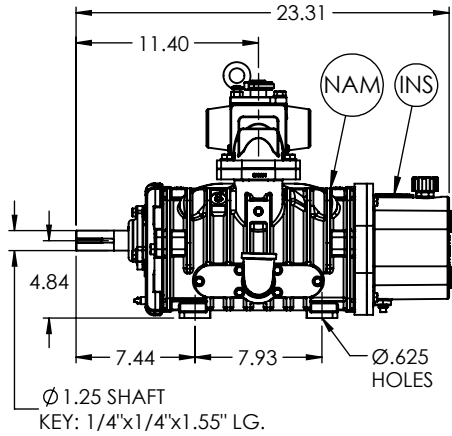
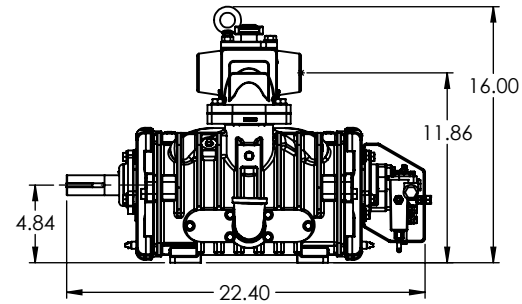
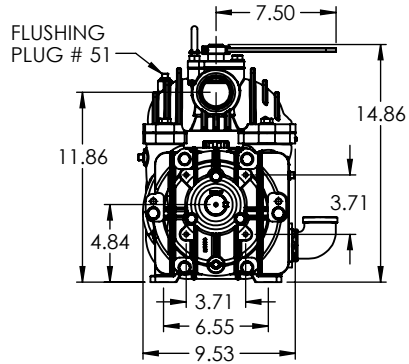


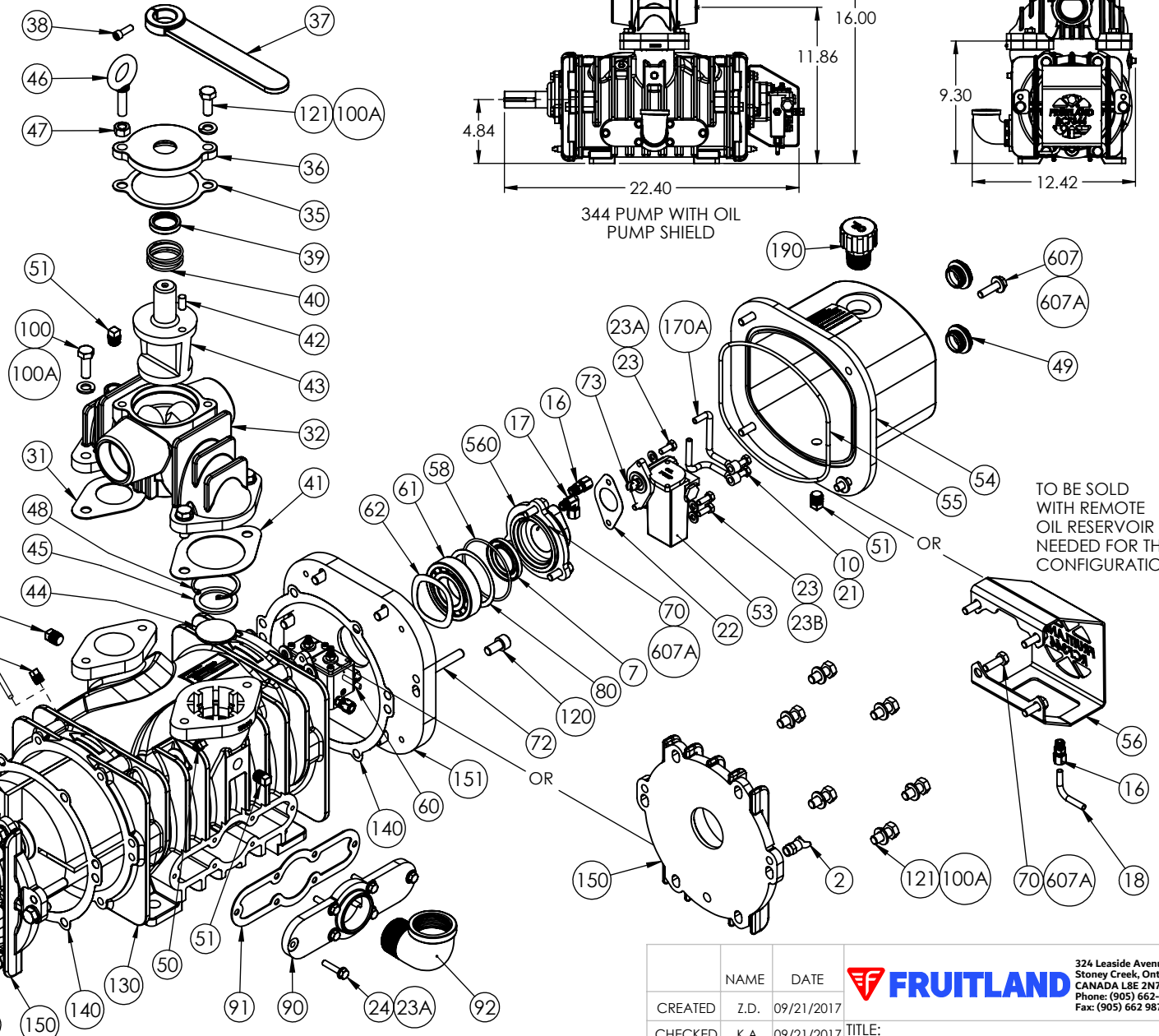
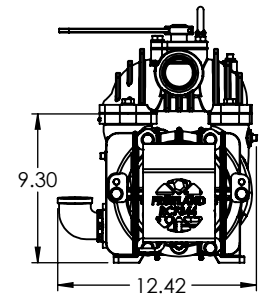
# 344 PUMP



344 PUMP WITH OIL PUMP COVER



344 PUMP WITH OIL PUMP SHIELD



TO BE SOLD WITH REMOTE OIL RESERVOIR NEEDED FOR THIS CONFIGURATION

**PART # W/ OIL RESERVOIR  
344L (L.H.) & 172R (R.H.)**

**PART # W/ OIL SHIELD  
344L-EO (L.H.) & 344R-EO (R.H.)**

**PROPRIETARY AND CONFIDENTIAL**  
THE INFORMATION CONTAINED IN THIS DRAWING IS THE SOLE PROPERTY OF FRUITLAND MANUFACTURING. ANY REPRODUCTION IN PART OR AS A WHOLE WITHOUT THE WRITTEN PERMISSION OF FRUITLAND MFG. IS PROHIBITED.

NAME	DATE		324 Leaside Avenue Stoney Creek, Ontario, CANADA L8E 2N7 Phone: (905) 662-6552 Fax: (905) 662-9875	
CREATED	Z.D. 09/21/2017		TITLE:	344 VACUUM PUMP - DETAILED ITEMS
CHECKED	K.A. 09/21/2017	DWG. NO.	344-BOM	
UNLESS OTHERWISE SPECIFIED: DIMENSIONS ARE IN INCHES TOLERANCES: FRACTIONAL OR .X = ±.015 .XX = ±.010 .XXX = ±.005		SCALE: 1:12	WEIGHT:--	SHEET 1 OF 2
MATERIAL	--			REV 1

REV 0, ITEM #45A (BU VALVE SPRING) REMOVED & BOM UPDATED, 01/03/2023, I.P., DCR #933, REV 1: REMOVED "RCF" FROM ALL PART #S & DWG. #S, 01/12/2023, I.P.


ITEM#	PART #	DESCRIPTION	QTY.
2	RF500-82A	DRAIN PLUG / VALVE - 1/4" NPT	1
7	RF344-225A	OIL SEAL	3
10	250-6	SOLDER FITTING - OIL PUMP OUTLET	4
16	RF500-50A	COMPRESSION FITTING - 1/8" NPT x 1/4" TUBE - BRASS	1
17	RF870-72A	ELBOW COMPRESSION 1/8" NPT- 1/4" TUBE - BRASS	1
21	250-6A	HOLLOW BOLT - M6 - FOR OIL PUMP	2
22	RF500-27	GASKET - OIL PUMP	1
23	RF500-28A	HEX BOLT - M6 x 1.0mm x 16mm LONG - Z.P.	4
23A	RF500-280A	LOCKWASHER (SPLIT) - M6 - Z.P.	8
23B	RF344-18A	FLAT WASHER - M6 - COPPER	2
24	RF500-49A	HEX BOLT - M6 x 1.0mm x 20mm LONG	6
25	RF344-4	344 ROTOR ASSEMBLY	1
26	RF344-6A	VANES	4
31	RF250-238	GASKET - DIVERTER INTAKE FLANGE	1
32	RF250-240	DIVERTER HOUSING	1
35	RF250-248	GASKET - DIVERTER HOUSING CAP	1
36	RF250-241	DIVERTER HOUSING CAP	1
37	RF250-250	DIVERTER VALVE LEVER ASSEMBLY	1
38	RF500-130A	S.H.C.S. - 1/4"-28 NF x 3/4" LONG	1
39	RF250-244A	OIL SEAL - DIVERTER VANE	1
40	RF250-246	DIVERTER VANE SPRING	1
41	RF250-251	GASKET - DIVERTER EXHAUST FLANGE	1
42	RF250-247A	SPRING PIN - Ø5/16" x 5/8" - DIVERTER VANE	1
43	RF250-243	DIVERTER VANE	1
44	RF344-BUVD	BACK-UP VALVE DISC	1
45	RF344-BUVR	BACK-UP VALVE RING	1
46	RF500-37A	EYEBOLT - M10	1
47	RF500-137A	HEX NUT - M10 x 1.5mm - Z.P.	1
48	RF344-40	INTERNAL RETAINING RING FOR BU VALVE	1
49	RF500-25SG	GLASS SIGHT	2
50	RF500-69A	PIPE PLUG 1/8" NPT BLACK SQ.HD.	2
51	RF500-69A	PIPE PLUG 1/4" NPT BLACK SQ.HD.	4
52	RF500-81	VANE WEAR TEST ROD	1
53	RF500-29	OIL PUMP BI-DIRECTIONAL	1
54	RF344-23	OIL PUMP (RESERVOIR) COVER	1
55	RF344-23A	O-RING - OIL PUMP (RESERVOIR) COVER	1
56	RF344-SHIELD	344 SHIELD FOR OIL PUMP	1
58	RF344-039	O-RING - SEAL HOUSING	2

ITEM #	PART #	DESCRIPTION	QTY
60	RF500-72A	ROLL PIN - Ø5/32" x 1-1/4" LONG FOR OIL PUMP	1
61	RF344-19A	ROLLER BEARING	2
62	RF344-20A	WAVE SPRING	2
65	RF344-15	SEAL HOUSING - DRIVE END	1
66	RF500-GB400K	KEY - 1/4" x 1/4" x 1.550"	1
70	RF500-48A	HEX BOLT - M8 x 1.25mm - 25mm - Z.P.	10
72	RF870-32A	DOWEL PIN - Ø3/8" x 2.0" LONG	4
73	RF500-80A	OIL PUMP COUPLING	1
80	RF344-21-3A RF344-21-5A RF344-21-10A	BEARING SHIMS .003"THK BEARING SHIMS .005"THK BEARING SHIMS .010"THK	3
90	RF344-16	BACK-UP VALVE BALLAST AIR PORT COVER	1
91	RF344-63	GASKET - BALLAST COVER	1
92	RF870-71A	90° STREET ELBOW - 1-1/4" NPT	1
100	RF500-67A	HEX BOLT - M10 x 1.5mm x 30mm LONG - Z.P.	4
100A	RF120-94A	LOCK WASHER (SPLIT) - M10 - Z.P.	18
120	HBM-100-200	S.H.C.S. - M10 x 1.5mm x 20mm LONG	6
121	RF500-59A	HEX BOLT - M10 x 1.5mm x 25mm LONG - Z.P.	14
130	RF344-1	344 HOUSING	1
140	RF344-60	GASKET - HOUSING END CAP	2
150	RF344-3	HOUSING END CAP	1
151	RF344-3A	HOUSING END CAP - NON-DRIVE END	1
170A	RF344-51B	344 INNER OIL LINES	1
190	RF500-190P	BREATHER FILLER CAP	1
560	RF344-22	SEAL HOUSING - NON-DRIVE END	1
607	RF500-F07	HEX BOLT - M8 x 1.25mm x 30mm - Z.P.	4
607A	RF120-96A	LONG WASHER (SPLIT) - M8 - Z.P.	14
INS	RF500-INS	INSTRUCTION TAG OIL	1
MAN	RF500-MAN	MANUAL	1
NAM	RF500-NAM	NAME PLATE	1

**PART # W/ OIL RESERVOIR  
344L (L.H.) & 172R (R.H.)**

**PART # W/ OIL SHIELD  
344L-EO (L.H.) & 344R-EO (R.H.)**

CHANGED FROM REV. P4 TO REV. 0 - 01/03/2023

	NAME	DATE	 <b>324 Leaside Avenue</b> <b>Stoney Creek, Ontario,</b> <b>CANADA L8E 2N7</b> <b>Phone: (905) 662-6552</b> <b>Fax: (905) 662-9875</b>
CREATED	Z.D.	02/27/2017	
CHECKED	K.A.	02/27/2017	TITLE: 344 VACUUM PUMP DETAILED ITEMS (PARTS LIST)
UNLESS OTHERWISE SPECIFIED: DIMENSIONS ARE IN INCHES TOLERANCES: FRACTIONAL OR .X = ±.015 .XX = ±.010 .XXX = ±.005			DWG. NO. 344-BOM
MATERIAL			REV 1
SCALE: 1:12		WEIGHT:--	SHEET 2 OF 2

**PROPRIETARY AND CONFIDENTIAL**  
THE INFORMATION CONTAINED IN THIS DRAWING IS THE SOLE PROPERTY OF **FRUITLAND MANUFACTURING**. ANY REPRODUCTION IN PART OR AS A WHOLE WITHOUT THE WRITTEN PERMISSION OF FRUITLAND MFG. IS PROHIBITED.