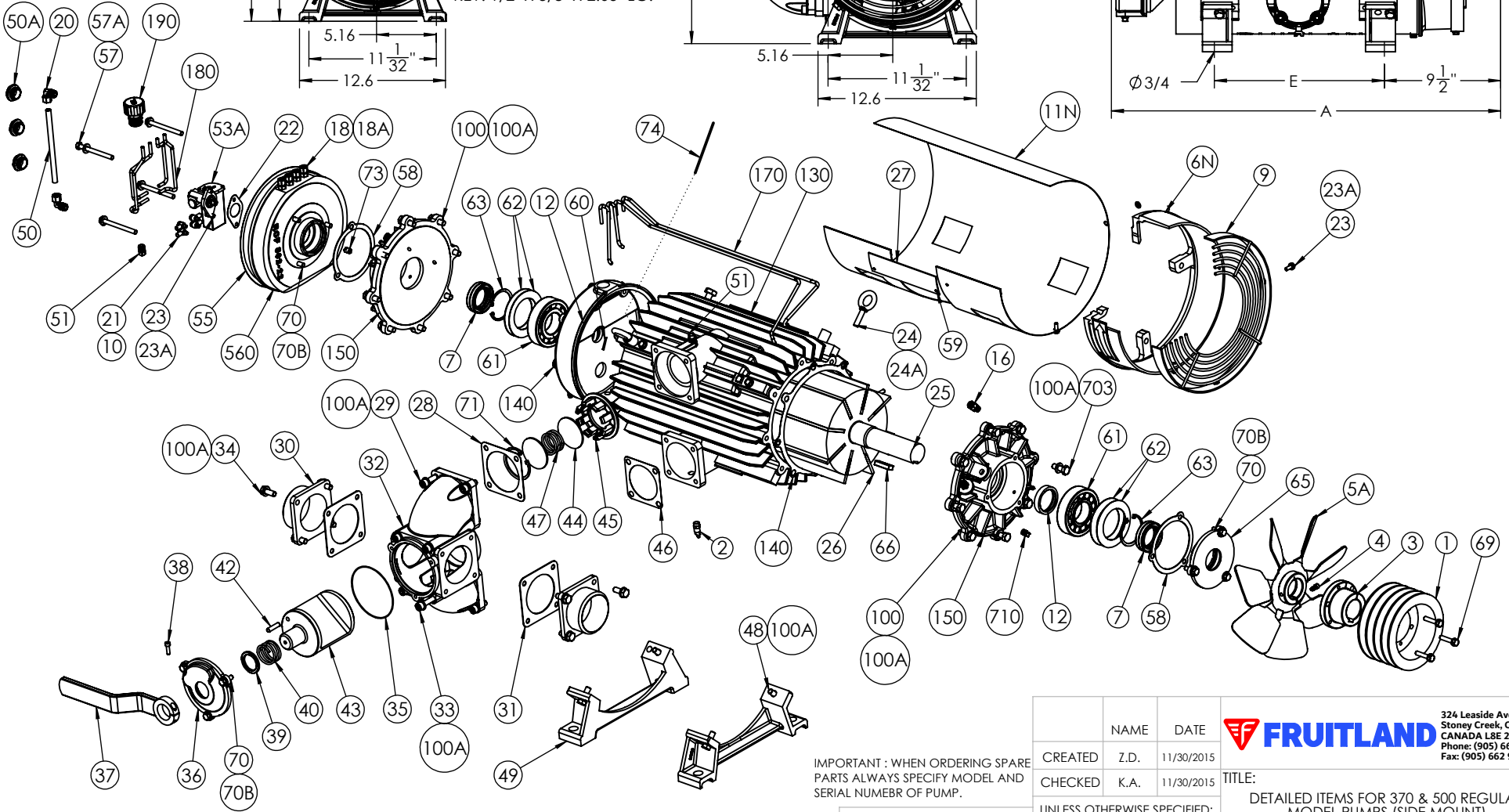
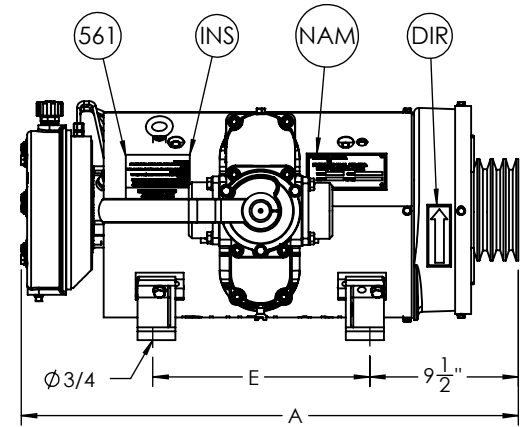
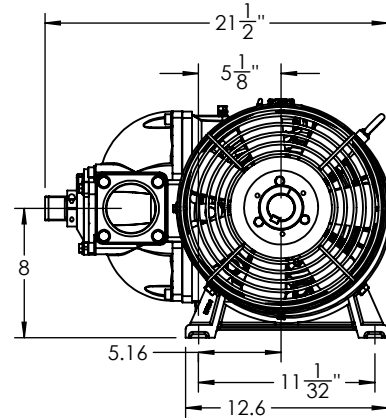
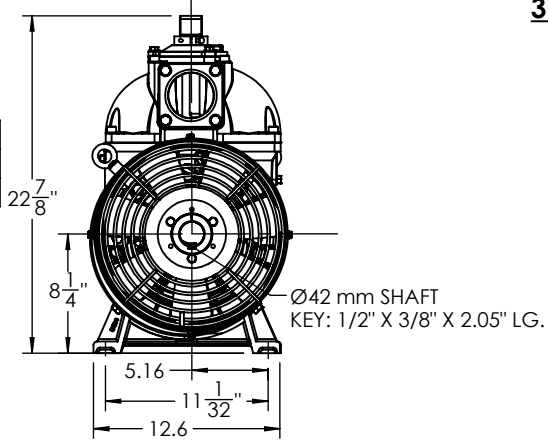


NAM : NAME PLATE
 DIR : DIRECTION TAG
 INS : INSTRUCTION TAG
 561 : POP RIVETS

370LS & 500LS (370LU & 500LU)

TYPE	A	E
370	28-1/2"	10-1/2"
500	31-1/2"	13-1/2"

SIDE MOUNT MODEL SHOWN
 AVAILABLE IN CLOCKWISE R.H
 OR COUNTERCLOCKWISE L.H



IMPORTANT : WHEN ORDERING SPARE PARTS ALWAYS SPECIFY MODEL AND SERIAL NUMBR OF PUMP.

PROPRIETARY AND CONFIDENTIAL

THE INFORMATION CONTAINED IN THIS DRAWING IS THE SOLE PROPERTY OF FRUITLAND MANUFACTURING. ANY REPRODUCTION IN PART OR AS A WHOLE WITHOUT THE WRITTEN PERMISSION OF FRUITLAND MFG. IS PROHIBITED.

THIS LAY-OUT IS FOR GENERAL INFORMATION ONLY & MAY BE UPDATED BY FM AT ANYTIME WITHOUT NOTICE.

	NAME	DATE	 <small>324 Leaside Avenue Stoney Creek, Ontario, CANADA L8E 2N7 Phone: (905) 662-6552 Fax: (905) 662-9875</small>
CREATED	Z.D.	11/30/2015	
CHECKED	K.A.	11/30/2015	TITLE: DETAILED ITEMS FOR 370 & 500 REGULAR MODEL PUMPS (SIDE MOUNT)
UNLESS OTHERWISE SPECIFIED: DIMENSIONS ARE IN INCHES TOLERANCES: FRACTIONAL OR .X = ±.015 .XX = ±.010 .XXX = ±.005			DWG. NO. 370-500-LS-BOM
MATERIAL	--	SCALE: 1:48	WEIGHT:--
			REV 4

DCR# 492, REV 2, SOLIDWORKS UPDATE, 04/03/2012, F.H.
 DCR# 575, REV 3, UPDATED ITEM NUMBERS, 7/10/2014 K.A.
 DCR# 993, REV 4, VALVE CAP GASKET CHANGED TO O-RING, REMOVED "RCF" FROM PART #S, 01/12/2023, J.P.


ITEM #	PART #	DESCRIPTION	QTY.
1	RF500-38	6" SHEAVE 4 GROOVE B SECTION	1
2	RF500-82A	DRAIN PLUG VALVE - 1/4" NPT	1
3	SK 42	SHEAVE BUSHING SK 42mm	1
4	RF500-48B	5/16" NF x 7/8" LG. SHCS - PLAIN	1
5	RF500-33L *	FAN ASSEMBLY - L.H.	1
5A	RF500-33R *	FAN ASSEMBLY - R.H.	1
6N	RF500-34N	FAN SHROUD (NEW STYLE)	1
7	RF500-225A	OIL SEAL - ROTOR SHAFT	4
9	RF500-30	FAN GUARD	1
10	250-6	SOLDER FITTING - OIL PUMP OUTLET	4
11N	RF500-46U *	HOUSING SHROUD	1
12	RF500-8	COLLAR (FINISH GRIND)	2
16	RF500-50A	1/8" NPT COMPRESSION FITTING	4
18	RF500-52A	BULKHEAD FITTING	4
18A	U-SEAL	U-SEAL WASHER (OIL TANK BULKHEAD)	4
20	RF500-32A	SIGHT TUBE ELBOW FITTING	2
21	250-6A	HOLLOW BOLT - M6	4
22	RF500-27	GASKET - OIL PUMP	1
23	RF500-28A	HEX BOLT - M6 x 16mm - Z.P.	6
23A	RF500-280A	LOCKWASHER M6	10
24	RF500-37A	EYEBOLT - M10	2
24A	RF500-37S	EYEBOLT SPACER - 10mm	2
25	RF500-4	ROTOR ASSEMBLY	1
26	RF500-6A	VANES	8
27	RF500-47	SHROUD PLATE (7.5" x 3.4")	1
28	RF500-55	GASKET - PUMP INLET	1
29	RF500-56A	S.H.C.S. - M10 x 30mm	4
30	RF500-18	DIVERTER END CAP	2
31	RF500-57	GASKET - DIVERTER END CAPS	2
32	RF500-11	DIVERTER HOUSING	1
33	RF500-58A	S.H.C.S. - M10 x 150mm	4
34	RF500-59A	HEX BOLT - M10 x 25mm - PLAIN	8
35	RF500-12-OR	O-RING - VALVE CAP	1
36	RF500-12	DIVERTER VALVE CAP	1
37	RF500-13	DIVERTER LEVER ASSEMBLY	1
37B	RF500-13F	LEVER ASSEMBLY - FILTER PUMP	1
38	RF500-130A	SHCS - 1/4"-28 x 3/4"	1
39	RF500-62A	OIL SEAL - DIVERTER VANE	1
40	RF500-14A	DIVERTER VANE SPRING	1
41	RF500-65	GASKET - FILTER TO DIVERTER	1
42	RF500-64A	SPLIT PIN - Ø5/16" x 1-1/4"	1
43	RF500-10	DIVERTER VANE	1
44	RF500-17BP	BACK-UP VALVE - BOTTOM PLATE	1
44A	RF500-44B	BACK-UP VALVE - TOP PLATE	1
45	RF500-17C	BACK-UP VALVE - SEAT	1
46	RF500-21G	GASKET - PUMP OUTLET TO TP	1
47	RF500-66A	BACK-UP VALVE - SPRING	1

ITEM #	PART #	DESCRIPTION	QTY.
49	RF500-9	BASE	2
50	RF500-25A	SIGHT HOSE	1
50A	RF500-25SG	SIGHT GLASS	3
51	RF500-69A	PIPE PLUG - 1/4" NPT BLACK, SQU. HD.	7
53	RF500-29	OIL PUMP - BI-DIRECTIONAL	1
54	RF500-23SG	OIL PUMP COVER	1
55	RF500-26	GASKET - PUMP COVER	1
57	RF500-24A	HEX BOLT - M8 x 90mm - Z.P.	4
57A	RF500-221A	ALUMINUM FLAT WASHER	4
58	RF500-70	GASKET - SEAL HOUSING	2
59	RF500-71A	SELF DRILLING SCREW	9
60	RF500-72A	ROLL PIN FOR OIL PUMP - 5/32" x 1-1/4"	1
61	RF500-19A	ROLLER BEARING	2
62	RF500-20A	BELLEVILLE SPRING	4
63	RF500-35A	SNAP RING	2
64	ELBOW 45 DEG	45 DEG. ELBOW FITTING	1
65	RF500-15	SMALL SEAL HOUSING	1
66	RF500-74	KEY - 3/8" x 1/2" x 1-3/4"	1
67	A270-4	NIPPLE - 1/4" NPT x 10" LONG (RCF 500)	1
67A	NIPPLE 1/4" x 8"	NIPPLE - 1/4" NPT x 8" LONG (RCF 370)	1
68	RF250-32A	1/4" NPT BRASS 90° ELBOW	1
69	RF500-0	BOLT -5/16" NC x 1-1/2" & LW INCLD. W/ ITEM 3	3
70	RF500-48A	HEX BOLT - M8 x 25mm - Z.P.	9
70B	RF120-96A	LOCKWASHER (SPLIT) - M8 - Z.P.	13
71	RF500-78A	SNAP RING - BACK-UP VALVE	1
72	RF500-72B	ROTOR SHAFT ROLL PIN - 1/4" X 3"	1
73	RF500-80A	OIL PUMP COUPLING	1
74	RF500-81	VANE WEAR TEST ROD	1
75	A270-5	PIPE NIPPLE - 1/4" NPT x 1-1/2" LONG	1
100	RF500-67A	HEX BOLT - M10 x 30mm - Z.P.	16
100A	RF120-94A	LOCK WASHER (SPLIT) - M10 - Z.P.	32
101	HBM-100-350	HEX BOLT - M10 x 35mm - GRADE 10.9, Z.P.	4
130	RF500-1	PUMP HOUSING	1
140	RF500-140	GASKET - HOUSING CAP	2
150	RF250-3	HOUSING END CAP	2
190	RF500-190P	BREATHER FILLER	1
560	RF500-22 *	SEAL HOUSING - LARGE	1
600	RF500-F00	STAR KNOB FOR FILTER BOX LID	1
601	RF500-F01	COPPER WASHER	1
602	RF500-FL	FILTER BOX LID	1
603	RF500-FB	FILTER BOX	1
604	RF500-04	FILTER BOX O-RING	1

ITEM #	PART #	DESCRIPTION	QTY.
605	RF500-FC	S.S MESH FILTER CARTRIDGE	1
607	HBM-080-030-SZ8	S.H.C.S. - M8 x 30mm - Z.P.	4
608	RF500-21	TRANSITION PLATE WITH BU VALVE CAGE	1
609	RF500-65F	GASKET - TRANSITION PLATE	1
610	RF500-10F	DIVERTER VANE - FILTER	1
611	RF500-11F	DIVERTER HOUSING	1
700	RF500-BH	HYDRAULIC DRIVE BELL HOUSING	1
701	RF500-MP	MOUNTING PLATE	1
702	RF500-GR	GUARD RINGS (1 PC.)	4
703	RF500-703	HEX BOLT - M10 x 50mm - Z.P.	4
704	M8X35HEX	HEX BOLT - M8 x 35mm - Z.P.	8
705	M8 F/W	FLAT WASHER - M8 - Z.P.	8
706	F190-XXX	F190 FLANGES 42mm & SPECIFY OTHER	2
707	F190-INS	F190 COUPLING INSERT	1
708	RF120-134	SET SCREW - 1/8" NC x 1/2"	2
710	RF250-69A	PIPE PLUG - 1/8" NPT BLK. SQ. HD.	4
712	RF500-240	PIPE PLUG - 1-1/2" NPT	1
713	RF500-ADA2	ANGLE DRIVE APARTOR PLATE	1
INS	RF500-INS	INSTRUCTION TAG OIL	1
DIR	RF500-DIR	DIRECTION TAG	1
NAM	RF500-NAM	NAME PLATE	1
MAN	RF500-MAN	MANUAL	1

NOTES:
- * SPECIFY LH/RH ROTATION & UPRIGHT OR SIDE MOUNT
- SIDE MOUNT MODEL - AVAILABLE IN CW (RH) OR CCW (LH)
- TOP MOUNT MODEL - AVAILABLE IN CW (RH) OR CCW (LH)

PROPRIETARY AND CONFIDENTIAL
THE INFORMATION CONTAINED IN THIS DRAWING IS THE SOLE PROPERTY OF FRUITLAND MANUFACTURING. ANY REPRODUCTION IN PART OR AS A WHOLE WITHOUT THE WRITTEN PERMISSION OF FRUITLAND MFG. IS PROHIBITED.

	NAME	DATE	 324 Leaside Avenue Stoney Creek, Ontario, CANADA L8E 2N7 Phone: (905) 662-6552 Fax: (905) 662 9875
CREATED	I.P.	12/30/2021	
CHECKED			TITLE:
UNLESS OTHERWISE SPECIFIED: DIMENSIONS ARE IN INCHES TOLERANCES: FRACTIONAL OR .X = ±.015 .XX = ±.010 .XXX = ±.005			PARTS LIST FOR 370 & 500 PUMPS
MATERIAL			DWG. NO.
			370-500-BOM
			REV
			1
		SCALE: 1:48	WEIGHT:--
		SHEET 1 OF 1	