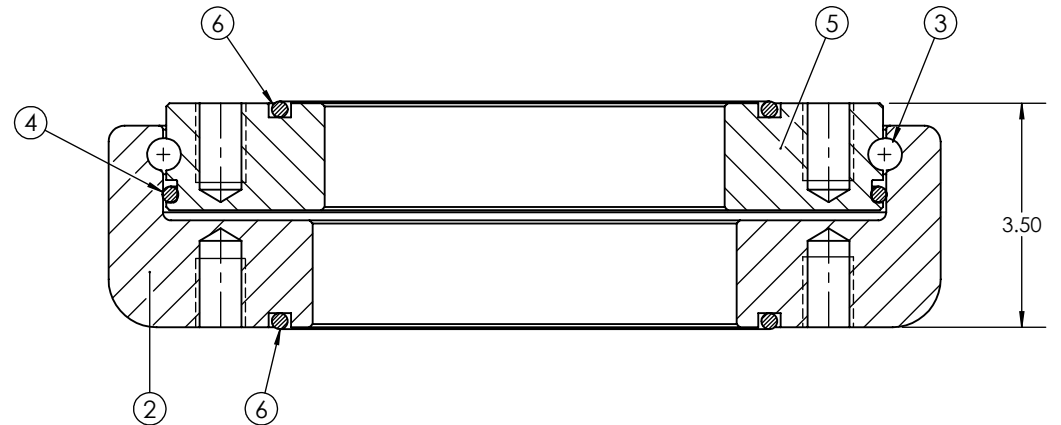
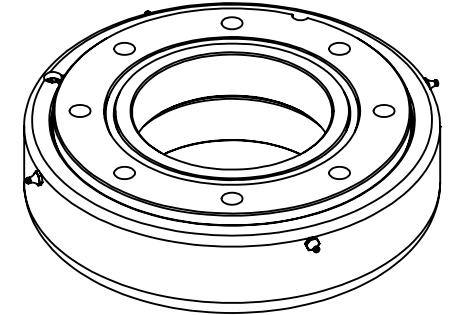
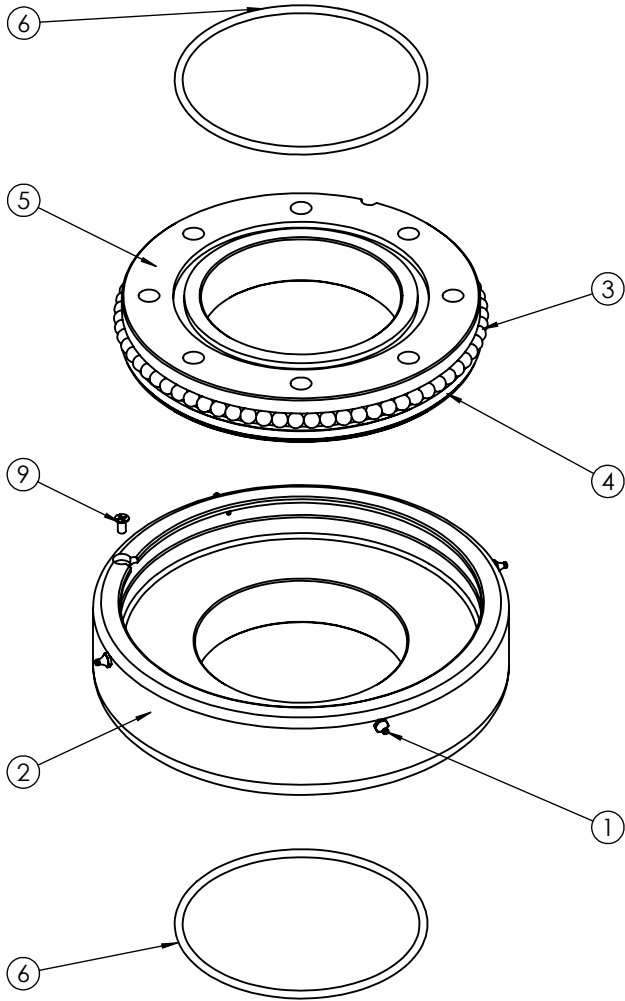


### 6" BOOM SWIVEL FOR 6" FLANGES PART # BS66



ITEM#	PART#	DESCRIPTION	QTY.
1	BSX-125-B	GREASE NIPPLE - w/ BALL - 1/8" NPT	4
2	BS66OR	6" OUTER RING FOR 6" FLANGE	1
3	BSB-50	BEARING BALL - Ø1/2"	70
4	BS6-4-OR	O-RING FOR INNER RING - BUNA N (0.250 ACT. DIA SECT.)	1
5	BS6IR	6" INNER RING FOR 6" BOOM SWIVEL	1
6	BS6-6-OR	TOP O-RING - BUNA N (0.250 ACT. DIA SECT.)	2
9	HBI-250-507	FHCS - 1/4"-20 NC x 1/2" LONG	1
27	GREASE LITHIUM TUBE	EP.#2 LITHIUM GREASE	LOAD

**OLD PART# BS6(6)**  
**PROPRIETARY AND CONFIDENTIAL**  
 THE INFORMATION CONTAINED IN THIS DRAWING IS THE SOLE PROPERTY OF FRUITLAND MANUFACTURING. ANY REPRODUCTION IN PART OR AS A WHOLE WITHOUT THE WRITTEN PERMISSION OF FRUITLAND MFG. IS PROHIBITED.

NAME	DATE	FRUITLAND	
CREATED S.B.	11/13/2012	324 Leaside Avenue Stoney Creek, Ontario, CANADA L8E 2N7 Phone: (905) 662-6552 Fax: (905) 662-9875	
CHECKED W.D.	11/13/2012	TITLE: 6" BOOM SWIVEL FOR 6" FLANGE - BOM & EXP. VIEW	
UNLESS OTHERWISE SPECIFIED: DIMENSIONS ARE IN INCHES TOLERANCES: FRACTIONAL OR .X = ±.015 .XX = ±.010 .XXX = ±.005		DWG. NO. BS66	REV 1
MATERIAL	--	SCALE: 1:6	WEIGHT:--

5

4

3

2

1