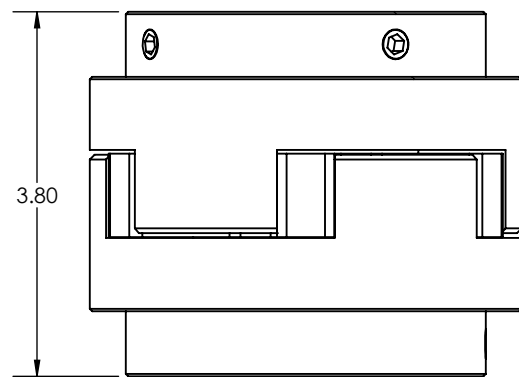
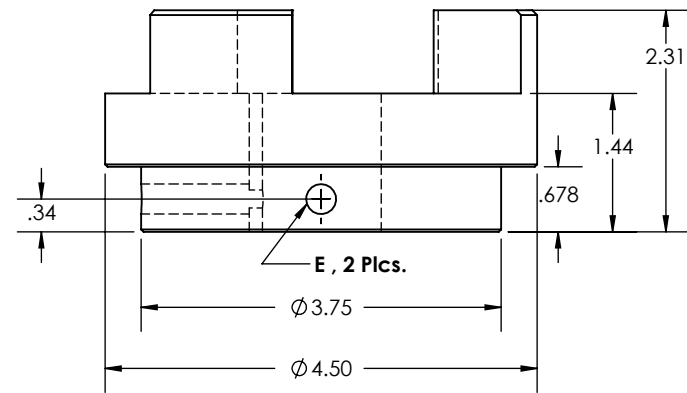
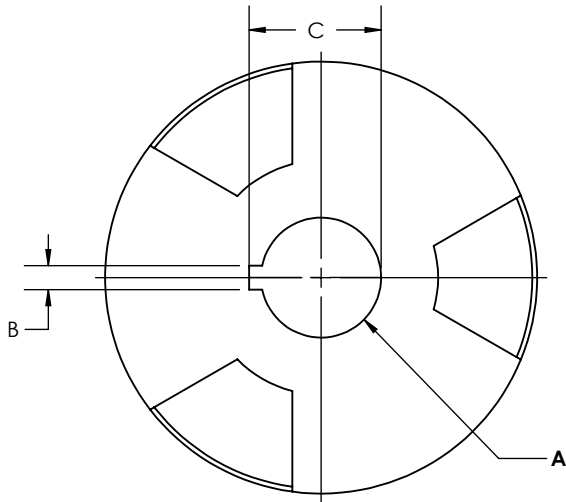
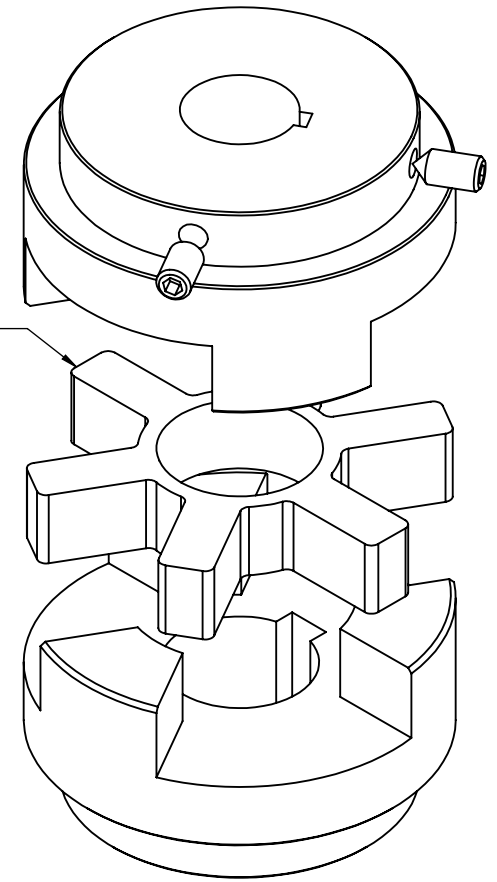


# F190 COUPLINGS

(SEE TABLE FOR PART #S)




INSERT  
PART #: F190-INS, BUNA N  
F190H-INS, HYTREL



PART #	ASSEMBLY PART # INCLUDES F190-42 & F190-INS	DIM "A" BORE Ø +0.0003 +0.0013	DIM "B" KEY WIDTH +0.002 -0.0	DIM "C" KEY ACROSS BORE +0.01 -0.0	DIM "E" SET SCREW SIZE
F190-1255	F190C-1255	1.250	5/16	1.406	3/8-16 X 3/4
F190-1250	F190C-1250	1.250	1/4	1.375	3/8-16 X 3/4
F190-1125	F190C-1125	1.125	1/4	1.250	3/8-16 X 3/4
F190-1000	F190C-1000	1.000	1/4	1.125	3/8-16 X 3/4
F190-42		1.654 (42MM)	1/2	1.840	3/8-16 X 3/4
F190-1500	F190C-1500	1.500	3/8	1.687	3/8-16 X 3/4
F190-875	F190C-0875	0.875	1/4	1.000	3/8-16 X 3/4
F190-1375	F190C-1375	1.375	5/16	1.530	3/8-16 X 3/4
F190-55		2.166 (55MM)	.630 (16MM)	2.323 (59MM)	3/8-16 X 3/4

REV 3, DCR 925: ASSEMBLY PART #S ADDED, K.A. 11/19/21  
REV 2, DCR 588: NEW PART # F190-55 ADDED, K.A. 9/26/2014  
REV 1, DCR 428: OVERALL COUPLING HEIGHT UPDATED

NAME	DATE	 <b>FRUITLAND</b> 324 Leaside Avenue Stoney Creek, Ontario, CANADA L8E 2N7 Phone: (905) 662-6552 Fax: (905) 662 9875	
CREATED	K.A. 08/03/2011		
CHECKED	W.D. 10/11/2011	TITLE:	
UNLESS OTHERWISE SPECIFIED: DIMENSIONS ARE IN INCHES TOLERANCES: FRACTIONAL OR .X = ±.015 .XX = ±.010 .XXX = ±.005		DWG. NO.	REV
MATERIAL	--	F190	3
SCALE: 1:2		WEIGHT:--	SHEET 1 OF 1

**PROPRIETARY AND CONFIDENTIAL**  
THE INFORMATION CONTAINED IN THIS DRAWING IS THE SOLE PROPERTY OF FRUITLAND MANUFACTURING. ANY REPRODUCTION IN PART OR AS A WHOLE WITHOUT THE WRITTEN PERMISSION OF FRUITLAND MFG. IS PROHIBITED.