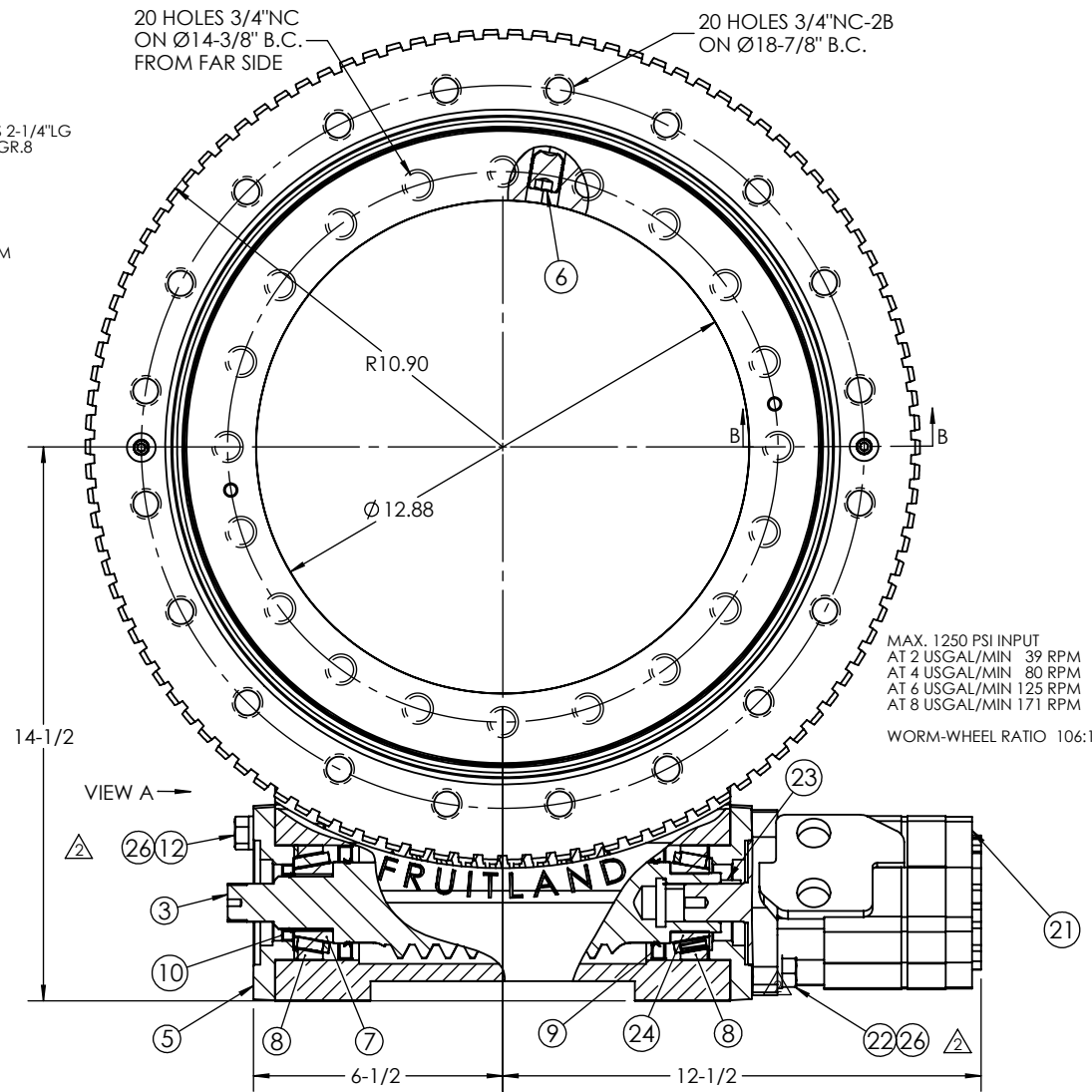
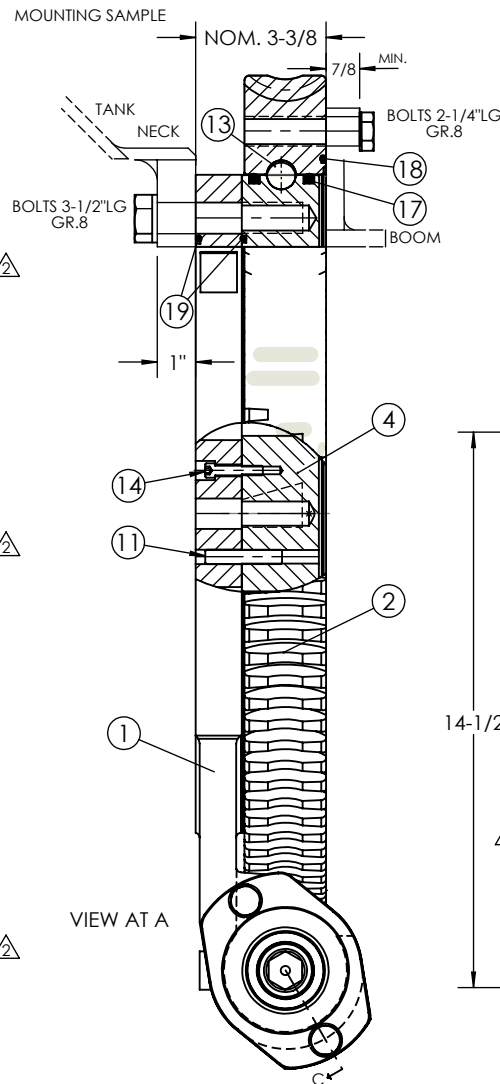


MATING SURFACES TO BE FLAT WITHIN 0.010, TORQUE MOUNTING BOLTS STAGGERED & EVENLY TO APPROX. 225 FT-LBS

CUSTOMER COPY

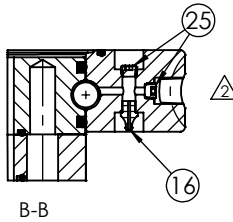
#	PART #	DESCRIPTION	QTY.
1	13WDB20	BASE	1
2	13WDOR	WORM GEAR	1
3	10WDWORM1B	WORM	1
4	13WDIR	INNER RING	1
5	10EPL-5N	END PLATE	2
6	BLS7/8	BALL LOAD SCREW	1
7	2793 BEARING CONE	BEARING CONE	1
8	2720 BEARING CUP	BEARING CUP	2
9	BSW-00A-09	OIL SEAL LG.	2
10	BSW-00A-10	OIL SEAL SM.	1
11	D3/8-2	DOWEL	2
12	1/2X1-1/2	HEX BOLT Gr8 ZP	2
13	B3/4"	BEARING BALL	69
14	1/4X1-1/2	S.H.C. SCREW	2
15	-	SHIELD	1
16	BS8"-1	GREASE NIPPLE (NO BALL)	1
16A	BSX-125-HCS	GREASE NIPPLE (W/ BALL) - 1/8" NPT	2
17	13"WD-18	WIPER SEAL INNER	2
18	13"WD-19	O-RING TOP	1
19	13"WD-20	O-RING BOTTOM	2
20	BLS1/4	SET SCREW	1
21	RS10040100	HYDRAULIC MOTOR	1
22	1/2X2	HEX BOLT Gr8 ZP	2
23	SQ1/4X1Key	KEY	1
24	2789 BEARING CONE	BEARING CONE	1
25	FPP-011-HCS	PIPE PLUG - 1/8" NPT	4
26	1/2" L/W	LOCKWASHER - 1/2" - Z.P.	4



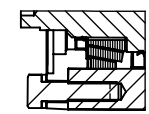
MAX. 1250 PSI INPUT
 AT 2 USGAL/MIN 39 RPM
 AT 4 USGAL/MIN 80 RPM
 AT 6 USGAL/MIN 125 RPM
 AT 8 USGAL/MIN 171 RPM
 WORM-WHEEL RATIO 106:1

VIEW AT A

VIEW A



B-B



VIEW C

PART #'S
 ASS'Y W/O HYDR. MOTOR: 13WDS
 ASS'Y C/W HYDR. MOTOR: 13WDSH

MAX. CAPACITY 54.67 kNm
 (40,319 FT-LB)

PROPRIETARY AND CONFIDENTIAL
 THE INFORMATION CONTAINED IN THIS DRAWING IS THE SOLE PROPERTY OF FRUITLAND MANUFACTURING. ANY REPRODUCTION IN PART OR AS A WHOLE WITHOUT THE WRITTEN PERMISSION OF FRUITLAND MFG. IS PROHIBITED.

NAME	DATE		324 Leaside Avenue Stoney Creek, Ontario, CANADA L8E 2N7 Phone: (905) 662-6552 Fax: (905) 662-9875	
CREATED	S.P. 04/12/2013		TITLE:	13" WORM DRIVE SEAL ASSEMBLY
CHECKED		DWG. NO.	13WDASSY-CC	
UNLESS OTHERWISE SPECIFIED: DIMENSIONS ARE IN INCHES TOLERANCES: FRACTIONAL OR .X = ±.015 .XX = ±.010 .XXX = ±.005		SCALE: 1:5	WEIGHT:--	
MATERIAL	--			
		REV	2	

FOR REFERENCE ONLY

FM RESERVES THE RIGHT TO MAKE CHANGES WITHOUT NOTICE