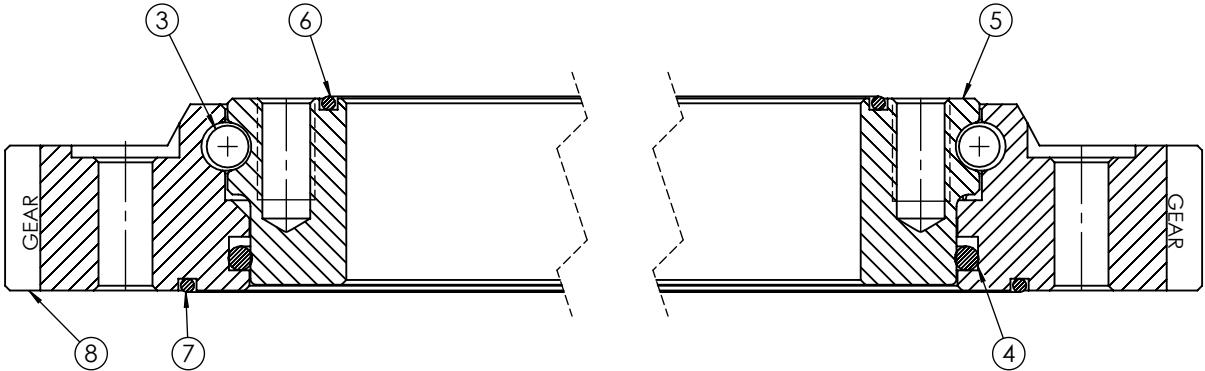
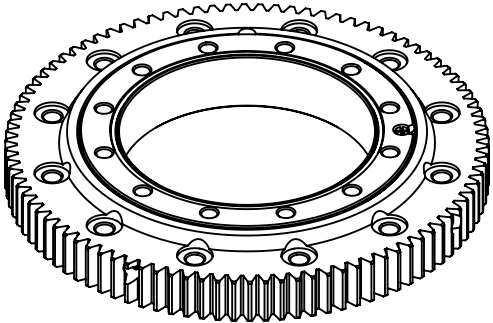
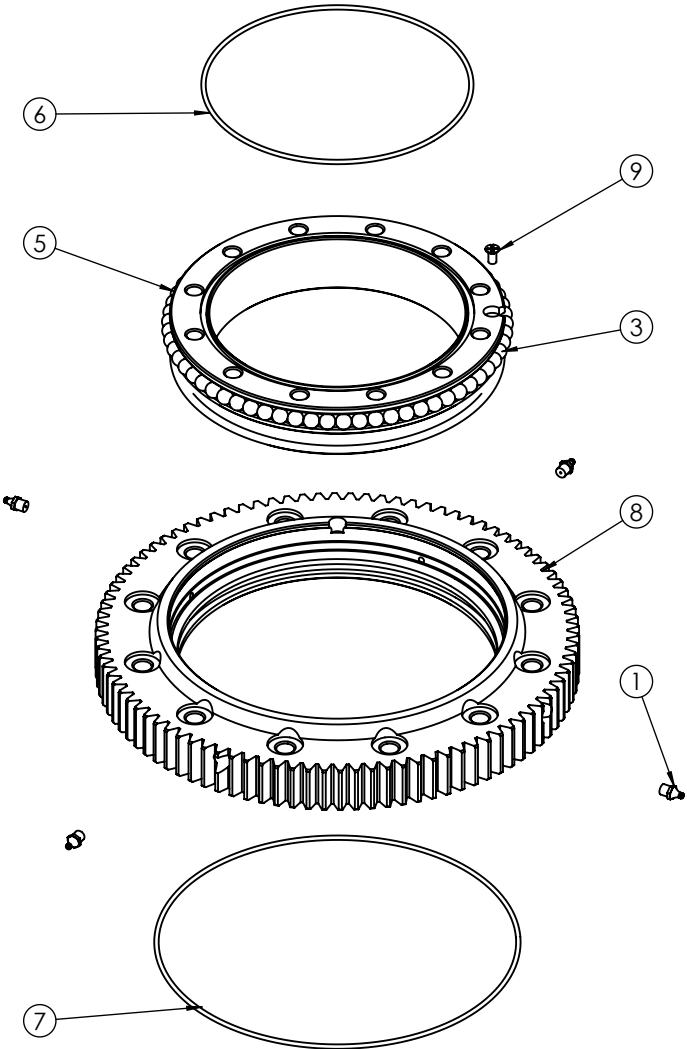


REVISIONS				
DCR	REV.	DESCRIPTION	DATE	APPROVED
	1	DOUBLED MOUNTING HOLES, MOVED GREASEHOLE BY 15°, 9/16 WAS 3/764	05/09/94	H.K.
	2	CHANGED GREASE HOLE POS. & ADDED ONE, ADDED TOL. C/U & # OF BALLS & DIM.	06/023/94	H.K.
	3	ADDED GEAR TYPE, GREASE HOLES 4 PL., ADDED #10-32 THREAD & CHANGED DIM.	07/05/96	H.K.
	4	CHANGED FROM #10-32 SETSCREW TO 1/4" FL.HD.SCREW	07/25/97	H.K.
	5	CHANGED C'BORE DEPTH 0.56 WAS 0.43	03/04/98	H.K.
9	6	O-RING GR. Ø10.450 WAS Ø10.475/Ø0.35 WAS 0.31//TITLEBLOCK//ADDED ASS'LY-VIEW & NOTES. CHANGED DWG# FTM-367A TO 8&8G.RSB//COMP.FILE# RSB8ID.FTM TO 8&8G.RSB	11/23/98	H.K.
	7	UPDATED BOM, UPDATED PART # [OLD PART # BS8"G]. NO PHYSICAL CHANGES	10/10/23	I.P.
	8	O-RING HARDNESS CHANGED TO SOFT 50A FROM 70A	11/23/23	K.A.

8" GEARED BOOM SWIVEL  
PART #BS8G



ITEM#	PART#	DESCRIPTION	QTY.
1	BSX-125-B	GREASE NIPPLE (W/ BALL) - 1/8" NPT	4
3	BSB-50	BEARING BALL - Ø1/2"	65
4	BS8-4-OR	O-RING BUNA N (0.250" CS) HARDNESS 50A SOFT	1
5	BS8IR	8" INNER RING	1
6	BS8-6-OR	TOP O-RING (0.139 ACT. DIA SECT.)	1
7	BS8-7-OR	BOTTOM O-RING (0.139 ACT. DIA SECT.)	1
8	BS8ORG	8" GEARED OUTER RING (DWG.# 8GOR.RSB)	1
9	HBI-250-507	SOC.FL.HD.SCREW - 1/4" NC X 1/2" LG	1
27	GREASE LITHIUM TUBE	EP.#2 LITHIUM GREASE	LOAD

MAT'L: C-1045

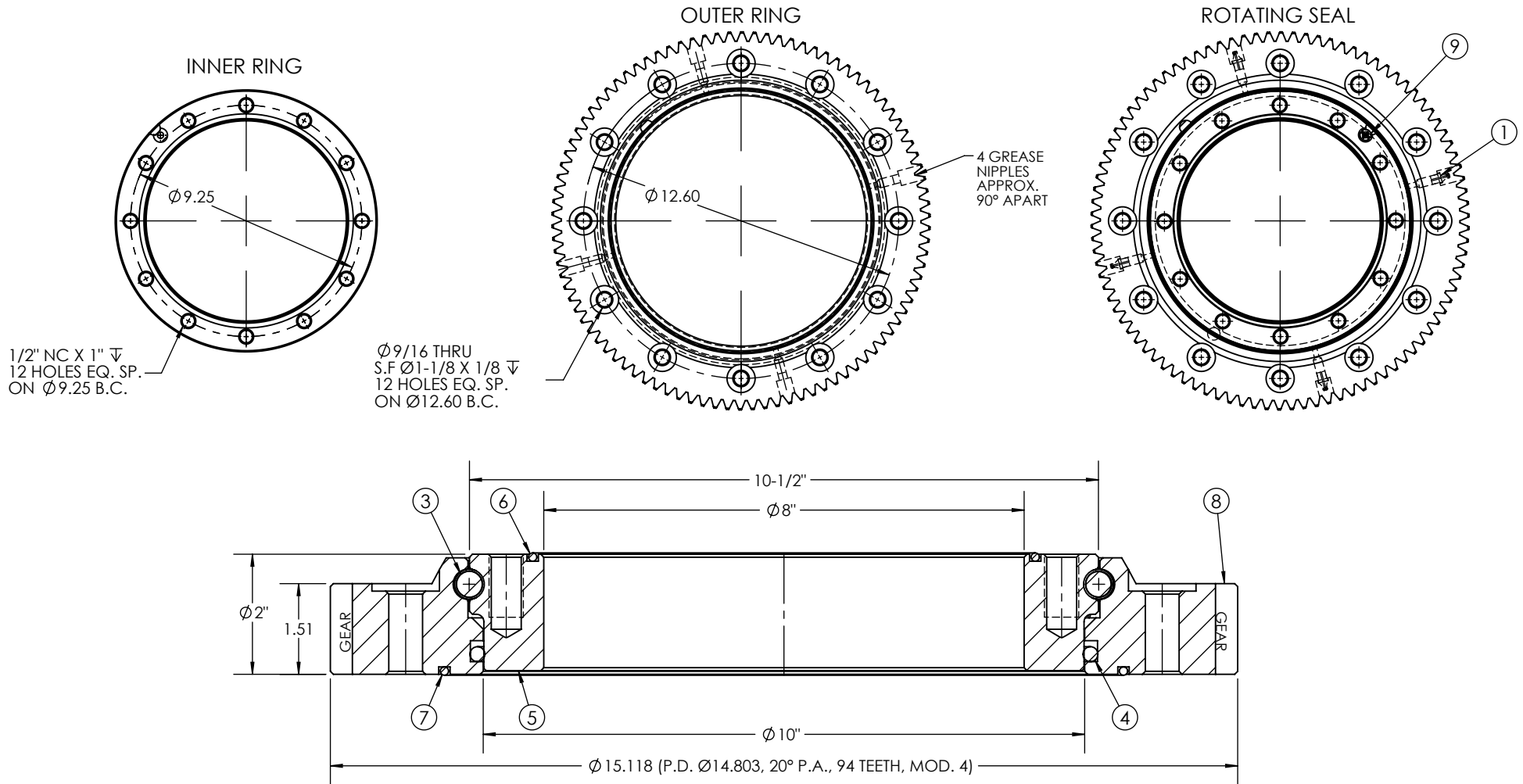
**PROPRIETARY AND CONFIDENTIAL**  
THE INFORMATION CONTAINED IN THIS DRAWING IS THE SOLE PROPERTY OF FRUITLAND MANUFACTURING. ANY REPRODUCTION IN PART OR AS A WHOLE WITHOUT THE WRITTEN PERMISSION OF FRUITLAND MFG. IS PROHIBITED.

NAME	DATE	FRUITLAND	
CREATED S.B.	11/19/2012	324 Leaside Avenue Stoney Creek, Ontario, CANADA L8E 2N7 Phone: (905) 662-6552 Fax: (905) 662-9875	
CHECKED W.D.	11/19/2012	TITLE: 8" GEARED BOOM SWIVEL - EXP. VIEW & BOM	
UNLESS OTHERWISE SPECIFIED: DIMENSIONS ARE IN INCHES TOLERANCES: FRACTIONAL OR .X = ±.015 .XX = ±.010 .XXX = ±.005		DWG. NO. BS8G	REV 7
MATERIAL	--	SCALE: 1:6	WEIGHT:--

- CAPACITY: 9.53 kNm  
7,500 LBF  
- USE GRADE 8 FASTENERS

CUSTOMER COPY  
FOR GENERAL INFORMATION ONLY

DCR #277, REV. 1: CORRECTED CAPACITY WAS 7.3 kNm, 05/09/2006, HANS  
REV. 2: OLD PART # BS8\*G, UPDATED BOM, 10/10/2023, I.P.  
REV. 3: O-RING SPEC CHANGED TO 50A SOFT FROM 70A MEDIUM, 11/23/2023 K.A.



ITEM#	PART#	DESCRIPTION	QTY.
1	BSX-125-B	GREASE NIPPLE (W/ BALL) - 1/8" NPT	4
3	BSB-50	BEARING BALL - Ø1/2"	65
4	BS8-4-OR	O-RING BUNA N (0.250" CS) HARDNESS 50A SOFT	1
5	BS8IR	8" INNER RING	1
6	BS8-6-OR	TOP O-RING (0.139 ACT. DIA SECT.)	1
7	BS8-7-OR	BOTTOM O-RING (0.139 ACT. DIA SECT.)	1
8	BS8ORG	8" GEARED OUTER RING	1
9	HBI-250-507	SOC.FL.HD.SCREW - 1/4" NC X 1/2" LG	1
27	GREASE LITHIUM TUBE	EP.#2 LITHIUM GREASE	LOAD

8" GEARED BOOM SWIVEL  
PART #BS8G



**PROPRIETARY AND CONFIDENTIAL**  
THE INFORMATION CONTAINED IN THIS DRAWING IS THE SOLE PROPERTY OF FRUITLAND MANUFACTURING. ANY REPRODUCTION IN PART OR AS A WHOLE WITHOUT THE WRITTEN PERMISSION OF FRUITLAND MFG. IS PROHIBITED.

MAT'L: C-1045

FM RESERVES THE RIGHT TO MAKE CHANGES WITHOUT NOTICE

NAME	DATE	FRUITLAND	
CREATED	S.P. 03/28/2013	324 Leaside Avenue Stoney Creek, Ontario, CANADA L8E 2N7 Phone: (905) 662-6552 Fax: (905) 662-9875	
CHECKED		TITLE: 8" GEARED BOOM SWIVEL - CUSTOMER COPY	
UNLESS OTHERWISE SPECIFIED: DIMENSIONS ARE IN INCHES TOLERANCES: FRACTIONAL OR .X = ±.015 .XX = ±.010 .XXX = ±.005		DWG. NO. BS8G-CC	REV 3
MATERIAL	--	SCALE: 1:2.5	WEIGHT:--

5

4

3

2

1