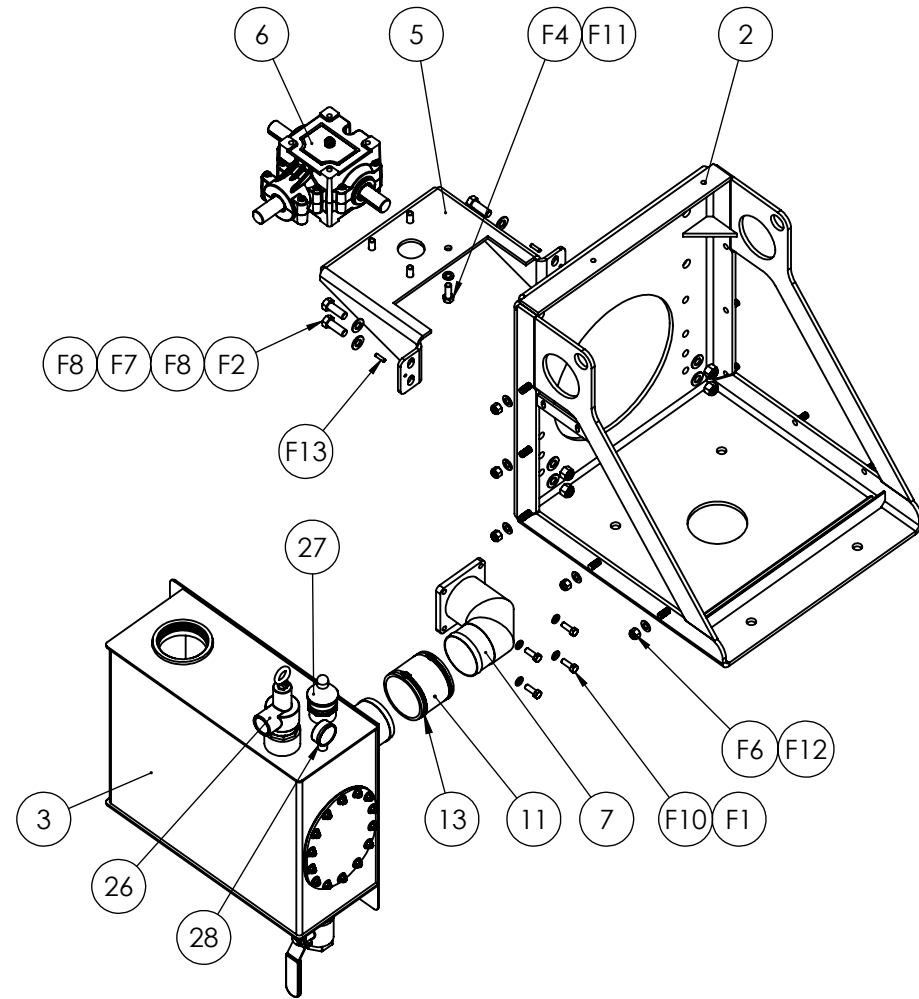


ITEM #	PART #	DESCRIPTION	QTY.
2	RF870-SC	Pedestal Frame	1
3	RF870-S14	S14 Secondary Shut-Off	1
5	ADM14	Angle Drive Mount	1
6	RF500-GB400	Right Angle Gear Box	1
7	FL14	4" NPT Elbow Diverter Flange for Elim 870	1
11	ESX-080-404	Rubber Hose - Ø4" x 4-3/8" Long - SLR-64	4-3/8"
13	MKL-121-SP	Hose Clamp Ø4" Tank Hose (Mikalor M8 113-121)	2
15	RF870-65	Gasket - Diverter Flange for 870 Pumps	1
26	PRV-2"	Pressure Relief Valve - 2" NPT	1
27	VB	Vacuum Relief Valve - 1-1/2" NPT	1
28	PVG-2.5	Compound Pressure-Vacuum Gauge - 30 PSI - 30 VAC - 1/4" NPT	1
Hardware List			
F1	RF500-67A	Hex Bolt - M10 x 1.5mm x 30mm Long - Z.P.	4
F2	HBI-600-170	Hex Bolt - 5/8"-11 NC x 1-3/4" Long - Z.P.	4
F4	HBI-500-005	Hex Bolt - 1/2"-13 NC x 1-3/8" Long - Z.P.	4
F6	HNI-500-201	Nylock Hex Nuts - 1/2"-13 NC - Z.P.	5
F7	5/8" NUT	Nylock Hex Nuts - 5/8"-11 NC - Z.P.	4
F8	5/8" F/W-SAE	Flat Washer, SAE (Small) - 5/8" - Z.P.	8
F10	RF120-94A	Lock Washer - 10mm - Z.P.	4
F11	1/2" L/W	Lock Washer - 1/2" - Z.P.	9
F12	1/2" F/W-SAE	Flat Washer, SAE (Small) - 1/2" - Z.P.	5
F13	1/4" X 1" LG SPLIT PIN	Split Pin - 1/4" x 1" Long	2



**ELIMINATOR A PACKAGE**  
 FOR 870 PUMPS  
 WITH GEAR BOX & MOUNT  
 AND SECONDARY-SHUT-OFF

**PART # ELIM870-A-S**

NOTES:  
 1. ALL FASTENERS TO BE SUPPLIED.  
 2. WEIGHT AS SHOWN - 301 LBS

	NAME	DATE	324 Leaside Avenue Stoney Creek, Ontario, CANADA L8E 2N7 Phone: (905) 662-6552 Fax: (905) 662-9875
CREATED	Z.D.	03/26/2015	
CHECKED	K.A.	03/26/2015	TITLE:
			ELIM870-A-S BOM
UNLESS OTHERWISE SPECIFIED: DIMENSIONS ARE IN INCHES TOLERANCES: FRACTIONAL OR .X = ±.015 .XX = ±.010 .XXX = ±.005			DWG. NO.
			ELIM870-A-S
MATERIAL			SCALE: 1:12
			WEIGHT:--
			REV
			1

**PROPRIETARY AND CONFIDENTIAL**  
 THE INFORMATION CONTAINED IN THIS DRAWING IS THE SOLE PROPERTY OF FRUITLAND MANUFACTURING. ANY REPRODUCTION IN PART OR AS A WHOLE WITHOUT THE WRITTEN PERMISSION OF FRUITLAND MFG. IS PROHIBITED.