

ITEM #	PART #	DESCRIPTION	QTY.
1	172RU	RCF172 VACCUM PUMP	1
2	PF18-PT-L	344-PT PEDASTAL FRAME-LEFT	1
3	F100-A	F100 COMPLETE COUPLING WITH BUNA INSERT BORES: 1.25 X 1.25 PUMP AND GB	1
4	ADM18	344-PT ANGLE DRIVE MOUNT	1
5	RF250-SA	1-1/2" DIA. SHAFT EXTENSION ADAPTOR 2 PCS. USED WITH 12" SHAFT DISTANCE (GEAR BOX) 1 PC. USED WITH 8" SHAFT DISTANCE (GEAR BOX)	- 2 1
6	RF500-GB400	RIGHT ANGLE GEAR BOX	1
7	1/4" X 1" LG SPLIT PIN	1/4" X 1" SPLIT PIN	6
8	Elim A344-PT-SB-T	SPACER TUBE FOR HOUSING (ELIM A344-PT)	2
9A	2" HOSE	RUBBER HOSE - Ø2" x 5" LONG	1
9B	2" HOSE	RUBBER HOSE - Ø2" x 6" LONG	1
10	2" HOSECLAMP	CLAMPS FOR RUBBER HOSE (M10 64-67mm)	4
11	SSA-207-14L-CS	S21 SECONDARY ASSEMBLY - LH	1
12	MUA-207-18L-CS	M21 MUFFLER ASSEMBLY - LH	1
13	RF344-15NPT-2BARB	1-1/2" NPT - 2" HOSE BARB CONNECTOR	2
14	CVSP-3100-1.5"FM90	STREET ELBOW 90° (MxF) - 1-1/2" NPT	2

HARDWARE LIST

F1	1/2" X 1-1/2"	HEX BOLT - 1/2"-13 NC x 1-1/2" LONG - Z.P.	12
F2	1/2" X 3-1/2"	HEX BOLT - 1/2"-13 NC x 3-1/2" LONG - Z.P.	4
W1	1/2" FLAT WASHER	FLAT WASHER - 1/2" - Z.P.	16
W2		FLAT WASHER - 3/8" - Z.P.	8
L1	1/2" L/W	1/2" LOCK WASHERS ZINC PLATED	4
N1		1/2" NC NYLOCK HEX NUT	8
N2	1/2" NUT	1/2" NC ZINC PLATED HEX NUT	4
N3		HEX NUT - 3/8"-16 NC - Z.P.	4
N4		HEX NUT - 5/16"-18 NC - Z.P.	4

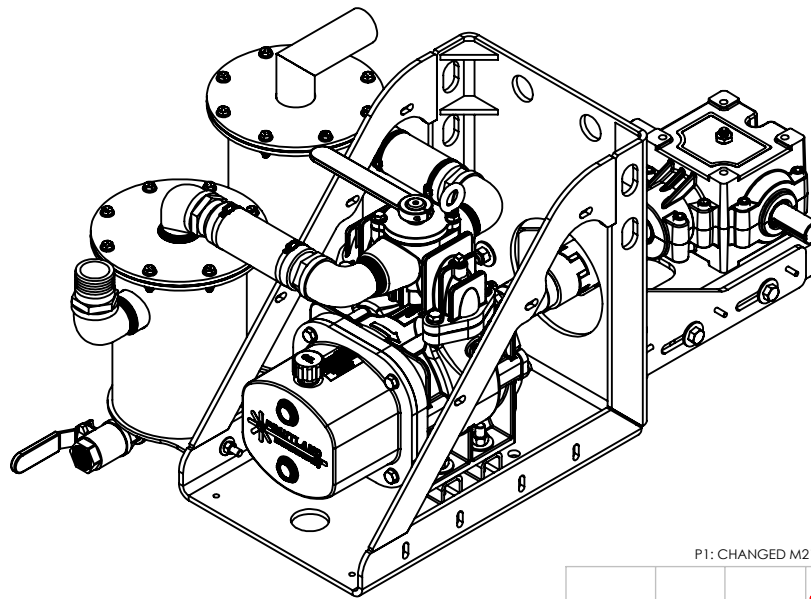
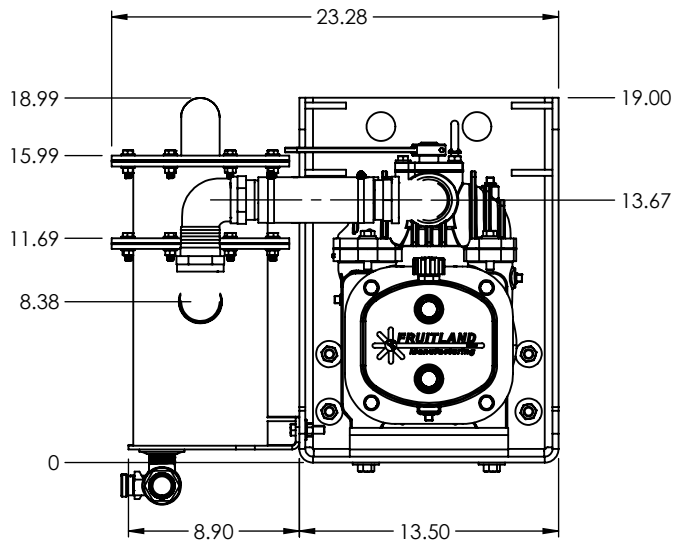
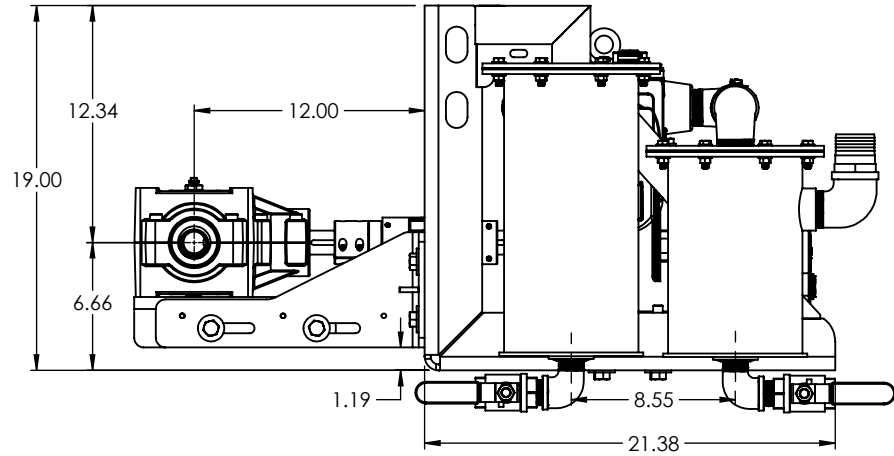
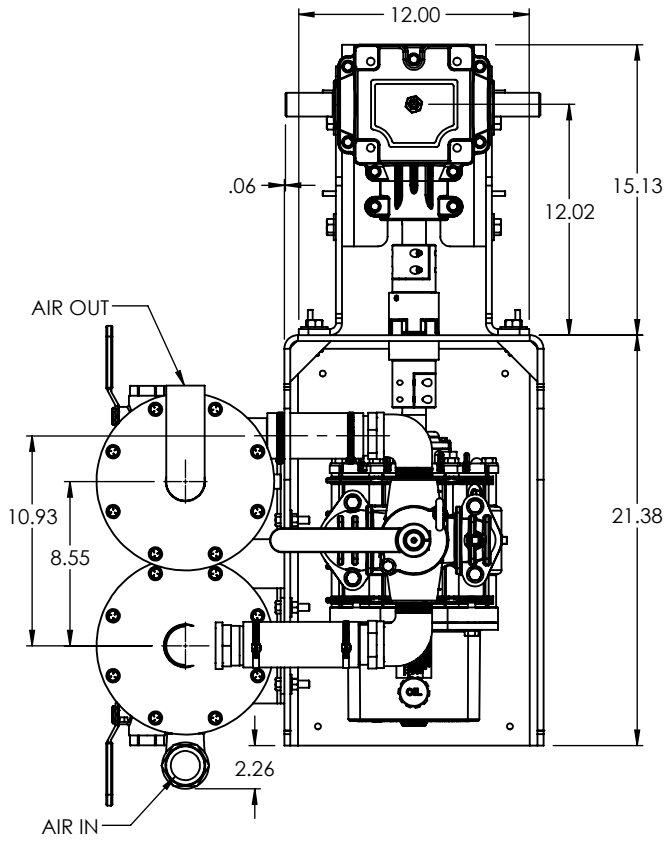
**ELIM A COMPLETE ASSEMBLY
with ANGLE DRIVE
PART # ELIM A-SM172RL**

PROPRIETARY AND CONFIDENTIAL


THE INFORMATION CONTAINED IN THIS DRAWING IS THE SOLE PROPERTY OF FRUITLAND MANUFACTURING. ANY REPRODUCTION IN PART OR AS A WHOLE WITHOUT THE WRITTEN PERMISSION OF FRUITLAND MFG. IS PROHIBITED.

NAME	DATE	FRUITLAND	
CREATED	Z.D. 07/23/2019	324 Leaside Avenue Stoney Creek, Ontario, CANADA L8E 2N7 Phone: (905) 662-6552 Fax: (905) 662 9875	
CHECKED	K.A. 07/23/2019	TITLE: ELIM A-SM172-LEFT BOM ANGLE GEAR BOX	
UNLESS OTHERWISE SPECIFIED: DIMENSIONS ARE IN INCHES TOLERANCES: FRACTIONAL OR .X = ±.015 .XX = ±.010 .XXX = ±.005		DWG. NO. ELIM A-SM172-RL	REV P1
MATERIAL	--	SCALE: 1:12	WEIGHT:-- SHEET 1 OF 3

**PART # ELIM A-SM172RL
WITH 12" ANGLE DRIVE**

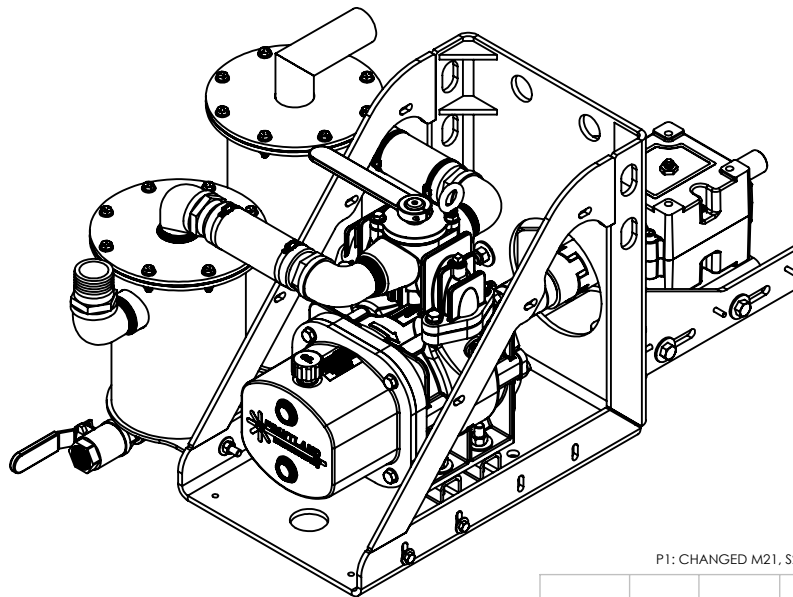
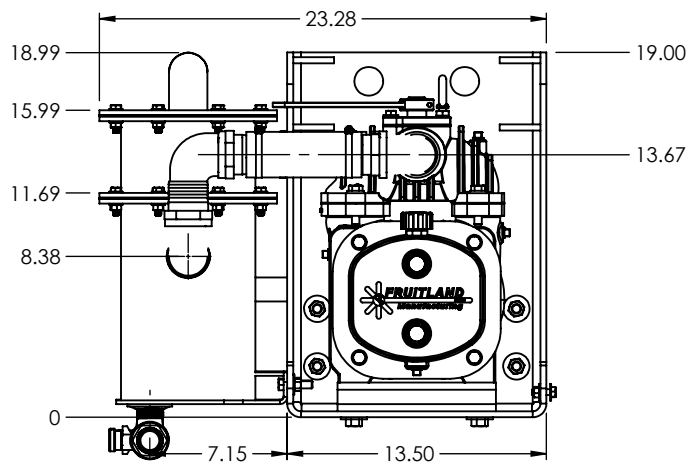
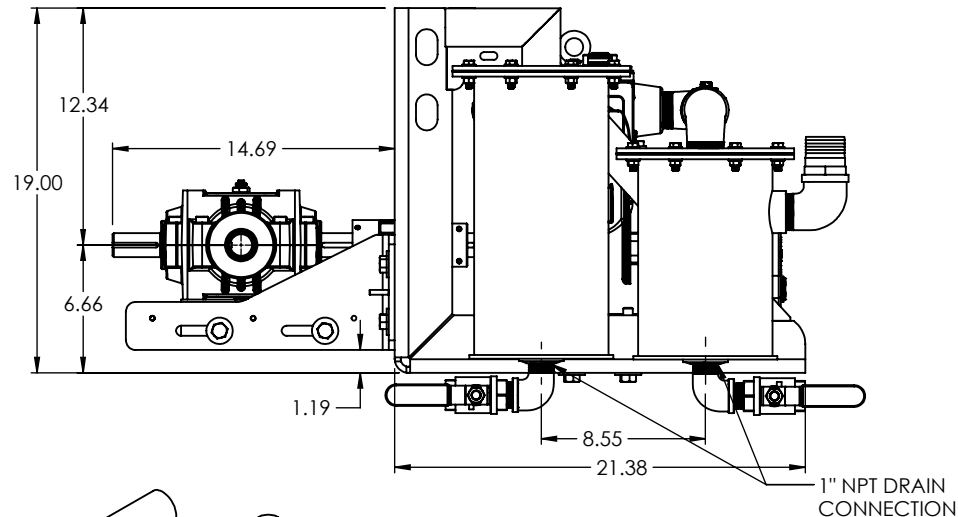
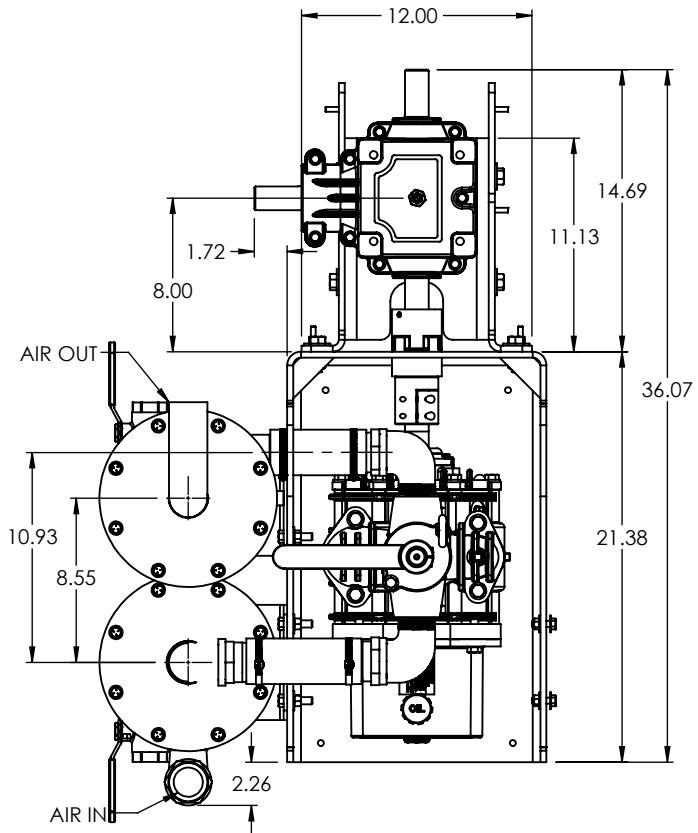


P1: CHANGED M21, S21 & FA21. UPDATED BOM & ASSEMBLY VIEWS, 06/01/2022, I.P.

NAME	DATE	 <small>324 Leaside Avenue Stoney Creek, Ontario, CANADA L8E 2N7 Phone: (905) 662-6552 Fax: (905) 662-9875</small>	TITLE:	DWG. NO.	REV
CREATED	Z.D. 07/23/2019				
CHECKED	K.A. 07/23/2019			ELIM A-SM172-RL	
UNLESS OTHERWISE SPECIFIED: DIMENSIONS ARE IN INCHES TOLERANCES:					
FRACTIONAL OR					
.X		= ±.015			
.XX		= ±.010			
.XXX		= ±.005			
MATERIAL	--	SCALE: 1:12	WEIGHT:--	SHEET 2 OF 3	

PROPRIETARY AND CONFIDENTIAL
THE INFORMATION CONTAINED IN THIS DRAWING IS THE SOLE PROPERTY OF FRUITLAND MANUFACTURING. ANY REPRODUCTION IN PART OR AS A WHOLE WITHOUT THE WRITTEN PERMISSION OF FRUITLAND MFG. IS PROHIBITED.

**PART # ELIM A-SM172RL
WITH 8" ANGLE DRIVE**



P1: CHANGED M21, S21 & FA21, UPDATED BOM & ASSEMBLY VIEWS, 06/01/2022, I.P.

NAME	DATE	FRUITLAND		324 Leaside Avenue Stoney Creek, Ontario, CANADA L8E 2N7 Phone: (905) 662-6552 Fax: (905) 662-9875	
CREATED	K.A.	07/23/2019	TITLE:		
CHECKED	K.A.	07/23/2019	ELIM A-SM172-LEFT - 8" ANGLE DRIVE - DIMS		
UNLESS OTHERWISE SPECIFIED: DIMENSIONS ARE IN INCHES TOLERANCES: FRACTIONAL OR .X = ±.015 .XX = ±.010 .XXX = ±.005			DWG. NO.	REV	
MATERIAL			ELIM A-SM172RL	P1	
SCALE: 1:12			WEIGHT:--	SHEET 3 OF 3	

PROPRIETARY AND CONFIDENTIAL
THE INFORMATION CONTAINED IN THIS DRAWING IS THE SOLE PROPERTY OF FRUITLAND MANUFACTURING. ANY REPRODUCTION IN PART OR AS A WHOLE WITHOUT THE WRITTEN PERMISSION OF FRUITLAND MFG. IS PROHIBITED.