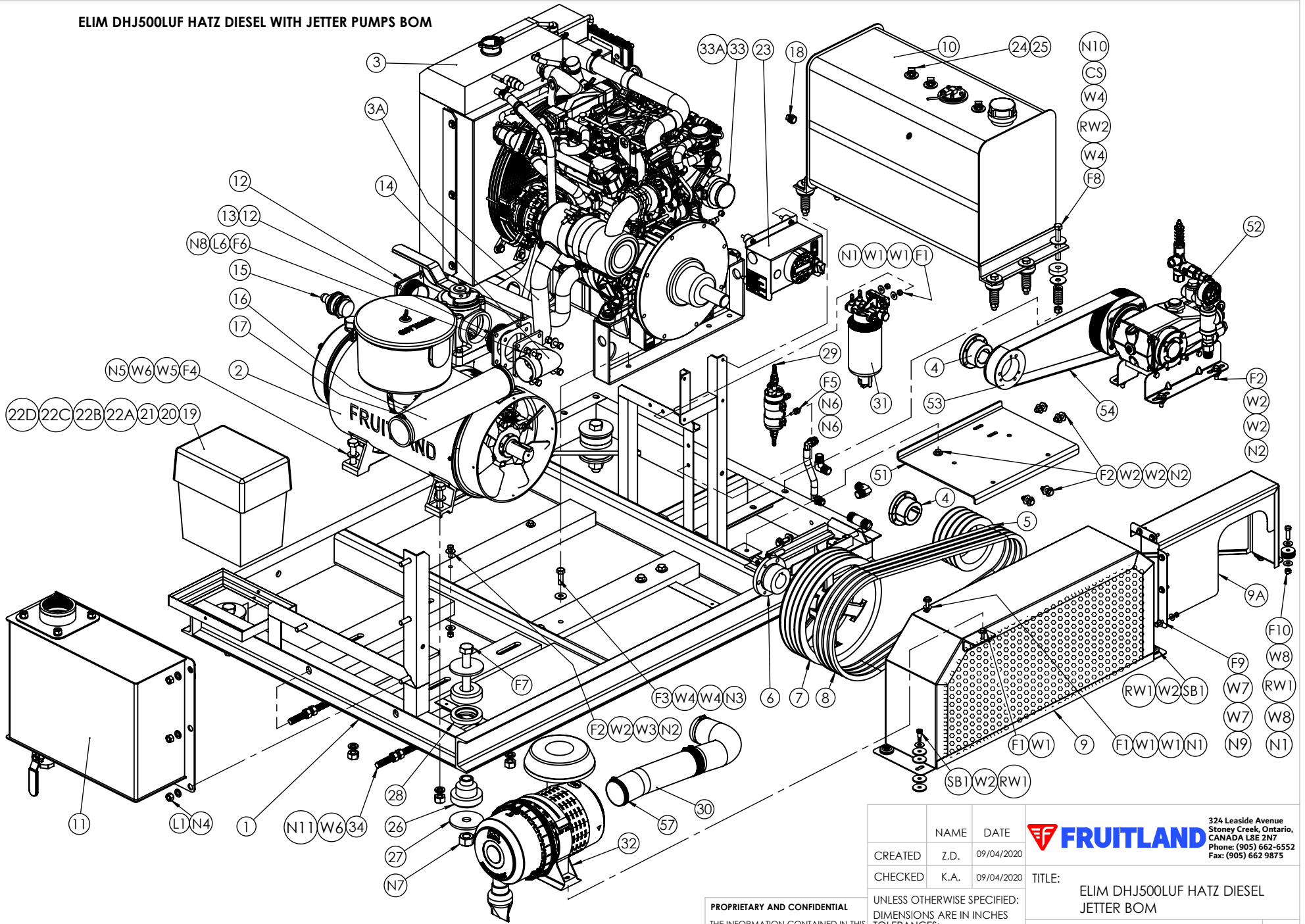



ELIM DHJ500LUF HATZ DIESEL WITH JETTER PUMPS BOM



REV. P1, UPDATED BOM, 11/09/2020, Z.D.
 REV. P2, UPDATED FRAME & BOM, 09/17/2021, Z.D.
 REV. P3, UPDATED FRAME, COMPANY LOGO & BOM (ITEMS# 9, 9A, 54), 02/17/2023, Z.D.

PART# ELIM DHJ500LUF

PROPRIETARY AND CONFIDENTIAL
 THE INFORMATION CONTAINED IN THIS DRAWING IS THE SOLE PROPERTY OF FRUITLAND MANUFACTURING. ANY REPRODUCTION IN PART OR AS A WHOLE WITHOUT THE WRITTEN PERMISSION OF FRUITLAND MFG. IS PROHIBITED.

NAME	DATE	 324 Leaside Avenue Stoney Creek, Ontario, CANADA L8E 2N7 Phone: (905) 662-6552 Fax: (905) 662-9875
CREATED	Z.D. 09/04/2020	
CHECKED	K.A. 09/04/2020	TITLE: ELIM DHJ500LUF HATZ DIESEL JETTER BOM
UNLESS OTHERWISE SPECIFIED: DIMENSIONS ARE IN INCHES TOLERANCES: FRACTIONAL OR .X = ±.015 .XX = ±.010 .XXX = ±.005		DWG. NO. ELIM DHJ500LUF BOM
MATERIAL	--	SCALE: 1:18
		WEIGHT:--
		SHEET: 1 OF 2

5

4

3

2

1

ITEM #	PART #	DWG #	DESCRIPTION	QTY.
1	EDHJ-500-01	EDHJ-500-01	ELIM DIESEL HATZ FRAME	1
2	500LUF		VACUUM PUMP	1
3	ENGINE-3H50TIC		HATZ DIESEL ENGINE	1
3A	ED-14-01		ELIM D (HATZ) MUFFLER EXTENTION	1
4	ED-12-A4		SK 1.5" BUSHING	2
5	RF500-38		6" SHEAVE 4 GROOVE B SECT.	1
6	SF42		TAPER PUMP BUSHING - 42mm BORE	1
7	5B12.4L		SHEAVE 12.4 SF 4 GR. B SECT.	1
8	ED500-A1		BX70 V-BELT	4
9	EDS-BG0	EDS-BG0	ELIM D 500-870 HATZ BELT GUARD ASSM	1
9A	EDS-BGJ	EDS-BGJ	ELIM DJ 500-870 JETTER GUARD ASSM	1
10	EDF-J-14	FRU-EDF-14	DEISEL FUEL TANK	1
11	RF500-M09	M09C-BOM	MUFFLER M09	1
12	FA-3NTP-M	FA-3NPT-M	3" NPT THREADED FLANGE	2
13	RF500-57		DIVERTER VALVE FLANGE GASKET	1
14	FAM09		FLANGE MUFFLER SIDE	1
15	VB		1-1/2" VACUUM RELIEF VALVE	1
16	3" RUBBER HOSE		3" RUBBER MUFFLER HOSE, 16.75" LG.	1
17	FAM09-04		3" HOSE CLAMP M8 86-91mm MIKILOR	2
18	1/2" NPT PIPE PLUG		1/2" NPT PIPE PLUG	1
19	ED-12-A5		BATTERY	1
20	BATTERY BOX		BATTERY BOX	1
21	BATTERY KIT		BATTERY HOLD DOWN CLAMP KIT	1
22A	ED-12-A6		BATTERY TERMINAL TOP	2
22B	ED-12-A7		4GA TUB LUG	2
22C	WIRE 4 AWG B		4AWG BLACK PVC BATTRY CABLE, 5 FEET LG.	1
22D	WIRE 4 AWG R		4AWG RED PVC BATTRY CABLE, 4 FEET LG.	1
23	ED-CP-01		HATZ CONTROL PANEL FOR AN ELIM DIESEL	1
24	EDF-12-A11		5/16" I.D. DIESEL FUEL HOSE 2FT	3
25	EDF-12-A12		5/16" HOSE CLIP	5
26	ED-16-01	ED-870-VBM-INST	ELIM D MOUNTS, TWO PIECE RUBBERT	4
27	ED-16-02	ED-870-VBM-INST	ELIM D MOUNT REBOUND WASHER	8
28	ED-870-03	ED-870-VBM-INST	SPACER FOR VIBRATION MOUNT ELIM-Ds	4
29	INCL. W ENGINE		ELECTRIC FUEL PUMP	1
30	EDF-HOSE		HOSE FOR ELIM D 2-3/4" ID BLACK SILOCONE (HATZ)	1
31	INCL. W ENGINE		FUEL PREFILTER	1
32	INCL. W ENGINE		AIR FILTER HOUSING	1
33	EDF-HOSE-ELBOW		ELBOW FOR ELIM D 2-3/4" ID 90 BLACK SIL. (HATZ)	1
33A	EDF-HOSE-JOINER		HOSE JOINER FOR ELIM D 2-3/4" ID BLACK SIL. (HATZ)	1
34	ED-21-BT	ED-21-BT	BELT TENSIONER PLATE ASSEMBLY	2
51	EDJ-20-04	EDJ-20-04-ASSM	ELIM DJ PLATE ASSEMBLY	1
52	7CP		CAT 7CP6110.AFR JETTER PUMP FOR ELIM D COMPLETE WITH ALL FITTINGS AND ACCESORIES	1
53	EDJ-14-10		POLY-V L SECTION 8 GROOVE PULLEY	1
54	EDJ-14-11		POLY V BELT 560, 8 GROOVE SECTION	1
57			2-3/4" HOSE CLAMP 2-1/2" TO 3-1/4"	4

ELIM DHJ500LUF HATZ DIESEL WITH JETTER PUMPS BOM

5


4

ITEM #	PART #	DWG #	DESCRIPTION	QTY.
FASTENERS				
F1	5/16" X 1 HEX BOLT		5/16" NC x 1" LG. Z.P. HEX BOLT	4
W1	5/16" WASHER		5/16" Z.P. FLAT WASHER	7
N1	5/16" NLYOCK NUTS		5/16" NC NYLOCK HEX NUT	5
F2	HBI-380-131		3/8" NC HEX HEAD BOLT, 1.25" LG.	11
W2	3/8"F/W-SAE		3/8" Z.P. FLAT WASHER - SMALL	23
W3	3/8"F/W-USS		3/8" Z.P. FLAT WASHER - LARGE	2
N2	3/8" NYLOCK NUTS		3/8" NC NYLOCK HEX NUT	11
F3	1/2X2-1/2"		1/2" NC x1-1/2" LG. Z.P. HEX BOLT	4
W4	1/2" FLAT WASHER		1/2" Z.P. FLAT WASHER	20
N3	1/2" NY-LOCK NUTS ZP		1/2" Z.P. NYLOCK HEX NUT	4
N4	1/2" NUT		1/2" ZINC PLATED NC HEX NUT	4
L1	1/2" L/W		1/2" LOCKWASHER	4
F4	HBI-620-301		5/8" NC x 3" LG. Z.P. HEX BOLT	4
W5	5/8" F/W-USS		5/8" Z.P. FLAT WASHER - LARGE	4
W6	5/8" F/W-SAE		5/8" Z.P. FLAT WASHER - SMALL	8
N5	5/8" NYLOCK NUT		5/8" NC NYLOCK HEX NUT	4
F5	M8X16HEX		8mm HEX HEAD BOLT, 8x1.25x16	2
N6	HNM-080-H1		8mm HEX NUT	4
F6	RF500-67A		10mm HEX HEAD BOLT, 10x1.5x30	4
L6	RF120-94A		10mm LOCK WASHER	4
SB1	HBI-380-625		3/8" x 5/8" WITH 5/16"-18 NC SHOULDER BOLT	5
RW1	ED-16-03A		ED FRAME RUBBER WASHER	20
F7	HBI-881-552		7/8"-14 NF x 5.5" LG. HEX BOLT GRADE 8	4
N7	HNI-871-N1		7/8"-14 NF NYLOCK HEX NUT	4
RW2	ED-16-03		ED FRAME RUBBER WASHER (1/2" Thick)	6
CS	EDF-19-A1		COMPRESSION SPRING	6
F8	HBI-501-352		1/2"-20 NF x 3 -1/2" LG. Z.P. HEX BOLT	6
N8	RF500-137A		10mm HEX NUT	4
N9	HNI-250-N1		1/4" Z.P. NYLOCK HEX NUT	5
F9	HBI-250-101		1/4" NC x 1" LG. Z.P. HEX BOLT	5
W7	HWI-250-01		1/4" Z.P. FLAT WASHER	10
F10	HBI-310-151		5/16" NC x 1-1/2" LG. Z.P. HEX BOLT	2
W8	HWI-310-41		5/16" Z.P. FLAT WASHER - LARGE (USS)	4
N10	HNI-501-N2		1/2"-20 NF Y.Z.P. NYLOCK HEX NUT	6
N11	HNI-620-N1		5/8" NC HEX NUT Z.P.	4

REV. P1, UPDATED BOM, 11/09/2020, Z.D.
 REV. P2, UPDATED FRAME & BOM, 09/17/2021, Z.D.
 REV. P3, UPDATED FRAME, COMPANY LOGO & BOM (ITEMS# 9, 9A, 54), 02/17/2023, Z.D.

PART# ELIM DHJ500LUF

PROPRIETARY AND CONFIDENTIAL
 THE INFORMATION CONTAINED IN THIS DRAWING IS THE SOLE PROPERTY OF FRUITLAND MANUFACTURING. ANY REPRODUCTION IN PART OR AS A WHOLE WITHOUT THE WRITTEN PERMISSION OF FRUITLAND MFG. IS PROHIBITED.

	NAME	DATE	 324 Leaside Avenue Stoney Creek, Ontario, CANADA L8E 2N7 Phone: (905) 662-6552 Fax: (905) 662 9875	
CREATED	Z.D	09/04/2020		
CHECKED	K.A.	09/04/2020	TITLE: ELIM DHJ500LUF HATZ DIESEL JETTER BOM	
UNLESS OTHERWISE SPECIFIED: DIMENSIONS ARE IN INCHES			DWG. NO. ELIM DHJ500LUF BOM	
TOLERANCES: FRACTIONAL OR .X = ±.015 .XX = ±.010 .XXX = ±.005			REV P3	
MATERIAL	--	SCALE: 1:18	WEIGHT:--	SHEET: 2 OF 2

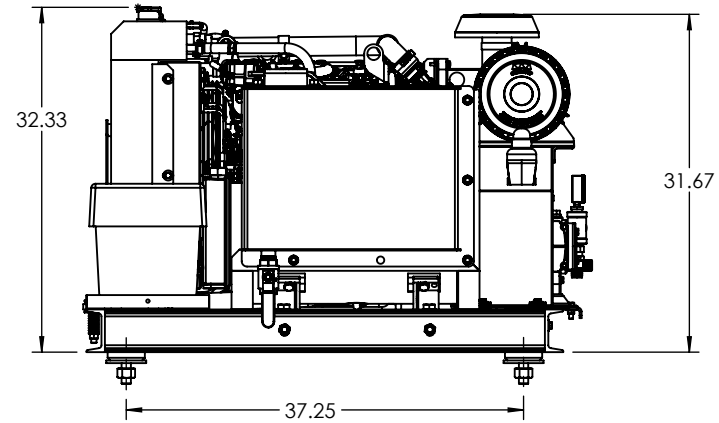
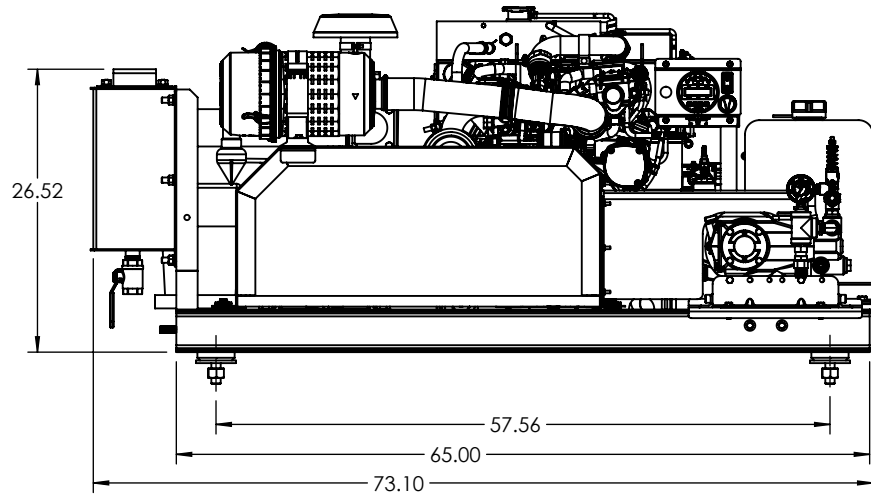
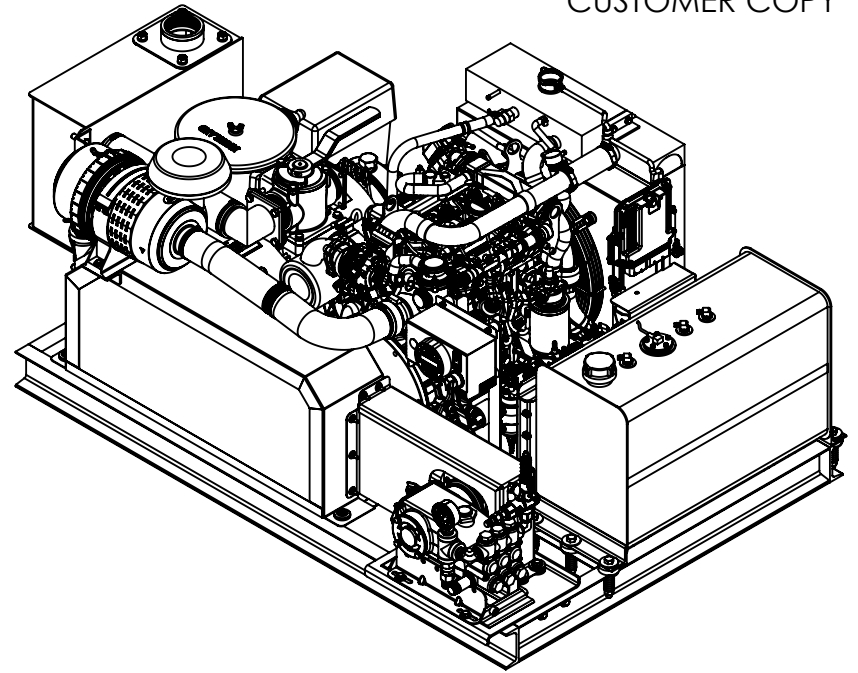
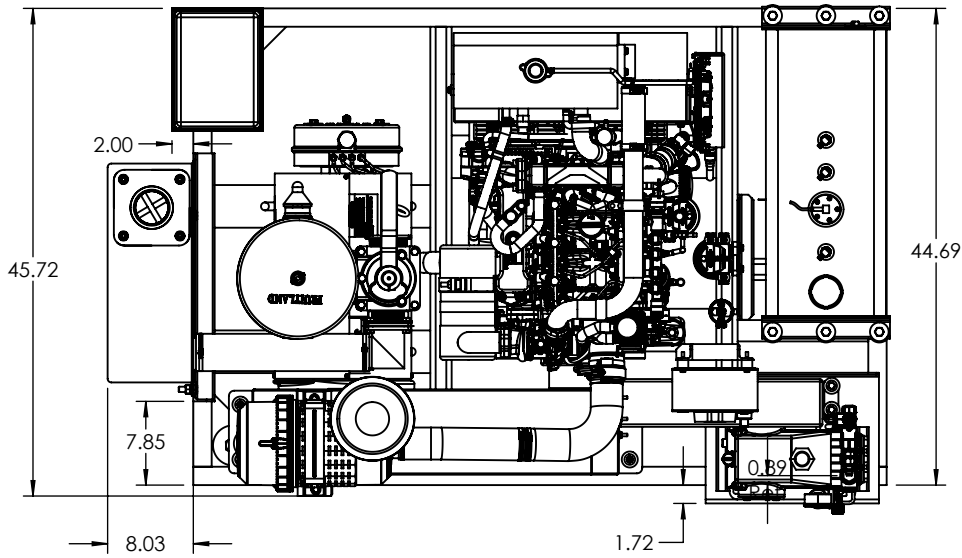
3

2

1

ELIM DHJ500LUF HATZ DIESEL WITH JETTER PUMPS DIMS.

CUSTOMER COPY




PART # ELIM DHJ500LUF

REV. P1, UPDATED BOM, 11/09/2020, 2.D.
 REV. P2, UPDATED FRAME, 09/17/2021, 2.D.
 REV. P3, UPDATED FRAME, COMPANY LOGO, 02/17/2023, 2.D.



PROPRIETARY AND CONFIDENTIAL
 THE INFORMATION CONTAINED IN THIS DRAWING IS THE SOLE PROPERTY OF FRUITLAND MANUFACTURING. ANY REPRODUCTION IN PART OR AS A WHOLE WITHOUT THE WRITTEN PERMISSION OF FRUITLAND MFG. IS PROHIBITED.

	NAME	DATE	 324 Leaside Avenue Stoney Creek, Ontario, CANADA L8E 2N7 Phone: (905) 662-6552 Fax: (905) 662-9875
CREATED	Z.D.	09/04/2020	
CHECKED	K.A.	09/04/2020	TITLE:
			ELIM DHJ500LUF Hatz Diesel Jetter Dims.
			DWG. NO.
			ELIM DHJ500LUF
			REV
			P3
MATERIAL	--	SCALE: 1:18	WEIGHT:--

5

4

3

2

1