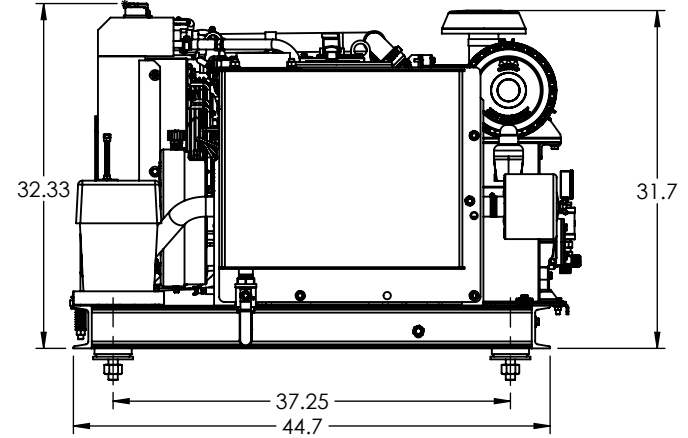
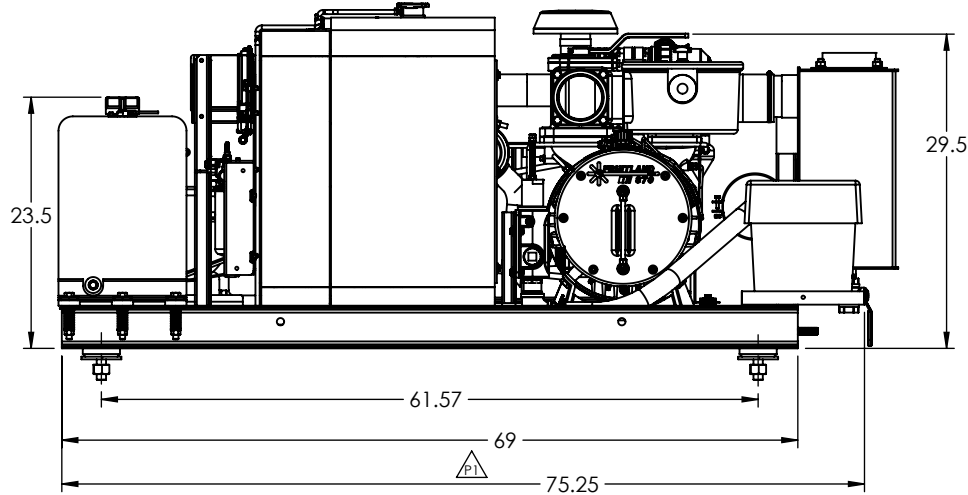
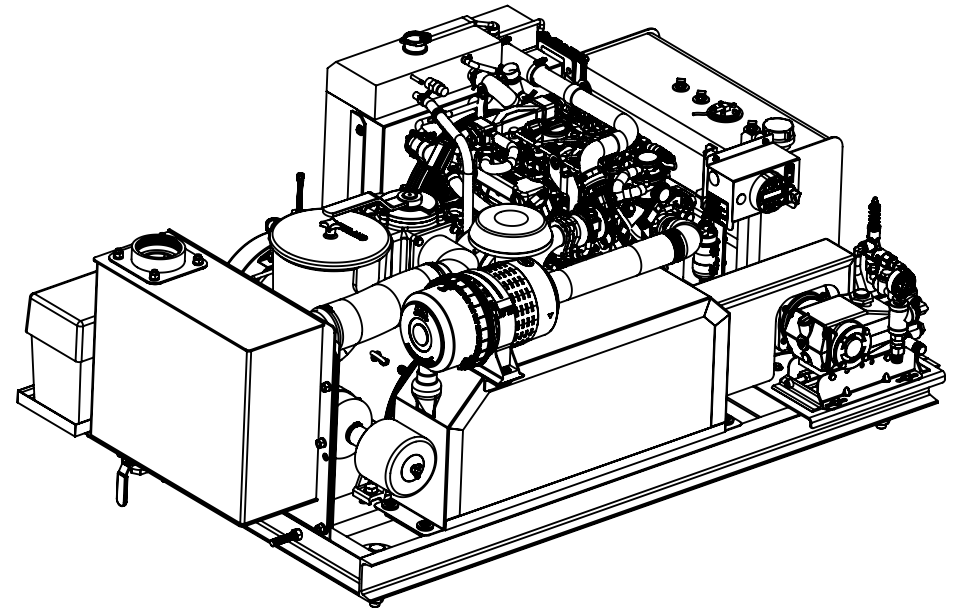
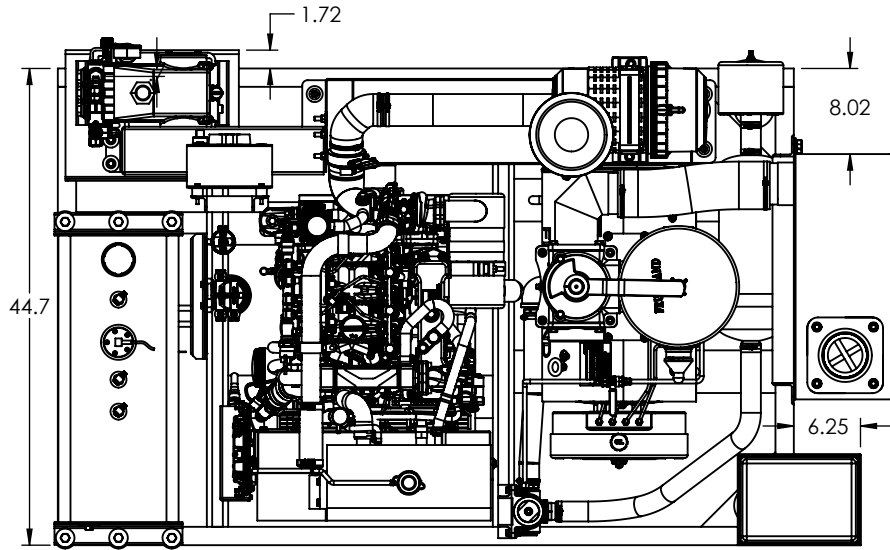



ELIM DHJ870LUF HATZ DIESEL WITH JETTER PUMPS DIMS.

CUSTOMER COPY



PART# ELIM DHJ870LUF

PROPRIETARY AND CONFIDENTIAL
 THE INFORMATION CONTAINED IN THIS DRAWING IS THE SOLE PROPERTY OF FRUITLAND MANUFACTURING. ANY REPRODUCTION IN PART OR AS A WHOLE WITHOUT THE WRITTEN PERMISSION OF FRUITLAND MFG. IS PROHIBITED.

	NAME	DATE		324 Leaside Avenue Stoney Creek, Ontario, CANADA L8E 2N7 Phone: (905) 662-6552 Fax: (905) 662-9875	
CREATED	Z.D.	12/11/2020		TITLE:	ELIM DHJ870LUF HATZ DIESEL JETTER
CHECKED	K.A.	12/11/2020	DWG. NO.	ELIM DHJ870LUF DIMS	REV P5
UNLESS OTHERWISE SPECIFIED: DIMENSIONS ARE IN INCHES TOLERANCES: FRACTIONAL OR .X = ±.015 .XX = ±.010 .XXX = ±.005			SCALE: 1:16	WEIGHT:--	
MATERIAL	--				

REV. P1, UPDATED BOM PART #5 07/07/2021, A.C.
 REV. P2, UPDATED FRAME & BOM 09/14/2021, Z.D.
 REV. P3, UPDATED FRAME, BELT GUARD, JETTER ATTACHMENT & COMPANY LOGO IN TITLE BLOCK, 12/21/2021, Z.D.
 REV. P4, UPDATED BOM (W2, S81, RW1, F5, N6, F7, N8, F9, W7, N9, F10, W8) 11/17/2022, Z.D.
 REV. P5, UPDATED FRAME, BELT GUARD & BELT SIZE (REMS# 8, 9, 9A), POLY V BELT SIZE (REMS# V34) 02/17/2023, Z.D.

5

4

3

2

1

ITEM #	PART #	DRAWING #	DESCRIPTION	QTY.
1	EDHJ-870-01	EDHJ-870-01	ELIM DJ870 HATZ BASE FRAME	1
2	870LUF		870 VACUUM PUMP	1
3	ENGINE-3H50TIC		HATZ DIESEL ENGINE 56 HP, 2800RPM	1
3A	ED-14-01		ELIM D (HATZ) MUFFLER EXTENTION	1
4	ED-12-A4		SK 1.5" BUSHING	2
5	RF500-38		6" SHEAVE 4 GROOVE B SECT.	1
6	SF42		TAPER PUMP BUSHING - 42mm BORE	1
7	4B12.4L		SHEAVE 12.4 SF 4 GR. B SECT.	1
8	ED-870-A1		BX71 V-BELT	4
9	EDS-BG0	EDS-BG0	ELIM D 500-870 HATZ BELT GUARD ASSM	1
9A	EDS-BGJ	EDS-BGJ	ELIM DJ 500-870 JETTER GUARD ASSM	1
10	EDF-J-14	FRU-EDF-J-14	DIESEL FUEL TANK	1
11	RF870-M14	M14-BOM	MUFFLER M14	1
12	FL14	FL14	ELIM 870 4" FLANGE	1
13	RF870-65		DIVERTER GASKET FOR RF870	1
14	VB		1-1/2" VACUUM RELIEF VALVE	1
15	4" BLOWER HOSE		Ø 4" RUBBER MUFFLER HOSE, 15.25" LG.	1
16	MKL-121-SP		Ø 4" HOSE CLAMP, MIKALOR M8 113-121mm	2
18	ED-12-A5		BATTERY	1
19	BATTERY BOX		BATTERY BOX	1
20	BATTERY KIT		BATTERY HOLD DOWN CLAMP KIT	1
20A	ED-12-A 6		BATTERY TERMINAL TOP	2
20B	ED-12-A7		4GA TUB LUG	2
20C	WIRE 4 AWG B		4AWG BLACK PVC BATTERY CABLE, 5 FEET LG.	1
20D	WIRE 4 AWG R		4AWG RED PVC BATTERY CABLE, 4 FEET LG.	1
21	ED-CP-01		HATZ CONTROL PANEL FOR AN ELIM DIESEL	1
22	EDF-12-A11		5/16" I.D. DIESEL FUEL HOSE 2FT	3
23	EDF-12-A12		5/16" HOSE CLIP	5
24	RF870-AI		AIR INJECTION VALVE (FOR 870 PUMP)	1
25	1.25" NPT-BRB		BARBED FITTING 1.25 NPT-1.5 BARB HOSE	2
26	M14-AI		AIR INJECTION MUFFLER	1
27	M14-AI-B		AIR INJECTION MUFFLER BRACKET	2
28	AI-870-F		AIR INJECTION FILTER	1
29	1.5" HOSE EXFL		1.5" HOSE GOODYEAR PLICORD EXTREMEFLEX, 4" LG	1
30	1.5" HOSE EXFL		1.5" HOSE GOODYEAR PLICORD EXTREMEFLEX, 14" LG	1
31	1.5" HOSE CLIP		1.5" HOSE CLAMP M8 52-55	6
32	1.5" HOSE EXFL		1.5" HOSE GOODYEAR PLICORD EXTREMEFLEX, 27.5" LG.	1
33	AI-870-83		SS BRAIDED HOSE 1/4" NPT 14" LONG	1
34	AI-870-84		SS BRAIDED HOSE 1/4" NPT 23" LONG	1
36	ED-16-01	ED-870-VBM-INST	ELIM D MOUNTS, TWO PIECE	4
37	ED-16-02	ED-870-VBM-INST	ED FRAME VIBRATION MOUNT REBOUND WASHER	8
38	ED-870-03	ED-870-VBM-INST	SPACER FOR VIBRATION MOUNT ELIM-Ds	4
39	1/2" NPT PIPE PLUG		1/2" NPT PIPE PLUG	1
40	DBV31-B		1/4" BALL VALVE	1
41	RF250-32A		90° BRASS ELBOW 1/4" NPT MF	1
42	AI-870-81		BALL VALVE HOLDER HEX	1
43	AI-870-82		BALL VALVE HOLDER ROUND	1
44	FPN-121-030-CS		NIPPLE 1-1/4" NPT 3.0" LG.	1
45	RF870-71-A		1-1/4" NPT STREET ELBOW	1
46	INCL. W ENGINE		ELECTRIC FUEL PUMP	1
47	INCL. W ENGINE		FUEL PREFILTER	1
48	EDF-HOSE-ELBOW		ELBOW FOR ELIM D 2-3/4" ID 90 BLACK SIL. (HATZ)	1
48A	EDF-HOSE-JOINER		HOSE JOINER FOR ELIM D 2-3/4" ID BLACK SIL. (HATZ)	1
49	INCL. W ENGINE		AIR FILTER HOUSING (HATZ DIESEL)	1

ITEM#	PART#	DRAWING #	DESCRIPTION	QTY.
51	EDJ-20-04	EDHJ-20-04-ASSM	ELIM DJ PLATE ASSEMBLY	1
52	7CP		CAT 7CP6110.AFR JETTER PUMP FOR ELIM D Complete with all fittings and accessories	1
53	EDJ-14-10		POLY-V L SECTION 8 GROOVE PULLEY	1
54	EDJ-14-11		POLY V BELT 560, 8 GROOVE SECTION	1
55	EDF-HOSE		HOSE FOR ELIM D 2-3/4" ID BLACK SILOCONE (HATZ)	1
56	ED-21-BT	ED-21-BT	BELT TENSIONER PLATE ASSM	2
57			2-3/4" HOSE CLAMP 2-1/2" TO 3-1/4"	4
FASTENERS				
F1	5/16X1-BOLT		5/16" NC x 1" LG. Z.P. HEX BOLT	6
W1	5/16" WASHER		5/16" Z.P. FLAT WASHER	15
N1	5/16" NYLOCK NUTS		5/16" NC NYLOCK HEX NUT	11
F2	HBI-380-131		3/8" NC HEX HEAD BOLT, 1.25" LG.	11
W2	3/8"F/W-SAE		3/8" Z.P. FLAT WASHER - SMALL	23
W3	3/8"F/W-USS		3/8" Z.P. FLAT WASHER - LARGE	2
N2	3/8" NYLOCK NUTS		3/8" Z.P. NYLOCK HEX NUT	11
F3	1/2" X 1-1/2"		1/2" NC x 1-1/2" LG. Z.P. HEX BOLT	4
W4	1/2" FLAT WASHER		1/2" Z.P. FLAT WASHER	20
N3	1/2" NY-LOCK NUTS		1/2" Z.P. NYLOCK HEX NUT	4
N4	1/2"NUT		1/2" Z.P. HEX NUT	4
L1	1/2" L/W		1/2" LOCKWASHER	4
F4	HBI-620-301		5/8" NC x 3" LG. Z.P. HEX BOLT	4
W5	5/8" F/W-USS		5/8" Z.P. FLAT WASHER - LARGE	4
W6	5/8" F/W-SAE		5/8" Z.P. FLAT WASHER - SMALL	8
N5	5/8" NYLOCK NUTS		5/8" Z.P. NYLOCK HEX NUT	4
F5	M8X16HEX		8mm HEX HEAD BOLT, 8x1.25x16	2
N6	HNM-080-H1		8mm HEX NUT	4
F6	RF500-67A		10mm HEX HEAD BOLT, 10x1.5x30	4
L6	RF120-94A		10mm LOCK WASHER	4
SB1	HBI-380-625		3/8" x 5/8" WITH 5/16"-18 NC SHOULDER BOLT	3
RW1	ED-16-03A		ED FRAME RUBBER WASHERS	20
F7	HBI-881-552		7/8"-14 NF x 5.5" LG. HEX BOLT GRADE 8	4
N7	HNI-871-N1		7/8"-14 NF NYLOCK HEX NUT	4
RW2	ED-16-03		ED FRAME RUBBER WASHER (1/2" Thick)	6
CS	EDF-19-A1		COMPRESSION SPRING	6
F8	HBI-501-352		1/2"-20 NF x 3 -1/2" LG. Z.P. HEX BOLT	6
F9	HBI-250-101		1/4" NC x 1" LG. Z.P. HEX BOLT	5
W7	HWI-250-01		1/4" Z.P. FLAT WASHER	10
N9	HNI-250-N1		1/4" Z.P. NYLOCK HEX NUT	5
F10	HBI-310-151		5/16" NC x 1-1/2" LG. Z.P. HEX BOLT	2
W8	HWI-310-41		5/16" Z.P. FLAT WASHER - LARGE (USS)	4
N10	HNI-501-N2		1/2"-20 NF Y.Z.P. NYLOCK HEX NUT	6
N11	HNI-620-N1		5/8" NC HEX NUT Z.P.	4


ELIM DHJ870LUF HATZ DIESEL WITH JETTER PUMPS BOM

REV. P1, UPDATED BOM PART #5 07/07/2021, A.C.
REV. P2, UPDATED FRAME & BOM 09/14/2021, J.D.
REV. P3, UPDATED FRAME, BELT GUARD, JETTER ATTACHMENT & COMPANY LOGO IN TITLE BLOCK, 12/21/2021, J.D.
REV. P4, UPDATED BOM (W2, S1, RW1, F5, N6, F7, N8, F9, W7, N9, F10, W8) 11/17/2022, J.D.
REV. P5, UPDATED FRAME, COMPANY LOGO & BOM (ITEMS # 8, 9, 9A, 54) 02/17/2023, J.D.

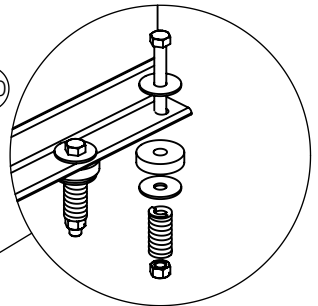
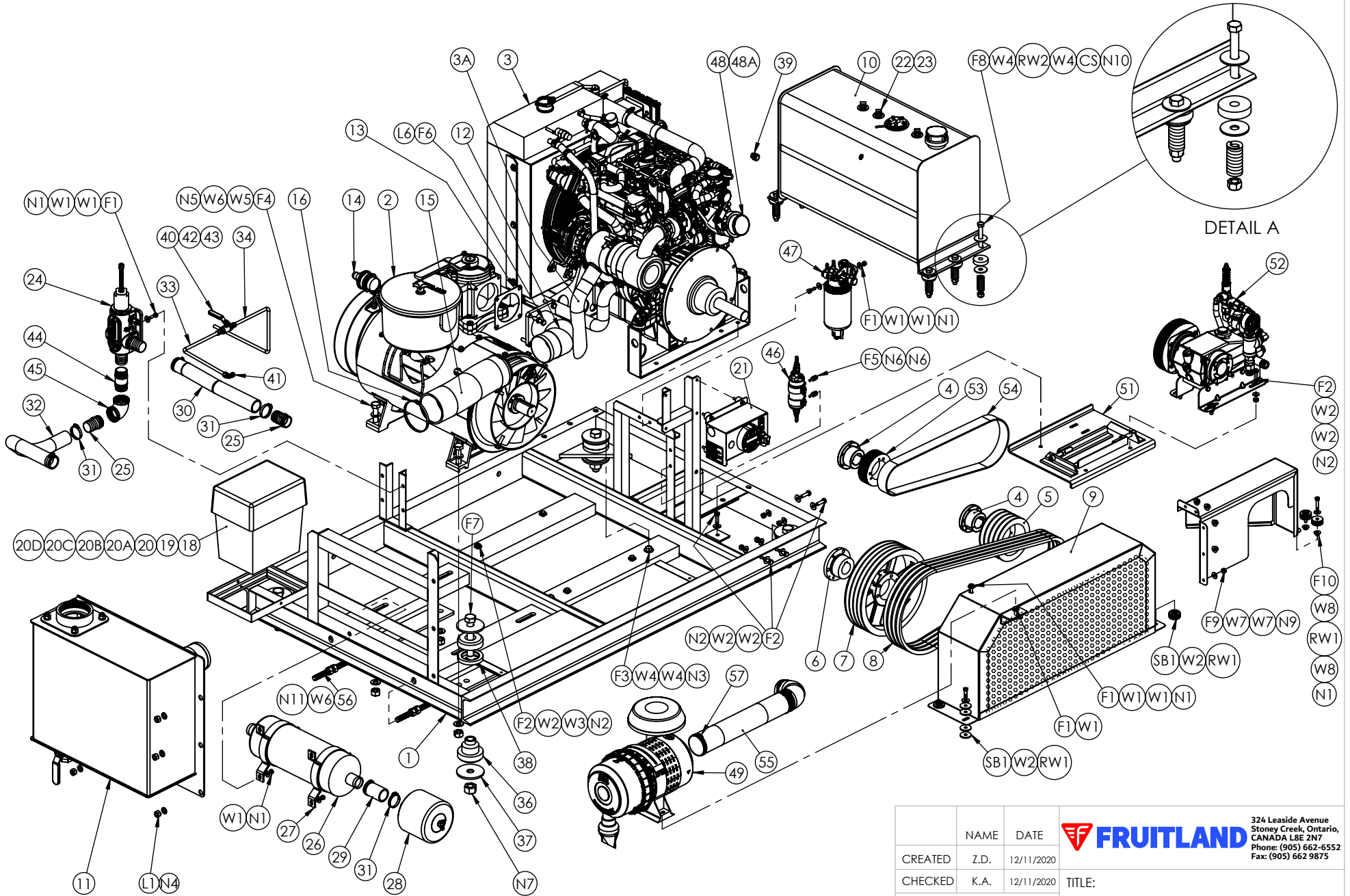
PART# ELIM DHJ870LUF

PROPRIETARY AND CONFIDENTIAL

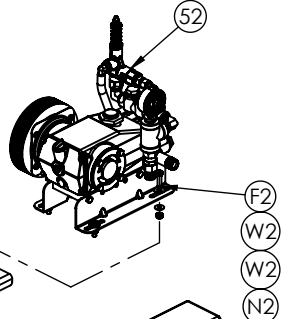
THE INFORMATION CONTAINED IN THIS DRAWING IS THE SOLE PROPERTY OF FRUITLAND MANUFACTURING. ANY REPRODUCTION IN PART OR AS A WHOLE WITHOUT THE WRITTEN PERMISSION OF FRUITLAND MFG. IS PROHIBITED.

	NAME	DATE	 324 Leaside Avenue Stoney Creek, Ontario, CANADA L8E 2N7 Phone: (905) 662-6552 Fax: (905) 662-9875
CREATED	Z.D.	12/11/2020	
CHECKED	K.A.	12/11/2020	
UNLESS OTHERWISE SPECIFIED: DIMENSIONS ARE IN INCHES TOLERANCES: FRACTIONAL OR .X = ±.015 .XX = ±.010 .XXX = ±.005			TITLE: ELIM DHJ870LUF HATZ DIESEL JETTER BOM
MATERIAL			DWG. NO. ELIM DHJ870LUF BOM
SCALE: 1:16			REV P5
WEIGHT:--			SHEET: 1 OF 2

ELIM DHJ870LUF HATZ DIESEL WITH JETTER PUMPS BOM




DETAIL A



PART# ELIM DHJ870LUF

REV. P1, UPDATED BOM PART #S: 07/07/2021, A.C.
 REV. P2, UPDATED FRAME & BOM: 09/14/2021, J.D.
 REV. P3, UPDATED FRAME, BELT GUARD, JETTER ATTACHMENT & COMPANY LOGO IN TITLE BLOCK, 12/21/2021, J.D.
 REV. P4, UPDATED BOM (W2, SB1, RW1, F5, N6, F7, N8, F9, W7, N9, F10, W8): 11/17/2022, J.D.
 REV. P5, UPDATED FRAME, COMPANY LOGO & BOM (ITEM# 9, PA, SA): 02/17/2023, J.D.

PROPRIETARY AND CONFIDENTIAL
 THE INFORMATION CONTAINED IN THIS DRAWING IS THE SOLE PROPERTY OF FRUITLAND MANUFACTURING. ANY REPRODUCTION IN PART OR AS A WHOLE WITHOUT THE WRITTEN PERMISSION OF FRUITLAND MFG. IS PROHIBITED.

	NAME	DATE	 324 Leaside Avenue Stoney Creek, Ontario, CANADA L3E 2N7 Phone: (905) 662-6552 Fax: (905) 662 9875
CREATED	Z.D.	12/11/2020	
CHECKED	K.A.	12/11/2020	
TITLE:			ELIM DHJ870LUF HATZ DIESEL JETTER BOM
DWG. NO.			ELIM DHJ870LUF BOM
REV			P5
MATERIAL	--	SCALE: 1:16	WEIGHT:--
			SHEET: 2 OF 2