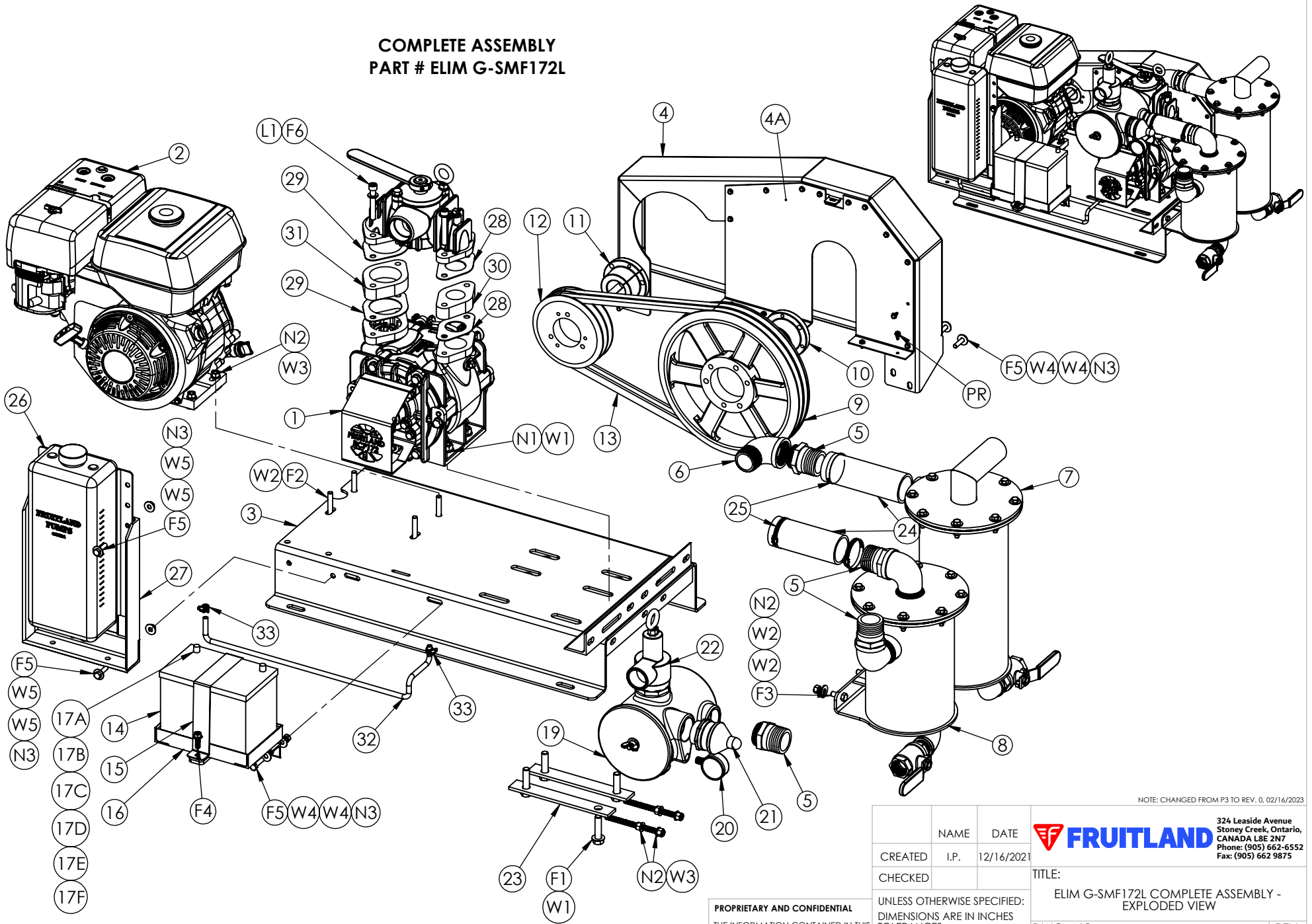



COMPLETE ASSEMBLY
PART # ELIM G-SMF172L



NOTE: CHANGED FROM P3 TO REV. 0, 02/16/2023

| | | | |
|---|------|------------|---|
| | NAME | DATE |  324 Leaside Avenue Stoney Creek, Ontario, CANADA L8E 2N7 Phone: (905) 662-6552 Fax: (905) 662-9875 |
| CREATED | I.P. | 12/16/2021 | |
| CHECKED | | | TITLE: ELIM G-SMF172L COMPLETE ASSEMBLY - EXPLODED VIEW |
| UNLESS OTHERWISE SPECIFIED: DIMENSIONS ARE IN INCHES TOLERANCES: FRACTIONAL OR .X = ±.015 .XX = ±.010 .XXX = ±.005 | | | DWG. NO. ELIM G-SMF172L |
| MATERIAL | | | REV 0 |
| SCALE: 1:10 | | WEIGHT:-- | SHEET 1 OF 3 |

PROPRIETARY AND CONFIDENTIAL
THE INFORMATION CONTAINED IN THIS DRAWING IS THE SOLE PROPERTY OF FRUITLAND MANUFACTURING. ANY REPRODUCTION IN PART OR AS A WHOLE WITHOUT THE WRITTEN PERMISSION OF FRUITLAND MFG. IS PROHIBITED.

REV. 0; UPDATED SHEAVE & BUSHING PART INFO, (ITEMS 11 & 12), UPDATED BOM, 02/16/2023, LP.

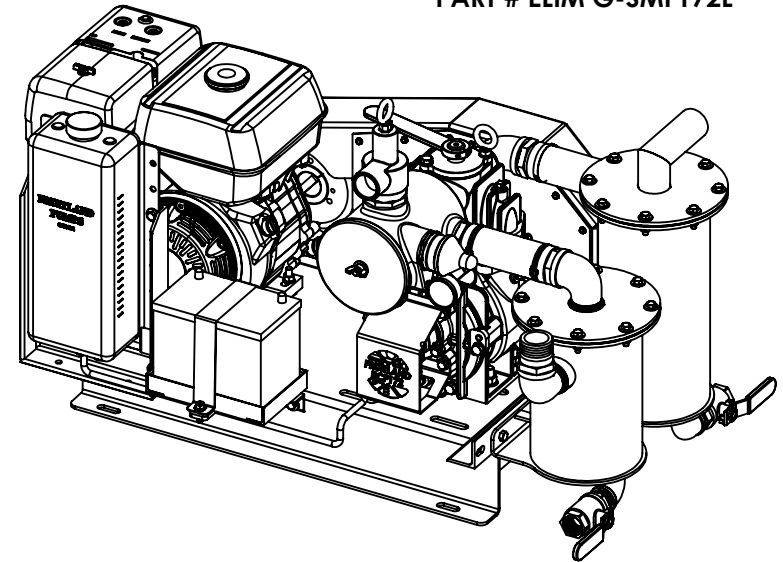
| ITEM # | PART # | DWG. # | DESCRIPTION | QTY. |
|--------|--------------------|----------------|--|------|
| 1 | 172L | | RCF172 VACUUM PUMP | 1 |
| 2 | 8628265 | | FRUITLAND 14HP GAS ENGINE, ELECTRIC START | 1 |
| 3 | ELIM-G344-01 | ELIM-G344-01 | ELIM G344 BASE FRAME ASSEMBLY | 1 |
| 4 | ELIM-G250-02 | ELIM-G250-02 | ELIM G250 BELT GUARD ASSEMBLY | 1 |
| 4A | ELIM-G344-024 | ELIM-G344-024 | G344 BELT GUARD WIRE MESH | 1 |
| 5 | RF344-15NPT-2BARB | | 1-1/2 NPT - 2" HOSE BARB CONNECTOR | 3 |
| 6 | CVSP-3100-1.5"FM90 | | 90° STREET ELBOW - 1-1/2" NPT | 1 |
| 7 | MUA-207-180-CS | MUA-207-140-CS | M21 MUFFLER ASSEMBLY | 1 |
| 8 | SSA-207-140-CS | SSA-207-140-CS | S21 SECONDARY ASSEMBLY | 1 |
| 9 | 2B12.4L | 2B12.4L | SHEAVE - 1.4 SF, 2 GROOVE, B SECT. | 1 |
| 10 | SF1.25 | PURCHASED | SH BUSHING FOR Ø1" SHAFT, 1/4" KEY | 1 |
| 11 | SH1 | PURCHASED | SH BUSHING FOR Ø1, 1/4" KEY | 1 |
| 12 | 2B44SH | | 4.4" SHEAVE, 2 GROOVE, B SECT. | 1 |
| 13 | ELIM-G250-03 | | BX55 V-BELT | 2 |
| 14 | ELIM-G250-04 | | BATTERY | 1 |
| 15 | ELIM-G250-041 | ELIM-G250-041 | BATTERY HOLD DOWN CLAMP | 1 |
| 16 | ELIM-G250-06 | ELIM-G250-06 | BATTERY FRAME | 1 |
| 17A | ELIM-G250-042 | | 8 GA BATTERY WIRE BLACK, 16" LONG | 1 |
| 17B | ELIM-G250-043 | | 8 GA BATTERY WIRE RED, 14" LONG | 1 |
| 17C | ELIM-G250-044 | | 8 GA COPPER EYELET | 2 |
| 17D | ELIM-G250-045 | | BATTERY TERMINAL BOOT - BLACK | 1 |
| 17E | ELIM-G250-046 | | BATTERY TERMINAL BOOT - RED | 1 |
| 17F | ELIM-G250-047 | | STARTER SOLENOID TERMINAL BOOT RED | 1 |
| 18 | M09-A-07 | | 1" NPT BALL VALVE | 2 |
| 19 | FAI-021-000-AL | FA21 | FA21 FILTER ASSEMBLY | 1 |
| 20 | PVG-2.5 | | PRESSURE GAUGE - 1/4" NPT | 1 |
| 21 | VB | | VACUUM RELIEF VALVE - 1-1/2" NPT | 1 |
| 22 | PRV-2" | | PRESSURE RELIEF VALVE - 2" NPT | 1 |
| 23 | ELIM G344-04 | ELIM G344-04 | PUMP MOUNTING BAR | 2 |
| 24 | 2" HOSE | | Ø2" RUBBER HOSE, 5" LONG | 2 |
| 25 | 2C-MIK60-63 | | CLAMPS FOR RUBBER HOSE (M10 64-67mm) | 4 |
| 26 | ELIM DG-172-04 | ELIM DG-172-04 | OIL RESERVOIR MOUNT | 1 |
| 27 | OR11-A-01 | | 6 QT. PLASTIC TANK W/ BREATHER CAP & 1/4" BARB FITTING | 1 |
| 28 | RF250-238 | | DIVERTER INTAKE FLANGE GASKET | 2 |
| 29 | RF250-251 | | DIVERTER EXHAUST FLANGE GASKET | 2 |
| 30 | 250-DSF-IN | 250-DSF | 250 SPACER FLANGES (1" THK.) - INTAKE | 1 |
| 31 | 250-DSF-EX | 250-DSF | 250 SPACER FLANGES (1" THK.) - EXHAUST | 1 |
| 32 | OR11-A-02 | | Ø1/4" ID FUEL LINE, 25" LONG | 1 |
| 33 | OR11-A-03 | | HOSE CLAMP, 7/32" - 5/8" (SAE) | 2 |

NOTE: FOR M21, S21, FA21 BOMS, SEE DWG. #s STATED ABOVE.

REV. Q: UPDATED SHEAVE & BUSHING PART INFO. (ITEMS 11 & 12), UPDATED BOM. 02/16/2023, I.P.

| HARDWARE | | | | |
|----------|-------------------|--|------|--|
| ITEM # | PART # | DESCRIPTION | QTY. | |
| F1 | HBI-500-201 | 1/2" NC x 2" LONG HEX HEAD BOLTS - Z.P. | 4 | |
| F2 | HBI-370-201 | 3/8" NC x 2" LONG HEX HEAD BOLTS - Z.P. | 4 | |
| F3 | HBI-370-151 | 3/8" NC x 1-1/2" LONG HEX HEAD BOLTS - Z.P. | 4 | |
| F4 | HBI-310-105 | 5/16" NC x 1" LONG FLAX FLANGE SERRATED BOLT | 1 | |
| F5 | HBI-301-001 | 5/16" NC x 1-1/4" LONG HEX HEAD BOLT - Z.P. | 10 | |
| F6 | | M10 x 1.5 x 70mm SHCS (70mm LONG) | 4 | |
| N1 | HNI-500-201 | 1/2" NC NYLOCK HEX NUTS | | |
| N2 | 3/8" NYLOCK NUTS | 3/8" NC NYLOCK HEX NUTS | 8 | |
| N3 | 5/16" NYLOCK NUTS | 5/16" NC NYLOCK HEX NUTS | 10 | |
| N4 | | 3/8" WING NUT - Z.P. | 1 | |
| L1 | RF120-94A | 10mm LOCK WASHER | 4 | |
| PR | FAW-RIVET | ALUMINUM BLIND RIVET W/ DOMED HEAD - Ø3/16", FOR .126"-.25" MATERIAL THICKNESS | 12 | |
| W1 | 1/2"/F/W-SAE | 1/2" Z.P. FLAT WASHER - SMALL | 8 | |
| W2 | 3/8" USS WASHER | 3/8" Z.P. FLAT WASHER - LARGE | 12 | |
| W3 | 3/8"/F/W-SAE | 3/8" Z.P. FLAT WASHER - SMALL | 8 | |
| W4 | 5/16" WASHER | 5/16" Z.P. FLAT WASHER | 20 | |

**COMPLETE ASSEMBLY
PART # ELIM G-SMF172L**

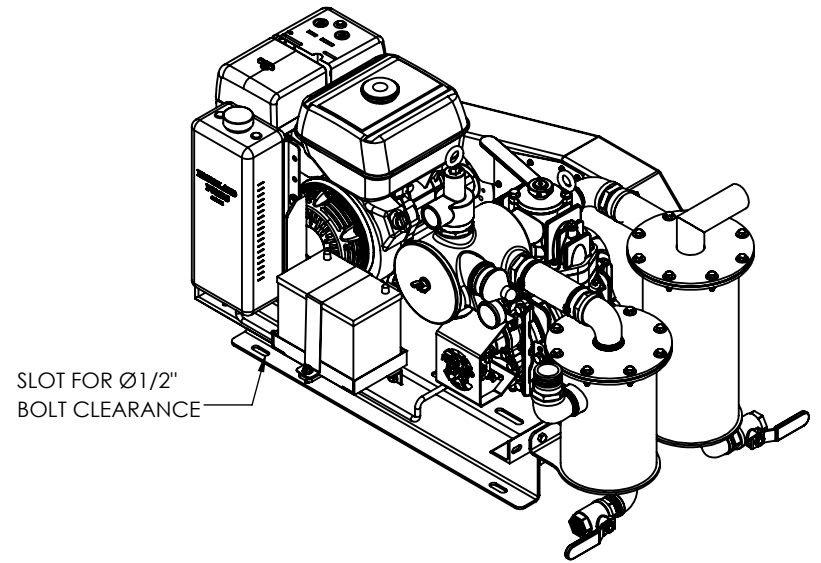
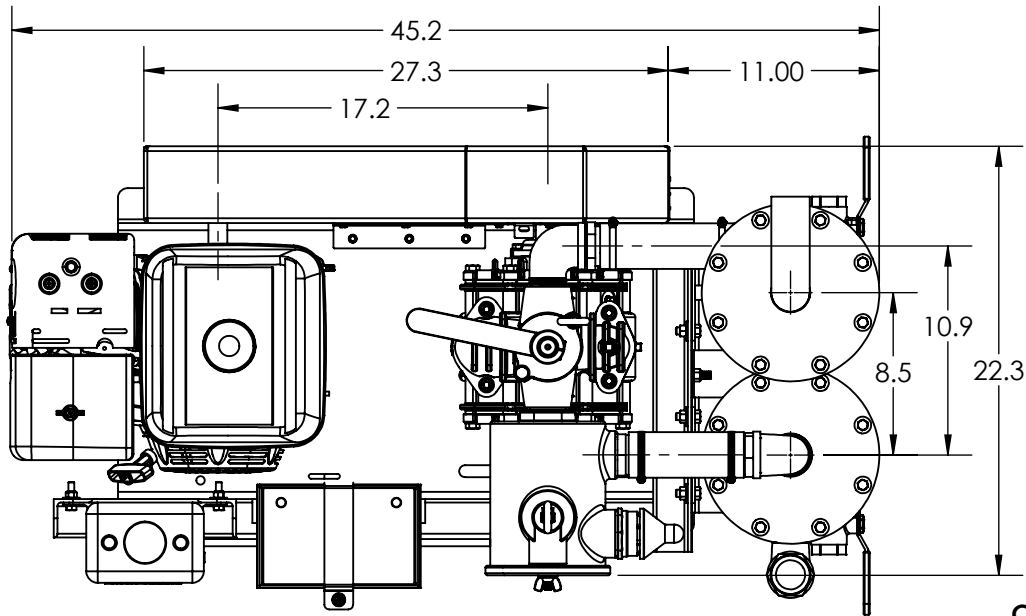


NOTE: CHANGED FROM P3 TO REV. 0, 02/16/2023

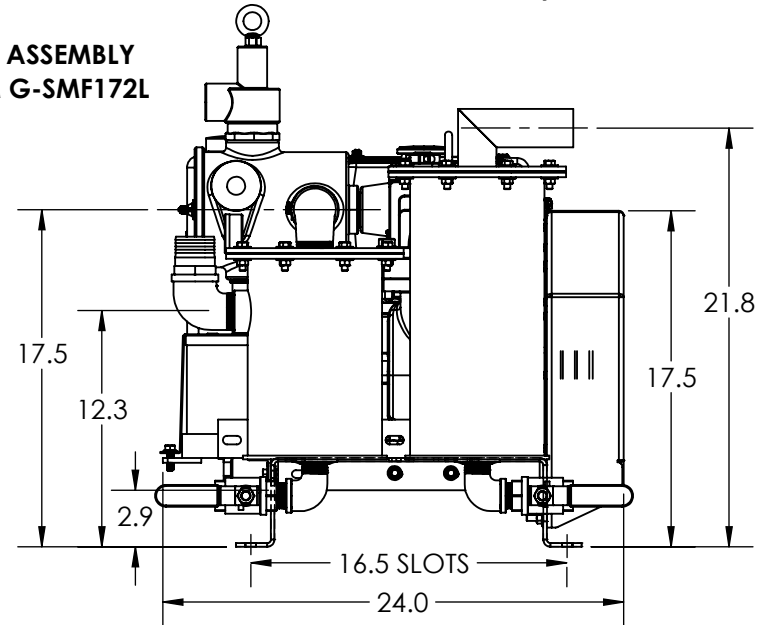
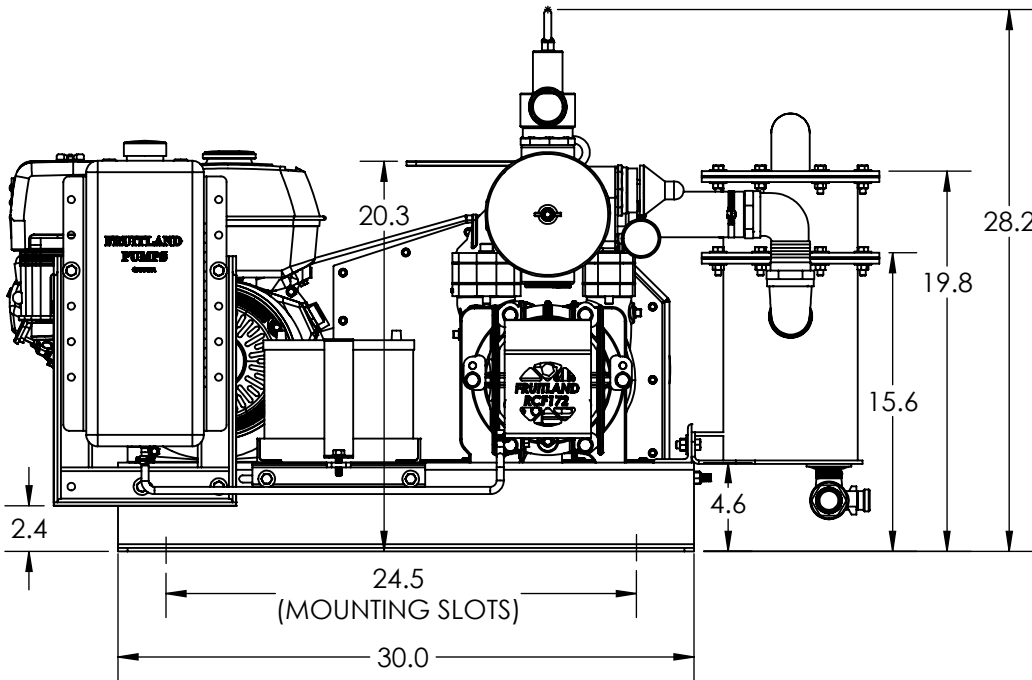
PROPRIETARY AND CONFIDENTIAL

THE INFORMATION CONTAINED IN THIS DRAWING IS THE SOLE PROPERTY OF FRUITLAND MANUFACTURING. ANY REPRODUCTION IN PART OR AS A WHOLE WITHOUT THE WRITTEN PERMISSION OF FRUITLAND MFG. IS PROHIBITED.


| | NAME | DATE | FRUITLAND | | 324 Leaside Avenue Stoney Creek, Ontario, CANADA L8E 2N7 Phone: (905) 662-6552 Fax: (905) 662-9875 |
|---|------|------------|----------------|-----------|--|
| CREATED | I.P. | 12/16/2021 | | | |
| CHECKED | | | TITLE: | | ELIM G-SMF172L COMPLETE ASSEMBLY - BOM |
| UNLESS OTHERWISE SPECIFIED: DIMENSIONS ARE IN INCHES TOLERANCES: FRACTIONAL OR .X = ±.015 .XX = ±.010 .XXX = ±.005 | | | DWG. NO. | | REV |
| MATERIAL | | | ELIM G-SMF172L | | 0 |
| | | | SCALE: 1:16 | WEIGHT:-- | SHEET 2 OF 3 |



**COMPLETE ASSEMBLY
PART # ELIM G-SMF172L**



PROPRIETARY AND CONFIDENTIAL
THE INFORMATION CONTAINED IN THIS DRAWING IS THE SOLE PROPERTY OF FRUITLAND MANUFACTURING. ANY REPRODUCTION IN PART OR AS A WHOLE WITHOUT THE WRITTEN PERMISSION OF FRUITLAND MFG. IS PROHIBITED.

| | | | | | |
|----------|------|------------|---|-----------|--------------|
| | NAME | DATE |  324 Leaside Avenue Stoney Creek, Ontario, CANADA L8E 2N7 Phone: (905) 662-6552 Fax: (905) 662-9875 | | |
| CREATED | I.P. | 12/16/2021 | | | |
| CHECKED | | | TITLE: | | |
| | | | ELIM G-SMF172L COMPLETE ASSEMBLY - DIMS | | |
| | | | DWG. NO. | REV | |
| | | | ELIM G-SMF172L | 0 | |
| MATERIAL | -- | | SCALE: 1:10 | WEIGHT:-- | SHEET 3 OF 3 |