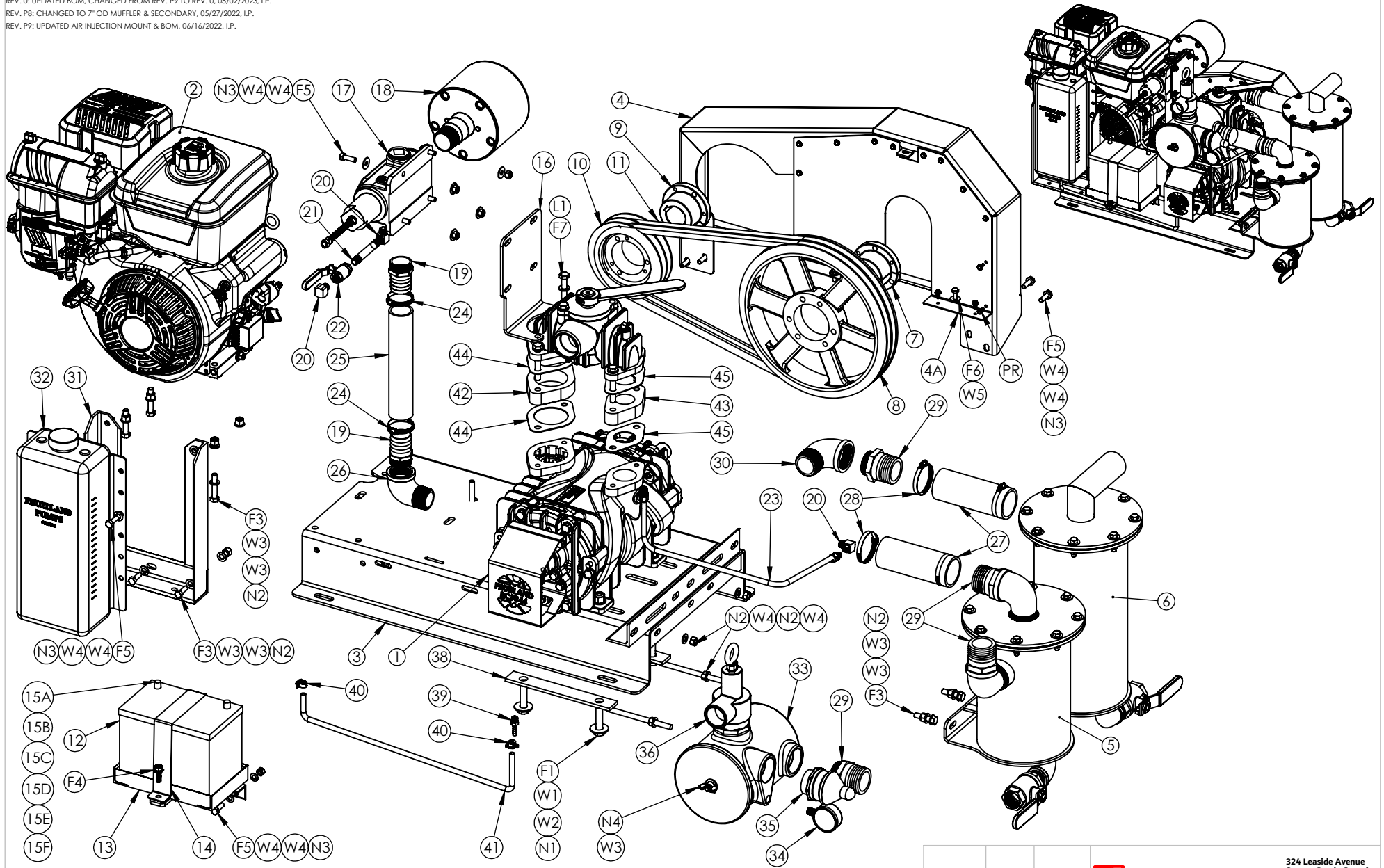



REV. 0: UPDATED BOM, CHANGED FROM REV. P9 TO REV. 0, 05/02/2023, I.P.  
 REV. P8: CHANGED TO 7" OD MUFFLER & SECONDARY, 05/27/2022, I.P.  
 REV. P9: UPDATED AIR INJECTION MOUNT & BOM, 06/16/2022, I.P.



**ELIM G344 COMPLETE ASSEMBLY**  
 WITH 344R PUMP WITH AIR INJECTION & FILTER,  
 GAS ENGINE, SECONDARY SHUTOFF & MUFFLER

**PART # G-SMF344L**

**PROPRIETARY AND CONFIDENTIAL**  
 THE INFORMATION CONTAINED IN THIS  
 DRAWING IS THE SOLE PROPERTY OF  
**FRUITLAND MANUFACTURING**. ANY  
 REPRODUCTION IN PART OR AS A  
 WHOLE WITHOUT THE WRITTEN  
 PERMISSION OF FRUITLAND MFG. IS  
 PROHIBITED.

	NAME	DATE	 324 Leaside Avenue Stoney Creek, Ontario, CANADA L8E 2N7 Phone: (905) 662-6552 Fax: (905) 662-9875
CREATED	I.P.	11/23/2021	
CHECKED			TITLE: ELIM G344L COMPLETE ASSEMBLY - EXP. VIEW
			DWG. NO. ELIM G-SMF344L
			REV 0
MATERIAL	--	SCALE: 1:10	WEIGHT:-- SHEET 1 OF 3

ITEM #	PART #	DESCRIPTION	QTY.
1	344R	344 VACUUM PUMP (C/W ROTATION)	1
2	EGX-25V337-0009-F1	BRIGGS & STRATTON VANGUARD 14HP GAS ENGINE	1
3	ELIM-G344-01	BASE FRAME ASSEMBLY FOR ELIM G344 & 172	1
4	ELIM-G250-02	BELT GUARD FOR ELIM G172, 250, & 344	1
4A	ELIM G344-024	BELT GUARD WIRE MESH FOR G344	1
5	SSA-207-140-CS	S21 SECONDARY ASSEMBLY	1
6	MUA-207-180-CS	M21 MUFFLER ASSEMBLY	1
7	SF42	SF BUSHING, 42mm, 1/4" KEY	1
8	2B12.4L	12.4" SF SHEAVE - 2 GROOVE, B. SECTION	1
9	SH1	SH BUSHING FOR Ø1" SHAFT, 1/4" KEY	1
10	2B44SH	4.4" SHEAVE 2 GROOVE B SECT.	1
11	ELIM-G250-03	BX57 V-BELT	2
12	ELIM-G250-04	BATTERY	1
13	ELIM-G250-06	BATTERY FRAME	1
14	ELIM-G250-041	BATTERY HOLD DOWN CLAMP	1
15A	ELIM-G250-042	8 GA BATTERY WIRE - BLACK - 16" LONG	1
15B	ELIM-G250-043	8 GA BATTERY WIRE - RED - 14" LONG	1
15C	ELIM-G250-044	8 GA COPPER EYELET	2
15D	ELIM-G250-045	BATTERY TERMINAL BOOT BLACK	1
15E	ELIM-G250-046	BATTERY TERMINAL BOOT RED	1
15F	ELIM-G250-047	STARTER SOLENOID TERMINAL BOOT RED	1
16	EGX-030-006	AIR INJECTION MOUNTING BRACKET	1
17	RF870-AI	AIR INJECTION VALVE ASSEMBLY	1
18	AI-870-F	AIR INJECTION FILTER FOR 344 PUMP WITH 1-1/4" NPT NIPPLE	1
19	1.25"NPT-1.5BRB	PIPE ADAPTOR - 1/4" NPT x 1-1/2" HOSE BARB	2
20	RF250-32A	90° STREET ELBOW (MxF) - 1/4" NPT - BRASS	3
21	A270-3	PIPE NIPPLE - 1/4" NPT x 3-1/2" LONG	1
22	FK500-A-01	BALL VALVE - 1/4" NPT	1
23	AI-870-83	S.S. BRAIDED HOSE, 1/4" NPT	1
24	HCM-51-001	MIKALOR HOSE CLAMP - 48-51mm - STEEL BOLT	2
25	1.5"HOSE EXFL	GOODYEAR EXTREMEFELX HOSE - Ø1-1/2 x 9-3/4" LONG	1
26	RF870-71A	90° ELBOW, 1-1/4" NPT MxF (STREET ELBOW)	1
27	2" HOSE	RUBBER HOSE - Ø2" x 6-1/2" LONG	2
28	2C-MIK60-63	CLAMPS FOR RUBBER HOSE (M10 64-67mm)	4
29	RF344-15NPT-2BARB	PIPE ADAPTOR - 1-1/2" NPT x 2" HOSE BARB	3
30	CVSP-3100-1.5"FM90	90° STREET ELBOW (MxF) - 1-1/2" NPT	1
31	ELIM DG-172-04	OIL RESERVOIR MOUNT	1
32	OR11-A-01	6 QT. PLASTIC TANK W/ BREATHER CAP & STRAIGHT 1/4" BARB FITTING AT BASE	1
33	FA21	FA21 FILTER ASSEMBLY	1

REV. 0: UPDATED BOM, CHANGED FROM REV. P9 TO REV. 0, 05/02/2023, I.P.  
 REV. P8: CHANGED TO 7" OD MUFFLER & SECONDARY, 05/27/2022, I.P.  
 REV. P9: UPDATED AIR INJECTION MOUNT & BOM, 06/16/2022, I.P.

5


4

3

ITEM #	PART #	DESCRIPTION	QTY.
34	PVG-2.5	PRESSURE-VACUUM GAUGE - 1/4" NPT	1
35	VB	VACUUM RELIEF VALVE - 1-1/4" NPT	1
36	PRV-2"	PRESSURE RELIEF VALVE - 2" NPT	1
37	M09-A-07	BALL VALVE - 1" NPT	2
38	ELIM G344-05	PUMP MOUNTING BAR	2
39	125-4B	PIPE ADAPTOR - 1/4" NPT - 1/4" HOSE BARB - BRASS	1
40	OR11-A-03	HOSE CLAMP - 7/32" - 5/8" (SAE 4)	2
41	OR11-A-02	FUEL LINE RUBBER HOSE - Ø1/4" ID x 20" LONG	1
42	250-DSF-EX	250 DIVERTER SPACER FLANGES (1" THK.) EXHAUST	1
43	250-DSF-IN	250 DIVERTER SPACER FLANGES (1" THK.) INTAKE	1
44	RF250-251	GASKET - DIVERTER EXHAUST FLANGE	2
45	RF250-238	GASKET - DIVERTER INTAKE FLANGE	2
F1	1/2 X 2 HHCS	HEX BOLT - 1/2"-13 NC x 2" LONG - Z.P.	4
F2	3/8" x 2" HEX	HEX BOLT - 3/8"-16 NC x 2" LONG - Z.P.	4
F3	3/8-16 X 1-1/2" LG HHCS	HEX BOLT - 3/8"-16 NC x 1-1/2" LONG - Z.P.	6
F4	HBI-31F-101	SERRATED FLANGE BOLT - 5/16"-18 NC x 1" LONG	1
F5	5/16X1-BOLT	HEX BOLT - 5/16"-18 NC x 1" LONG - Z.P.	12
F6	1/4 X 3/4 HHCS	HEX BOLT - 1/4"-20 NC x 3/4" LONG - Z.P.	2
F7	HBM-100-700	S.H.C.S. - M10 x 1.5 x 70mm LONG	4
N1	1/2"NYLOCK NUTS	NYLOCK HEX NUT - 1/2"-13 NC - Z.P.	4
N2	3/8"NYLOCK NUTS	NYLOCK HEX NUT - 3/8"-16 NC - Z.P.	10
N3	5/16"NYLOCK NUTS	NYLOCK HEX NUT - 5/16"-18 NC - Z.P.	12
N4	HNI-038-005-00ZP	WING NUT - 3/8"-16 NC - Z.P.	1
N5	3/8" NUTS	HEX NUT - 3/8"-16 NC - Z.P.	4
L1	RF120-94A	LOCK WASHER - M10 - Z.P.	4
PR	HVI-188-255	ALUMINUM BLIND RIVET WITH BSTEEL MANDREL., LARGE DIA. DOMED HEAD, Ø3/16", FOR .126" -.25" MATERIAL THK.	10
W1	1/2"F/W-USS	FLAT WASHER, USS (LARGE) - 1/2" - Z.P.	4
W2	1/2"F/W-SAE	FLAT WASHER, SAE (SMALL) - 1/2" - Z.P.	4
W3	HWI-380-201	FLAT WASHER, SAE (SMALL) - 3/8" - Z.P.	21
W4	HWI-310-201	FLAT WASHER, SAE (SMALL) - 5/16" - Z.P.	20
W5	HWI-250-401	FLAT WASHER, USS (LARGE) - 1/4" - Z.P.	2

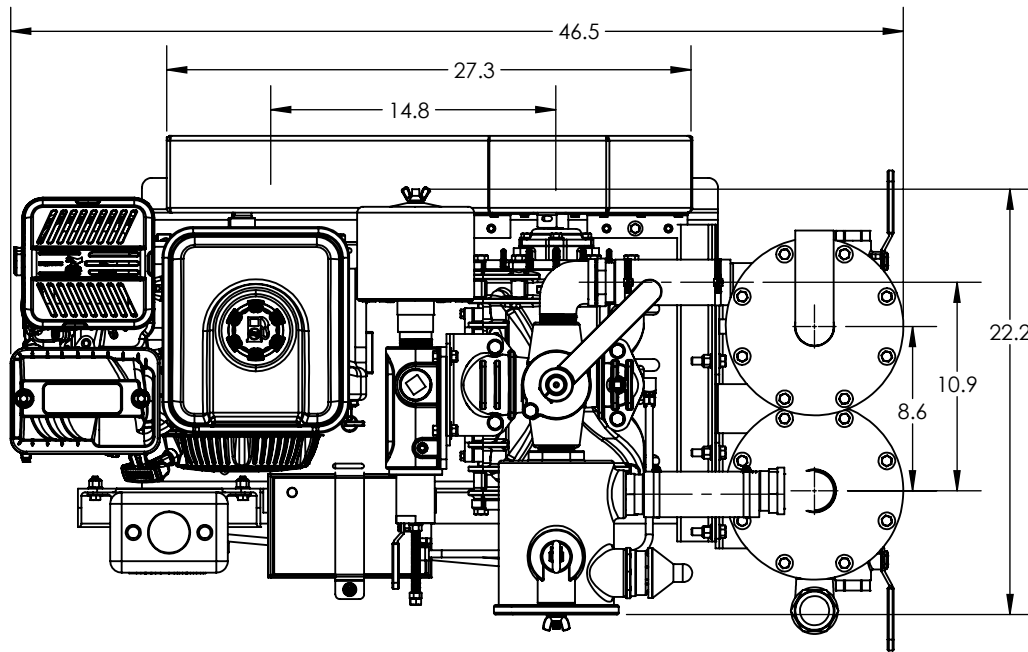
**ELIM G344 COMPLETE ASSEMBLY  
PART # G-SMF344L**

**PROPRIETARY AND CONFIDENTIAL**  
 THE INFORMATION CONTAINED IN THIS DRAWING IS THE SOLE PROPERTY OF **FRUITLAND MANUFACTURING**. ANY REPRODUCTION IN PART OR AS A WHOLE WITHOUT THE WRITTEN PERMISSION OF FRUITLAND MFG. IS PROHIBITED.

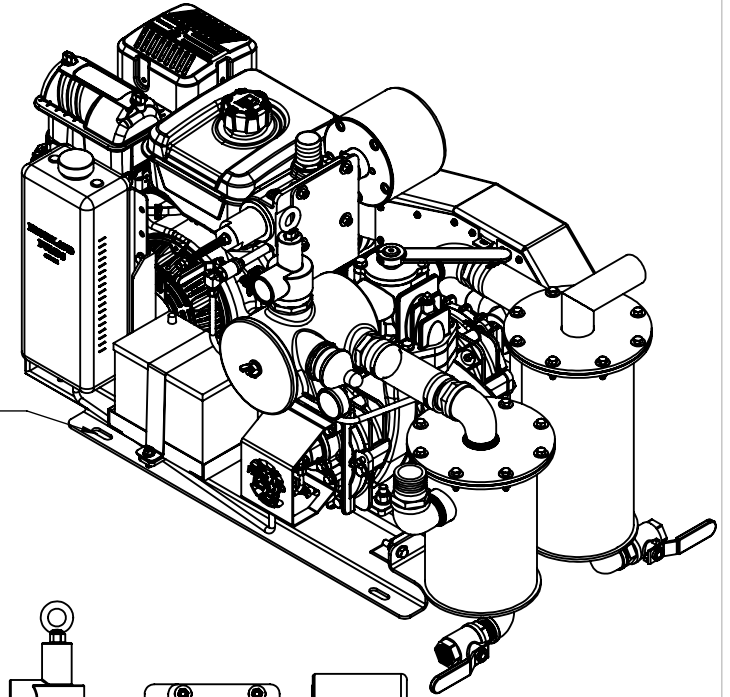
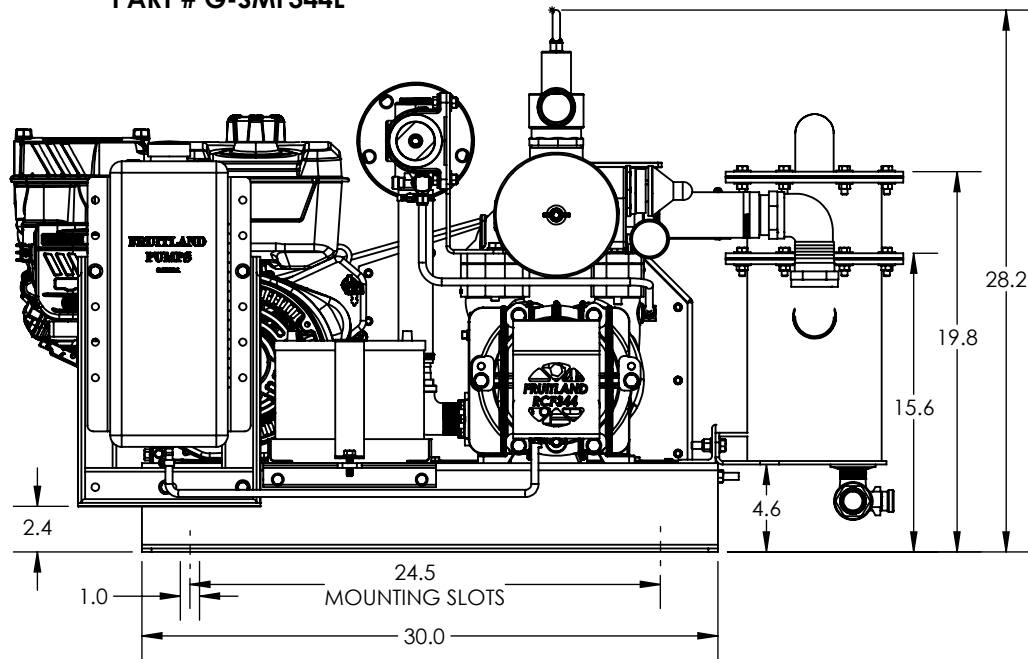
	NAME	DATE		324 Leaside Avenue Stoney Creek, Ontario, CANADA L8E 2N7 Phone: (905) 662-6552 Fax: (905) 662 9875	
CREATED	K.A.	11/23/2021			
CHECKED			TITLE:		
UNLESS OTHERWISE SPECIFIED: DIMENSIONS ARE IN INCHES TOLERANCES: FRACTIONAL OR .X = ±.015 .XX = ±.010 .XXX = ±.005			ELIM G344 COMPLETE ASSEMBLY - BOM		REV
MATERIAL			--	DWG. NO.	0
			SCALE: 1:1	WEIGHT:--	SHEET 2 OF 3
				ELIM G-SMF344L	

2

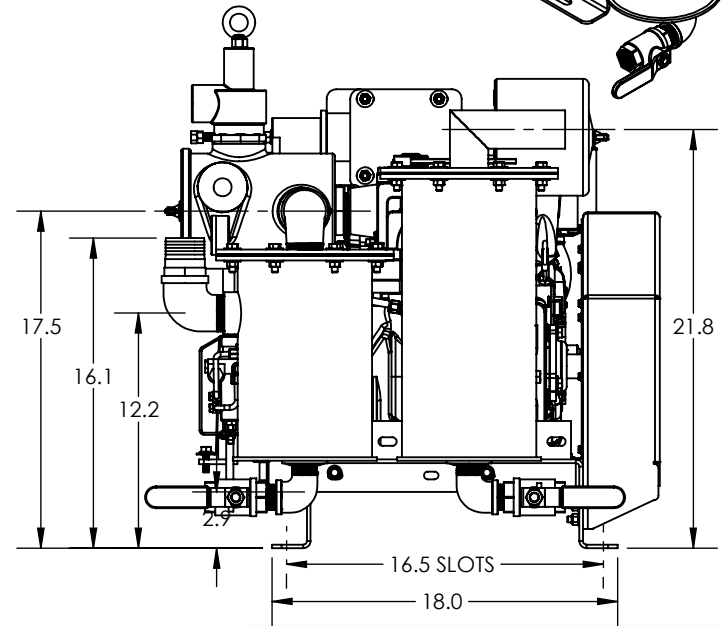
1



**ELIM G344 COMPLETE ASSEMBLY  
PART # G-SMF344L**




SLOT FOR Ø1/2"  
BOLT CLEARANCE



REV. 0: UPDATED BOM, CHANGED FROM REV. P9 TO REV. 0, 05/02/2023, I.P.  
REV. P8: CHANGED TO 7" OD MUFFLER & SECONDARY, 05/27/2022, I.P.  
REV. P9: UPDATED AIR INJECTION MOUNT & BOM, 06/16/2022, I.P.

**PROPRIETARY AND CONFIDENTIAL**  
THE INFORMATION CONTAINED IN THIS DRAWING IS THE SOLE PROPERTY OF **FRUITLAND MANUFACTURING**. ANY REPRODUCTION IN PART OR AS A WHOLE WITHOUT THE WRITTEN PERMISSION OF FRUITLAND MFG. IS PROHIBITED.

	NAME	DATE	 324 Leaside Avenue Stoney Creek, Ontario, CANADA L8E 2N7 Phone: (905) 662-6552 Fax: (905) 662-9875
CREATED	I.P.	11/23/2021	
CHECKED			TITLE:
			ELIM G344 COMPLETE ASSEMBLY - DIMS
			DWG. NO.
			ELIM G-SMF344L
			REV
			0
MATERIAL	--	SCALE: 1:10	WEIGHT:--
			SHEET 3 OF 3