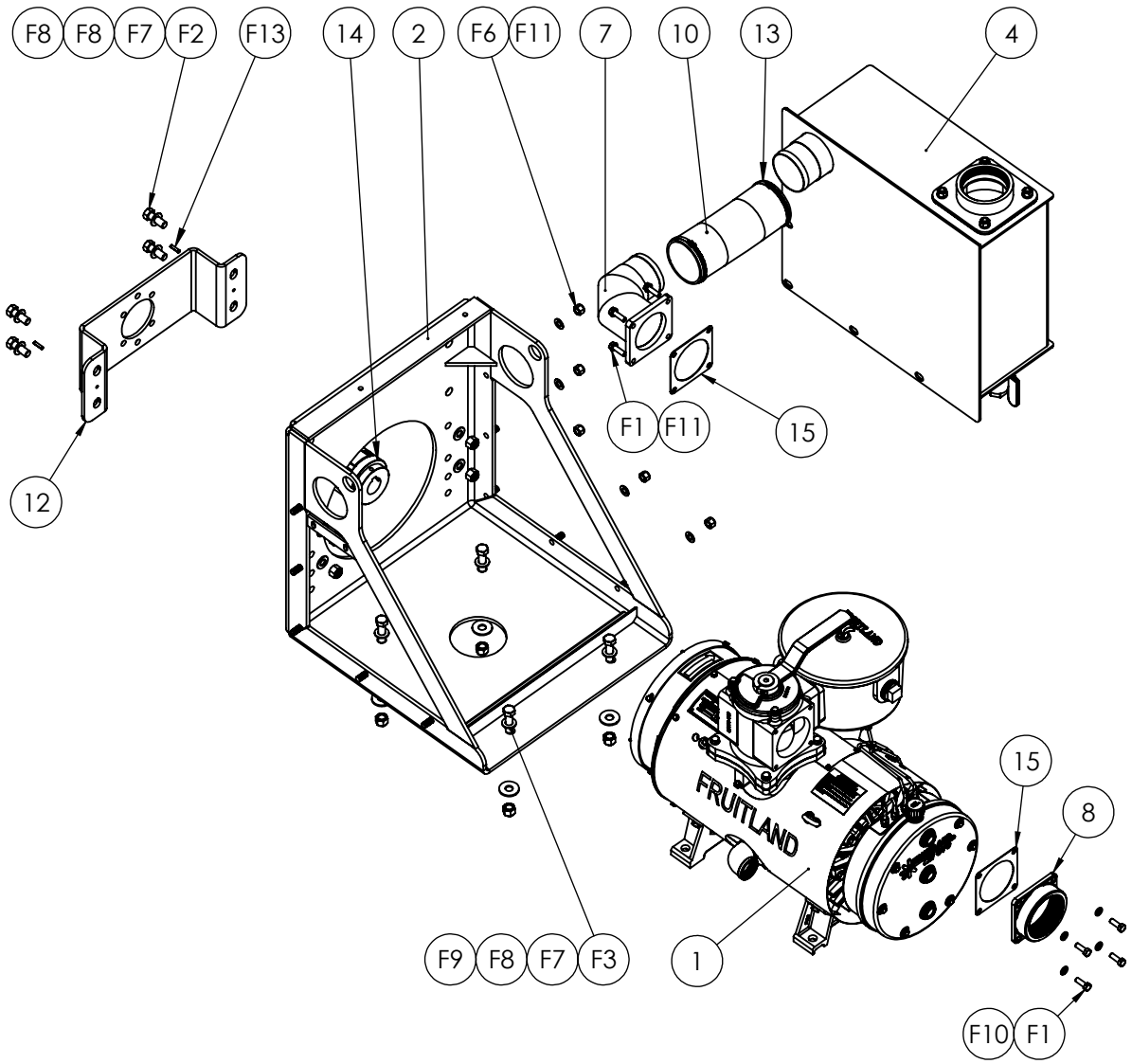


7	PART #	DESCRIPTION	QTY.
1	870LUF	870LUF Vacuum Pump	1
2	RF870-SC	Pedestal Frame	1
4	RF870-M14	M14 Muffler	1
7	FL14	4" NPT Elbow Diverter Flange for Elim 870	1
8	RF870-4NPT	4" NPT Diverter Flange	1
10	ESX-080-412	Rubber Hose - Ø4" x 12" Long - SLR-64	12"
12	HDM14	Hydraulic Motor Mount	1
13	MKL-121-SP	Hose Clamp Ø4" Tank Hose (Mikalor M8 113-121)	2
14		Customer To Specify Coupling Size	1
15	RF870-65	Gasket - Diverter Flange for 870 Pumps	2
Hex Bolts			
F1	RF500-67A	Hex Bolt - M10x1.5x30mm Long - Z.P.	8
F2	HBI-600-170	Hex Bolt - 5/8"-11 NC x 1-3/4" Long - Z.P.	4
F3	5/8"X2-1/4" HEX HEAD	Hex Bolt - 5/8"-11 NC x 2-1/4" Long - Z.P.	4
Hex Nuts			
F6	HNI-500-201	Nylock Hex Nuts - 1/2"-13 NC - Z.P.	5
F7	5/8" NUT	Nylock Hex Nuts - 5/8"-11 NC - Z.P.	8
Washers			
F8	5/8" F/W-SAE	Flat Washer, SAE (Small) - 5/8" - Z.P.	12
F9	5/8" F/W-USS	Flat Washer, USS (Large) - 5/8" - Z.P.	4
F10	RF120-94A	Lock Washer - 10mm - Z.P.	8
F12	1/2" F/W-SAE	Flat Washer, SAE (Small) - 1/2" - Z.P.	8
Spring Pins			
F13	1/4" X 1" LG SPLIT PIN	Split Pin - 1/4" x 1" Long	2



ELIMINATOR H PACKAGE WITH 870LUF PUMP & MUFFLER

PART#: ELIM H-M870LUF

NOTES:

1. DRIVE COUPLINGS TO BE CUSTOMER SPECIFIED
2. ALL FASTENERS TO BE SUPPLIED
3. WEIGHT AS SHOWN: 841 LBS

CUSTOMER COPY

	NAME	DATE	 FRUITLAND 324 Leaside Avenue Stoney Creek, Ontario, CANADA L8E 2N7 Phone: (905) 662-6552 Fax: (905) 662-9875
CREATED	Z.D.	03/26/2015	
CHECKED	K.A.	03/26/2015	TITLE:
			ELIM H-M870LUF BOM
UNLESS OTHERWISE SPECIFIED: DIMENSIONS ARE IN INCHES TOLERANCES: FRACTIONAL OR .X = ±.015 .XX = ±.010 .XXX = ±.005			DWG. NO.
			ELIM H-M870LUF
MATERIAL			SCALE: 1:12
			WEIGHT:--
			REV
			1

PROPRIETARY AND CONFIDENTIAL
 THE INFORMATION CONTAINED IN THIS DRAWING IS THE SOLE PROPERTY OF **FRUITLAND MANUFACTURING**. ANY REPRODUCTION IN PART OR AS A WHOLE WITHOUT THE WRITTEN PERMISSION OF FRUITLAND MFG. IS PROHIBITED.