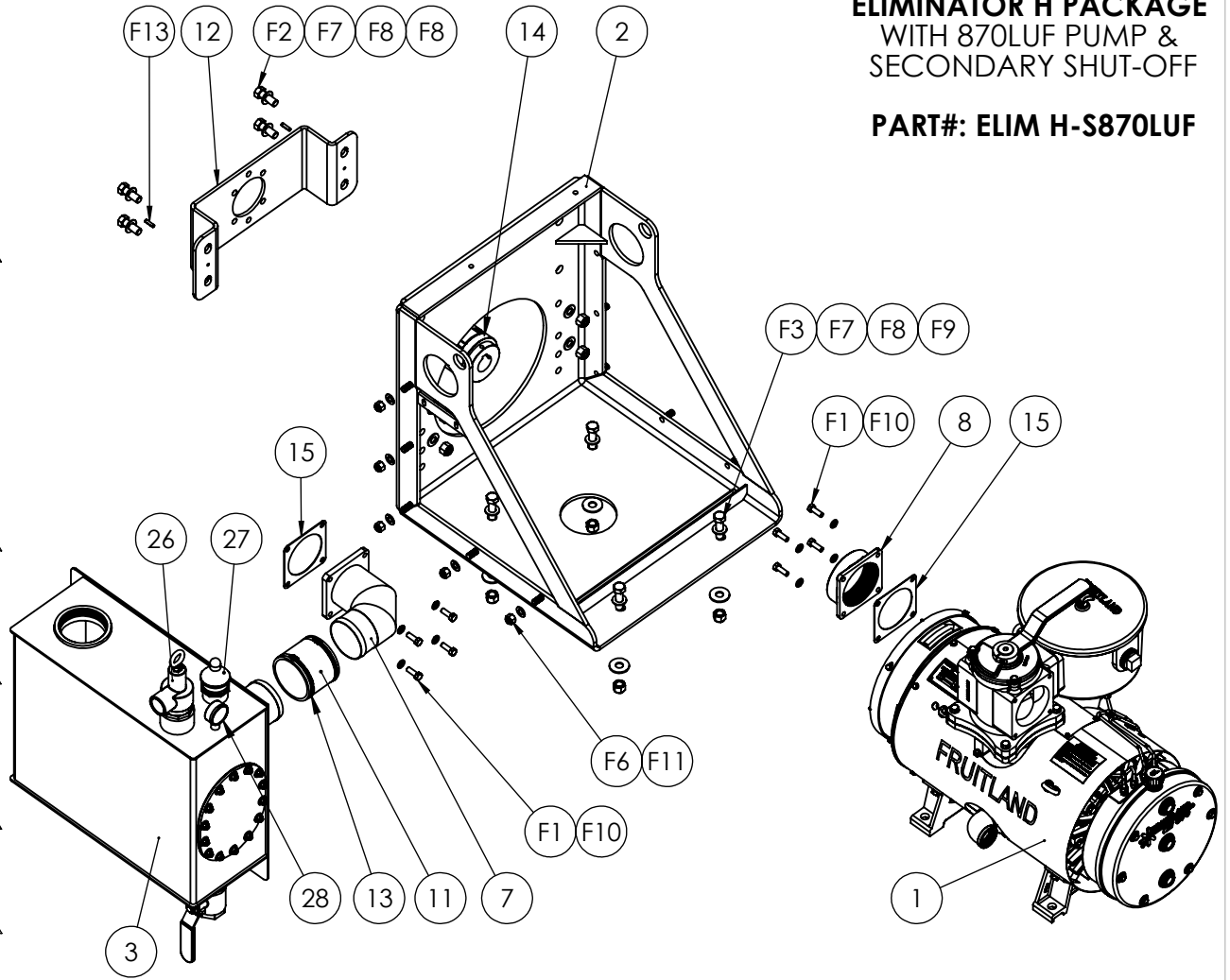



ITEM #	PART #	DESCRIPTION	QTY.
1	870LUF	870LUF Vacuum Pump	1
2	RF870-SC	Pedestal Frame	1
3	RF870-S14	S14 Secondary Shut-Off	1
7	FL14	4" NPT Elbow Diverter Flange for Elim 870	1
8	RF870-4NPT	4" NPT Diverter Flange	1
11	ESX-080-404	Rubber Hose - Ø4" x 4-3/8" Long - SLR-64	4-3/8" [△]
12	HDM14	Hydraulic Motor Mount	1
13	MKL-121-SP	Hose Clamp Ø4" Tank Hose (Mikalor M8 113-121)	2
14		Customer To Specify Coupling Size	1
15	RF870-65	Diverter Gasket for RCF 870	2
26	PRV-2"	Pressure Relief Valve 2" NPT	1
27	VB	Vacuum Relief Valve 1-1/2" NPT	1
28	PVG-2.5	Compound Pressure-Vacuum Gauge - 30 PSI - 30 VAC - 1/4" NPT	1 [△]
Hex Bolts			
F1	RF500-67A	Hex Bolt - M10x1.5x30mm Long - Z.P.	8
F2	HBI-600-170	Hex Bolt - 5/8"-11 NC x 1-3/4" Long - Z.P.	4 [△]
F3	5/8"X2-1/4" HEX HEAD	Hex Bolt - 5/8"-11 NC x 2-1/4" Long - Z.P.	4
Hex Nuts			
F6	HNI-500-201	Nylock Hex Nuts - 1/2"-13 NC - Z.P.	5 [△]
F7	5/8" NUT	Nylock Hex Nuts - 5/8"-11 NC - Z.P.	8 [△]
Washers			
F8	5/8" F/W-SAE	Flat Washer, SAE (Small) - 5/8" - Z.P.	12 [△]
F9	5/8" F/W-USS	Flat Washer, USS (Large) - 5/8" - Z.P.	4
F10	RF120-94A	Lock Washer - 10mm - Z.P.	8
F12	1/2" F/W-SAE	Flat Washer, SAE (Small) - 1/2" - Z.P.	8 [△]
Spring Pins			
F13	1/4" X 1" LG SPLIT PIN	Split Pin - 1/4" x 1" Long	2



**ELIMINATOR H PACKAGE
WITH 870LUF PUMP &
SECONDARY SHUT-OFF**

PART#: ELIM H-S870LUF

CUSTOMER COPY

NAME	DATE		324 Leaside Avenue Stoney Creek, Ontario, CANADA L8E 2N7 Phone: (905) 662-6552 Fax: (905) 662-9875	
CREATED	Z.D. 03/26/2015		TITLE:	ELIM H-S870LUF BOM
CHECKED	K.A. 03/26/2015	DWG. NO.	ELIM H-S870LUF	REV
UNLESS OTHERWISE SPECIFIED: DIMENSIONS ARE IN INCHES TOLERANCES: FRACTIONAL OR .X = ±.015 .XX = ±.010 .XXX = ±.005		SCALE: 1:12	WEIGHT:--	1
MATERIAL	--			

PROPRIETARY AND CONFIDENTIAL
THE INFORMATION CONTAINED IN THIS DRAWING IS THE SOLE PROPERTY OF FRUITLAND MANUFACTURING. ANY REPRODUCTION IN PART OR AS A WHOLE WITHOUT THE WRITTEN PERMISSION OF FRUITLAND MFG. IS PROHIBITED.

NOTES:

1. DRIVE COUPLINGS TO BE CUSTOMER SPECIFIED.
2. ALL FASTENERS TO BE SUPPLIED.
3. WEIGHT AS SHOWN: 844 LBS