


ITEM #	PART #	DESCRIPTION	QTY.
1	172LU	RCF172 VACCUM PUMP	1
2	PF18-PT-R	344-PT PEDASTAL FRAME-RIGHT	1
3	F100-H	F100 COMPLETE COUPLING WITH BUNA INSERT BORES: 1.25 X 0.875 PUMP AND HYD MOTOR	1
4	RF344-HMA	344-PT HYDRAULIC MOTOR ADAPTOR	1
5	P250-HM	HYDRAULIC MOTOR	1
6	MUA-207-180-CS	M21 MUFFLER ASSEMBLY - RH	1
7	SSA-207-140-CS	S21 SECONDARY SHUT-OFF ASSEMBLY - RH	1
8	ELIM A344-PT-SB-T	PUMP SPACER TUBE	2
9	CVSP-3100-1.5"FM90	STREET ELBOW (MxF) - 1-1/2" NPT - STEEL	1
10	RF344-15NPT-2BARB	HOSE BARB ADAPTOR - 1-1/2" NPT x 2" HOSE	2
11A	2" HOSE	Ø2" RUBBER HOSE, 5" LG.	1
11B	2" HOSE	Ø2" RUBBER HOSE, 6" LG.	1
12	2" HOSECLAMP	CLAMPS FOR RUBBER HOSE (M10 64-67mm)	4

HARDWARE LIST

F1	1/2" X 1"	HEX BOLT - 1/2"-13 x 1" LONG - Z.P.	4
F2	1/2" X 3.5"	HEX BOLT - 1/2"-13 x 3-1/2" LONG - Z.P.	4
F3	RF500-48A	HEX BOLT - M8 x 25mm - PLAIN	4
W1	1/2" FLAT WASHER	FLAT WASHER - 1/2" - Z.P.	8
W2		FLAT WASHER - 3/8" - Z.P.	16
L1	1/2" L/W	LOCK WASHER - SPLIT - 1/2" - Z.P.	8
L2	RF120-96A	LOCK WASHER - SPLIT - M8	4
N1		NYLOCK NUT - 1/2"-13	4
N2		HEX NUT - 3/8"-16 - Z.P.	4

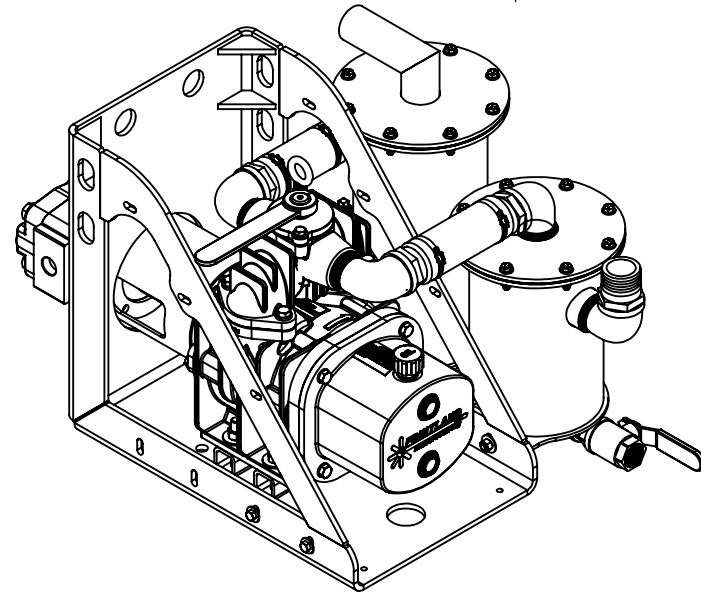
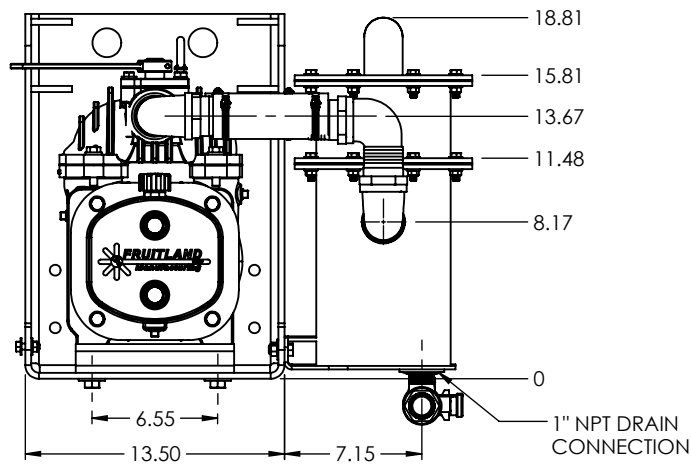
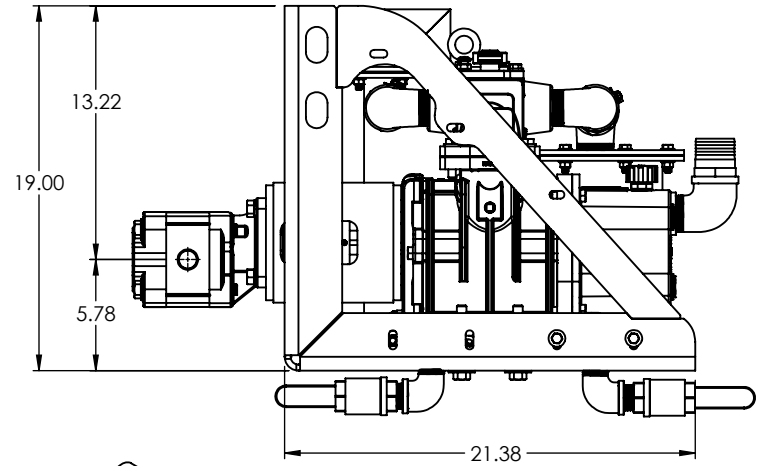
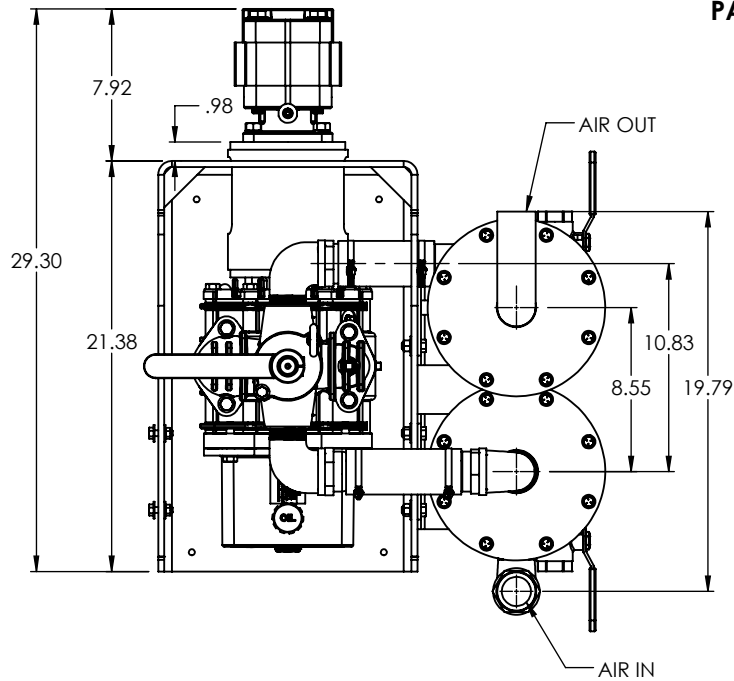
**ELIM H-SM172L COMPLETE ASSEMBLY
WITH HYDRAULIC DRIVE**
PART # ELIM H-SM172LR

PROPRIETARY AND CONFIDENTIAL
THE INFORMATION CONTAINED IN THIS DRAWING IS THE SOLE PROPERTY OF FRUITLAND MANUFACTURING. ANY REPRODUCTION IN PART OR AS A WHOLE WITHOUT THE WRITTEN PERMISSION OF FRUITLAND MFG. IS PROHIBITED.


	NAME	DATE	 324 Leaside Avenue Stoney Creek, Ontario, CANADA L8E 2N7 Phone: (905) 662-6552 Fax: (905) 662 9875
CREATED	I.P.	05/31/2022	
CHECKED			TITLE: ELIM H-SM172LR with HYD. MOTOR - EXP. VIEW & BOM
UNLESS OTHERWISE SPECIFIED: DIMENSIONS ARE IN INCHES TOLERANCES: FRACTIONAL OR .X = ±.015 .XX = ±.010 .XXX = ±.005			DWG. NO. ELIM H-SM172LR
MATERIAL	--	SCALE: 1:11	WEIGHT:-- SHEET 1 OF 2
			REV PO

**ELIM H-SM172L COMPLETE ASSEMBLY
WITH HYDRAULIC DRIVE**

PART # ELIM H-SM172LR



PROPRIETARY AND CONFIDENTIAL
THE INFORMATION CONTAINED IN THIS DRAWING IS THE SOLE PROPERTY OF FRUITLAND MANUFACTURING. ANY REPRODUCTION IN PART OR AS A WHOLE WITHOUT THE WRITTEN PERMISSION OF FRUITLAND MFG. IS PROHIBITED.

	NAME	DATE	 324 Leaside Avenue Stoney Creek, Ontario, CANADA L8E 2N7 Phone: (905) 662-6552 Fax: (905) 662-9875		
CREATED	I.P.	05/31/2022			
CHECKED			TITLE:		
			ELIM H-SM172LR with HYD. MOTOR - DIMS		
			DWG. NO.	REV	
			ELIM H-SM172LR	PO	
MATERIAL	--		SCALE: 1:1	WEIGHT:--	SHEET 2 OF 2