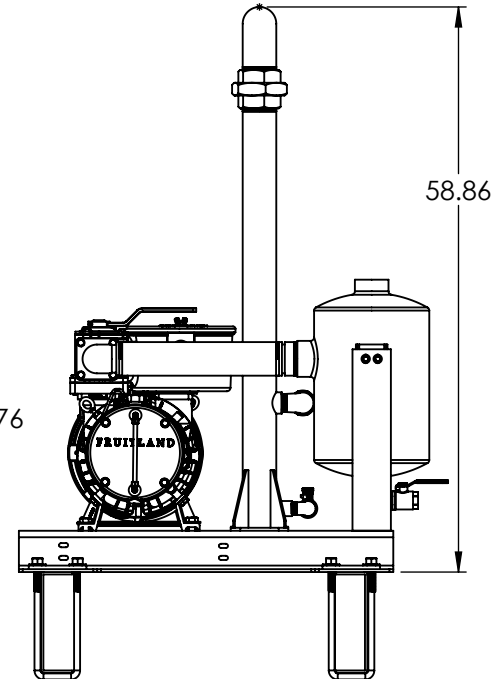
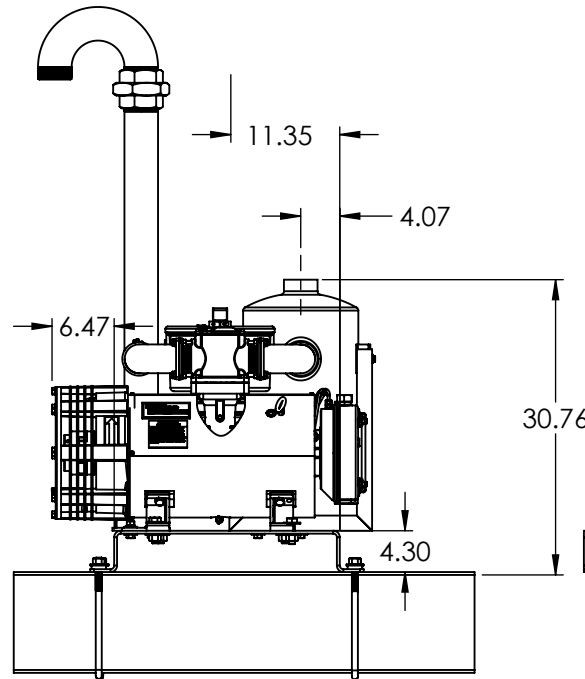
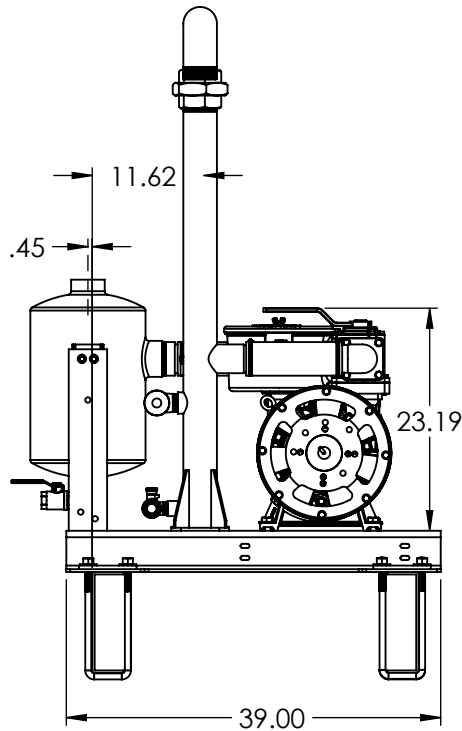
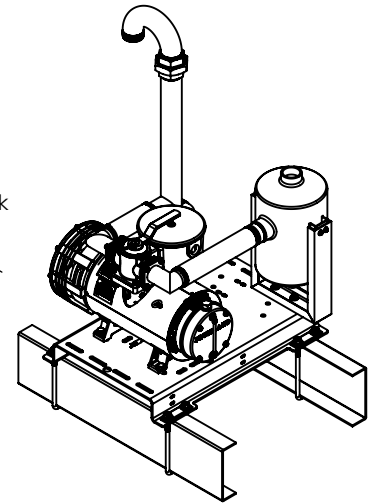



Front of Truck



**PART # ELIM THRM500LUF-JT**  
(REGULAR TRUCK INSTALLATION KIT)

**PART # ELIM THMM500LUF-JT**  
(MACK TRUCK INSTALLATION KIT)

**PROPRIETARY AND CONFIDENTIAL**  
THE INFORMATION CONTAINED IN THIS DRAWING IS THE SOLE PROPERTY OF FRUITLAND MANUFACTURING. ANY REPRODUCTION IN PART OR AS A WHOLE WITHOUT THE WRITTEN PERMISSION OF FRUITLAND MFG. IS PROHIBITED.

	NAME	DATE	 324 Leaside Avenue Stoney Creek, Ontario, CANADA L8E 2N7 Phone: (905) 662-6552 Fax: (905) 662 9875
CREATED	Z.D.	02/09/2022	
CHECKED	K.A.	02/09/2022	TITLE: ELIM Top Hydraulic J-Tube Dims
UNLESS OTHERWISE SPECIFIED: DIMENSIONS ARE IN INCHES TOLERANCES: FRACTIONAL OR .X = ±.015 .XX = ±.010 .XXX = ±.005			DWG. NO. ELIM THRM500LUF-JT-DIMS
MATERIAL	--	SCALE: 1:20	REV P2
		WEIGHT:	

REV. P1, NOTE: "FRONT OF TRUCK" CHANGED ORIENTATION, 02/14/2022, Z.D.  
REV. P2, REVISED J TUBE PART # ETS-050-001-J ADDED, 1/9/2023 K.A.

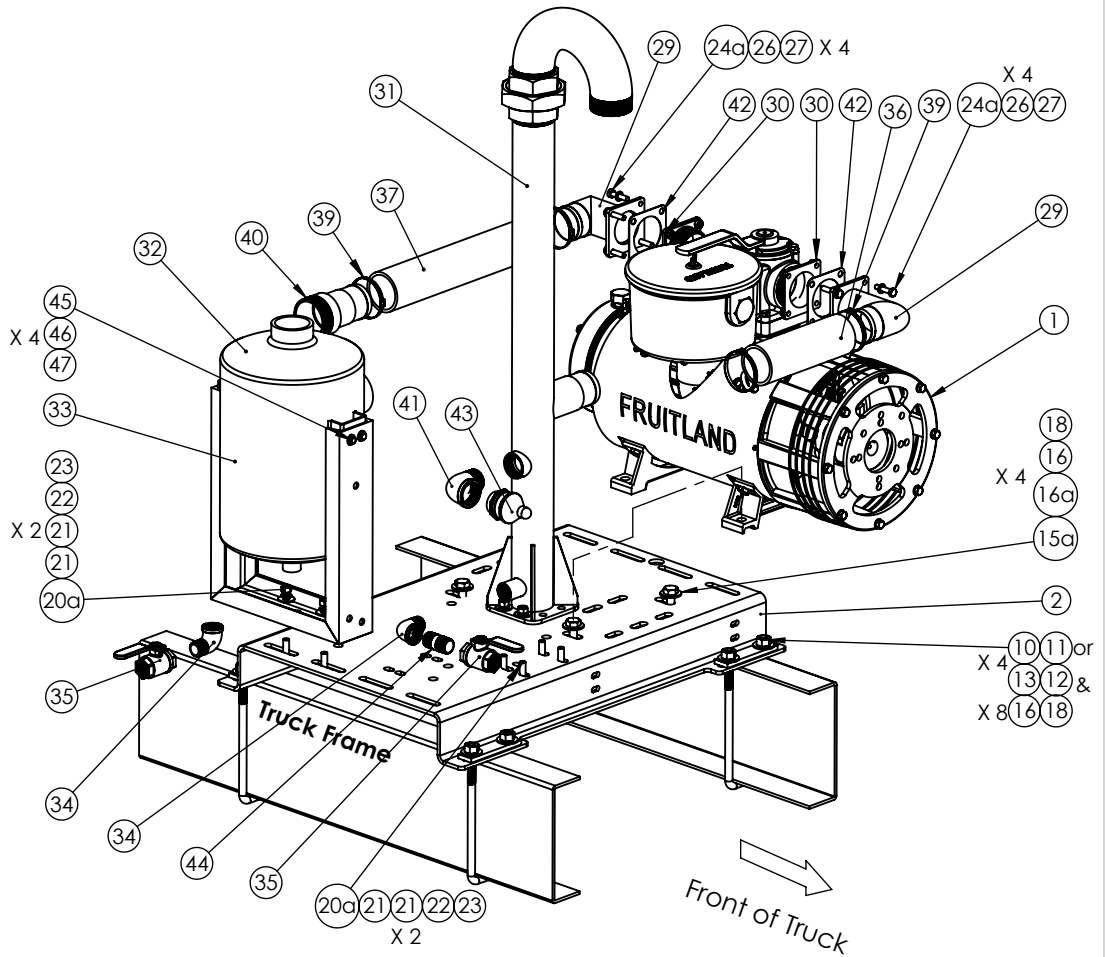
Assembly Parts				
ITEM#	PART#	Drawing#	DESCRIPTION	QTY.
1	500LUFH		Vacuum Pump (SOLD SEPERATELY)	1
2	TFM-11-01	TFM-11-01	Top Frame Mount Base	1
15a	5/8"x2-1/4" HEX HEAD		5/8" NC 2.25" Long Zinc Plated Hex Head Bolts	4
16	5/8" F/W-USS		5/8" Zinc Plated Flat Washer, Large	4
16a	5/8" F/W-SAE		5/8" Zinc Plated Flat Washer, Small	4
18	5/8" Nylock Nuts		5/8" Nylock NC Hex Nut	4
20a	1/2"x 1-1/2"		1/2" NC 1.5" Long Zinc Plated Hex Head Bolts	4
21	1/2" Flat Washer		1/2" Zinc Plated Flat Washer	8
22	1/2" L/W		1/2" Lockwasher	4
23	1/2" Nut		1/2" Zinc Plated NC Hex Nuts	4
24a	RF500-67A		10mm Hex Head Bolt M10 X 30mm	8
26	RF500-137A		10mm Hex Nut	8
27	RF120-94A		10mm Lock Washer	8
29	FAM09	FAM09	500 Muffler Flange	2
30	FA-3NPT-M		3" Threaded Flange	2
31	ETS-050-001-J	ETS-050-001-J	J Tube Assembly	1
32	M02	M02	M02 Muffler	1
33	TFMJ-15-02	TFMJ-15-02	M02 Muffler Bracket	1
34	CVSP-3100-1"FM90		1" Street Elbow Male Female 90 Deg.	2
35	M09-A-07		1" Ball Valve	2
36	JTHOSE1		J Tube Hose L=11.25"	1
37	JTHOSE2		J Tube Hose L=17.25"	1
39	HARSH10		#10 HOSE CLAMP	4
40	TFMJ-15-03		3" Hose Barb to NPT Nipple	1
41			1.5" Street Elbow Male Female 90 Deg.	1
42	RF500-57		Pump Flange Gasket	2
43	VB		Vacuum Relief Valve 1-1/2" NPT	1
44			1" NPT Niple, 2-1/2" LG.	1
45	5/16X1-BOLT		5/16" NC 1" Long Zinc Plated Hex Head Bolts	4
46	5/16" F/W		5/16" Zinc Plated Flat Washer	4
47	5/16" Nylock Nuts		5/16" Nylock NC Hex Nut	4

Part # TFM-11R, Regular Installation Kit				
10	TFM-11-A3		3-1/2" U Bolt, Ø5/8-11 NC	4
11	TFM-11-09		Tie Bar Plates for 3-1/2" U Bolts	4
16	5/8" F/W-USS		5/8" Zinc Plated Flat Washer, Large	8
18	5/8" Nut		5/8" Zinc Plated NC Hex Nuts	8

Part # TFM-11M, Mack Truck Installation Kit				
12	TFM-11-A4		4-3/16" U Bolt Ø5/8-11 NC for Mack Only	4
13	TFM-11-A5		Tie Bar Plates for 4-3/16" U Bolts Mack Only	4
16	5/8" F/W-USS		5/8" Zinc Plated Flat Washer, Large	8
18	5/8" Nut		5/8" Zinc Plated NC Hex Nuts	8

## ELIMINATOR PACKAGE

Top Frame Mount Hydraulic Drive System with J-Tube  
(Sold with Regular or Mack truck installation kit)



### PART # ELIM THRM500LUF-JT

(REGULAR TRUCK INSTALLATION KIT)

### PART # ELIM THMM500LUF-JT

(MACK TRUCK INSTALLATION KIT)

#### PROPRIETARY AND CONFIDENTIAL

THE INFORMATION CONTAINED IN THIS DRAWING IS THE SOLE PROPERTY OF FRUITLAND MANUFACTURING. ANY REPRODUCTION IN PART OR AS A WHOLE WITHOUT THE WRITTEN PERMISSION OF FRUITLAND MFG. IS PROHIBITED.

	NAME	DATE		324 Leaside Avenue Stoney Creek, Ontario, CANADA L8E 2N7 Phone: (905) 662-6552 Fax: (905) 662-9875	
CREATED	Z.D.	02/09/2022		<b>TITLE:</b> ELIM Top Hydraulic J-Tube BOM	
CHECKED	K.A.	02/09/2022	<b>DWG. NO.:</b> ELIM THRM500LUF-JT-BOM		
UNLESS OTHERWISE SPECIFIED: DIMENSIONS ARE IN INCHES TOLERANCES: FRACTIONAL OR .X = ±.015 .XX = ±.010 .XXX = ±.005			<b>REV</b> P2		
MATERIAL	--		SCALE: 1:16	WEIGHT:	

REV. P1, NOTE: "FRONT OF TRUCK" CHANGED ORIENTATION, 02/14/2022, Z.D.  
REV. P2, REVISED J TUBE PART # ETS-050-001-J ADDED, 1/9/2023 K.A.