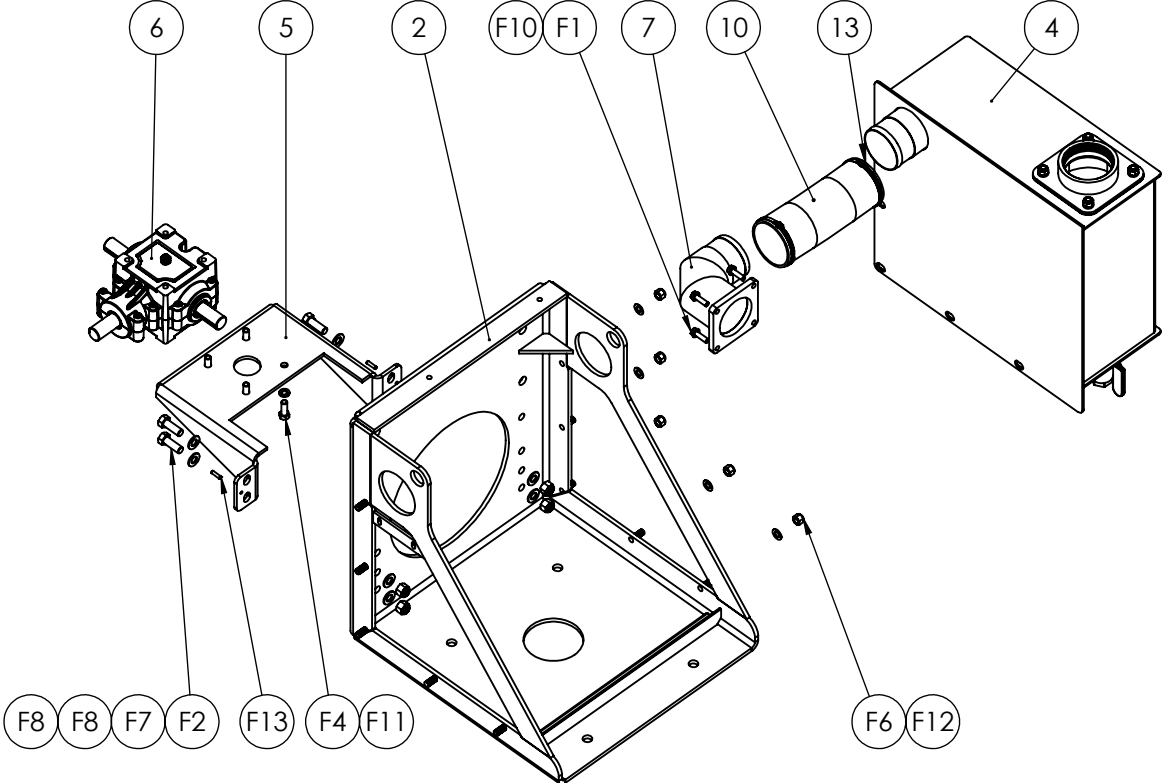


ITEM #	PART #	DESCRIPTION	QTY.
2	RF870-SC	Pedestal Frame	1
4	RF870-M14	Muffler	1
5	ADM14	Angle Drive Mount	1
6	RF500-GB400	Right Angle Gear Box	1
7	FL14	4" NPT Elbow Diverter Flange for Elim 870	1
10	ESX-080-412	Rubber Hose - Ø4" x 12" Long - SLR-64	12"
13	MKL-121-SP	Hose Clamp Ø4" Tank Hose (Mikalor M8 113-121)	2
15	RF870-65	Gasket - Diverter Flanges for 870 Pumps	1


Hardware List			
F1	RF500-67A	Hex Bolt - M10 x 1.5mm x 30mm Long - Z.P.	4
F2	HBI-600-170	Hex Bolt - 5/8"-11 NC x 1-3/4" Long - Z.P.	4
F4	HBI-500-005	Hex Bolt - 1/2"-13 NC x 1-3/8" Long - Z.P.	4
F6	HNI-500-201	Nylock Hex Nuts - 1/2"-13 NC - Z.P.	5
F7	5/8" NUT	Nylock Hex Nuts - 5/8"-11 NC - Z.P.	4
F8	5/8" F/W-SAE	Flat Washer, SAE (Small) - 5/8" - Z.P.	12
F10	RF120-94A	Lock Washer - 10mm - Z.P.	4
F11	1/2" L/W	Lock Washer - 1/2" - Z.P.	4
F12	1/2" F/W-SAE	Flat Washer, SAE (Small) - 1/2" - Z.P.	5
F13	1/4" X 1" LG SPLIT PIN	Split Pin - 1/4" x 1" Long	2



ELIMINATOR A PACKAGE
 FOR 870 PUMPS
 WITH GEAR BOX & MOUNT
 AND MUFFLER

PART # ELIM870-A-M

NOTES:
 1. ALL FASTENERS TO BE SUPPLIED.
 2. WEIGHT AS SHOWN - 298 LBS

NAME	DATE	 324 Leaside Avenue Stoney Creek, Ontario, CANADA L8E 2N7 Phone: (905) 662-6552 Fax: (905) 662-9875
CREATED	Z.D. 03/26/2015	
CHECKED	K.A. 03/26/2015	TITLE:
		ELIM870-A-M BOM
UNLESS OTHERWISE SPECIFIED: DIMENSIONS ARE IN INCHES TOLERANCES: FRACTIONAL OR .X = ±.015 .XX = ±.010 .XXX = ±.005		DWG. NO.
		ELIM870-A-M
MATERIAL		SCALE: 1:12
		WEIGHT:--
		REV
		1

PROPRIETARY AND CONFIDENTIAL
 THE INFORMATION CONTAINED IN THIS DRAWING IS THE SOLE PROPERTY OF FRUITLAND MANUFACTURING. ANY REPRODUCTION IN PART OR AS A WHOLE WITHOUT THE WRITTEN PERMISSION OF FRUITLAND MFG. IS PROHIBITED.