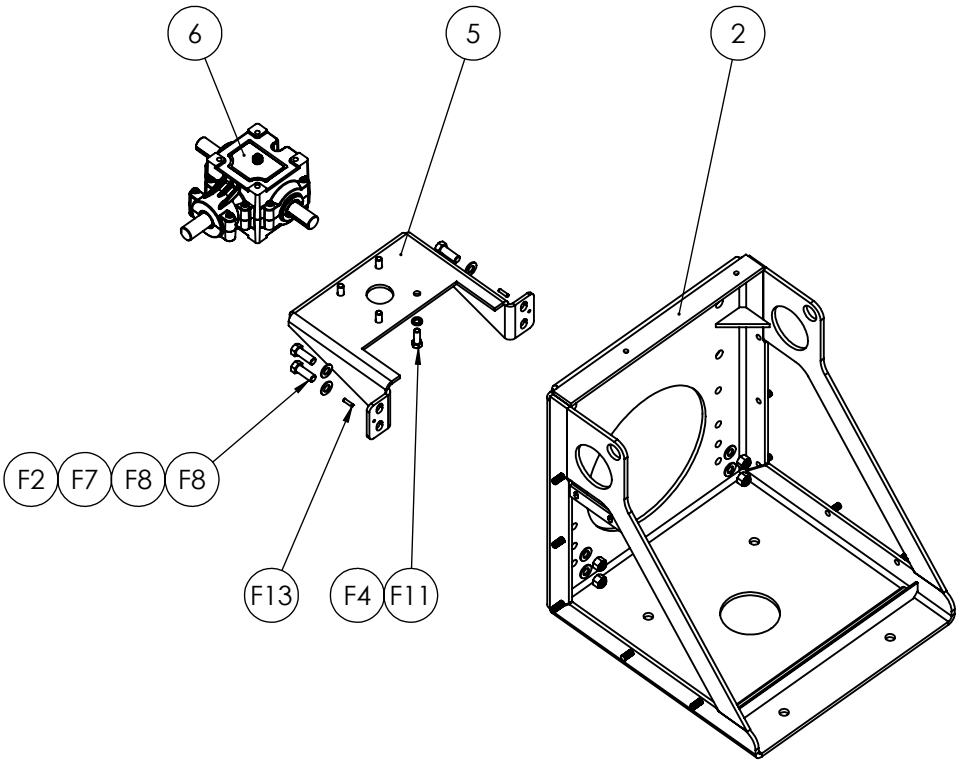


ITEM #	PART #	DESCRIPTION	QTY.
2	RF870-SC	Pedestal Frame	1
5	ADM14	Angle Drive Mount	1
6	RF500-GB400	Right Angle Gear Box	1
HARDWARE LIST			
F2	HBI-600-170	Hex Bolt - 5/8"-11 NC x 1-3/4" Long - Z.P.	4
F4	HBI-500-005	Hex Bolt - 1/2"-13 NC x 1-3/8" Long - Z.P.	4
F7	5/8" NUT	Nylock Hex Nut - 5/8"-11 NC - Z.P.	4
F8	5/8" F/W-SAE	Flat Washer, SAE (Small) - 5/8" - Z.P.	8
F11	1/2" L/W	Lock Washer - 1/2" - Z.P.	4
F13	1/4" X 1" LG SPLIT PIN	1/4" x 1" LG Split Pin	2




ELIMINATOR A PACKAGE
FOR 870 PUMPS
WITH GEAR BOX & MOUNT

PART # ELIM870-A

NOTES:
1. ALL FASTENERS TO BE SUPPLIED
2. WEIGHT AS SHOWN: 195 LBS

PROPRIETARY AND CONFIDENTIAL
THE INFORMATION CONTAINED IN THIS DRAWING IS THE SOLE PROPERTY OF **FRUITLAND MANUFACTURING**. ANY REPRODUCTION IN PART OR AS A WHOLE WITHOUT THE WRITTEN PERMISSION OF FRUITLAND MFG. IS PROHIBITED.

	NAME	DATE	 324 Leaside Avenue Stoney Creek, Ontario, CANADA L8E 2N7 Phone: (905) 662-6552 Fax: (905) 662 9875
CREATED	Z.D.	03/26/2015	
CHECKED	K.A.	03/26/2015	
TITLE:			ELIM870-A BOM
UNLESS OTHERWISE SPECIFIED: DIMENSIONS ARE IN INCHES TOLERANCES: FRACTIONAL OR .X = ±.015 .XX = ±.010 .XXX = ±.005			DWG. NO. ELIM870-A
MATERIAL			SCALE: 1:12
			WEIGHT:--
			REV 1