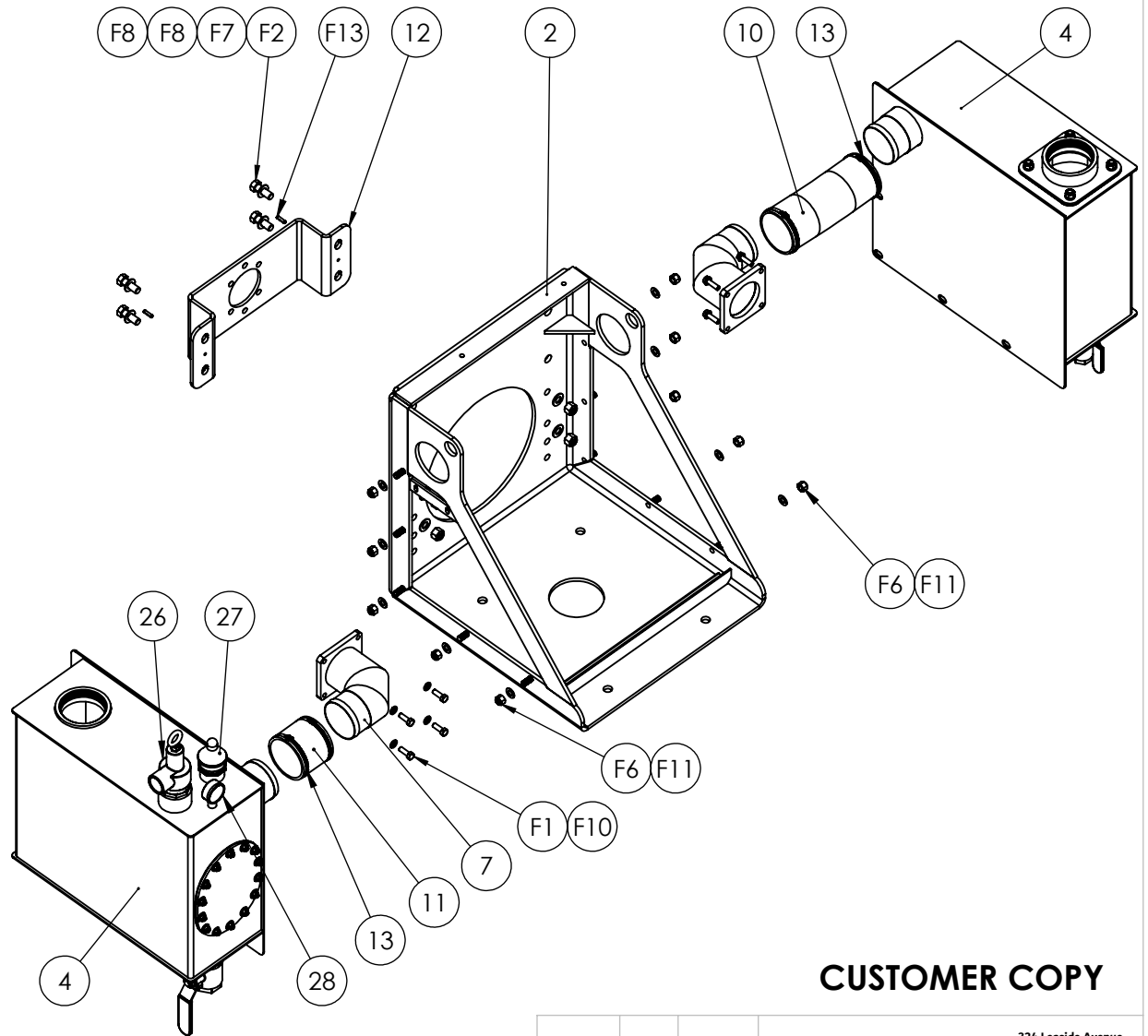


ITEM #	PART #	DESCRIPTION	QTY.
2	RF870-SC	Pedestal Frame	1
3	RF870-S14	S14 Secondary Shut-Off	1
4	M14	M14 Muffler	1
7	FL14	4" NPT Elbow Diverter Flange for Elim 870	2
10	ESX-080-412	Rubber Hose - Ø4" x 12" Long - SLR-64	12"
11	ESX-080-404	Rubber Hose - Ø4" x 4-3/8" Long - SLR-64	4-3/8"
12	HDM14	Hydraulic Motor Mount	1
13	MKL-121-SP	Hose Clamp Ø 4" Tank Hose (Mikalor M8 113-121)	4
15	RF870-65	Gasket - Diverter Flange for 870 Pumps	2
26	PRV-2"	Pressure Relief Valve - 2" NPT	1
27	VB	Vacuum Relief Valve - 1-1/2" NPT	1
28	PVG-2.5	Compound Pressure-Vacuum Gauge - 30 PSI - 30 VAC - 1/4" NPT	1
Hex Bolts			
F1	RF500-67A	Hex Bolt - M10x1.5x30mm Long - Z.P.	8
F2	HBI-600-170	Hex Bolt - 5/8"-11 NC x 1-3/4" Long - Z.P.	4
Hex Nuts			
F6	HNI-500-201	Nylock Hex Nuts - 1/2"-13 NC - Z.P.	10
F7	5/8" NUT	Nylock Hex Nuts - 5/8"-11 NC - Z.P.	4
Flat Washers			
F8	5/8" F/W-SAE	Flat Washer, SAE (Small) - 5/8" - Z.P.	8
F10	RF120-94A	Lock Washer - 10mm - Z.P.	8
F11	1/2" F/W-SAE	Flat Washer, SAE (Small) - 1/2" - Z.P.	10
Spring Pins			
F13	1/4" X 1" LG SPLIT PIN	Split Pin - 1/4" x 1" Long	2



ELIMINATOR H PACKAGE
FOR 870 PUMPS
WITH HYDRAULIC MOTOR MOUNT,
MUFFLER & SECONDARY SHUT-OFF

PART # ELIM870-H-SM

NOTES:
1. ALL FASTENERS TO BE SUPPLIED.
2. WEIGHT AS SHOWN: 369 LBS

CUSTOMER COPY

NAME	DATE		<small>324 Leaside Avenue Stoney Creek, Ontario, CANADA L8E 2N7 Phone: (905) 662-6552 Fax: (905) 662-9875</small>	
CREATED	Z.D. 03/26/2015		TITLE:	ELIM870-H-SM BOM
CHECKED	K.A. 03/26/2015	DWG. NO.	ELIM870-H-SM	REV 1
UNLESS OTHERWISE SPECIFIED: DIMENSIONS ARE IN INCHES TOLERANCES: FRACTIONAL OR .X = ±.015 .XX = ±.010 .XXX = ±.005		MATERIAL	--	SCALE: 1:12 WEIGHT:--

PROPRIETARY AND CONFIDENTIAL
THE INFORMATION CONTAINED IN THIS DRAWING IS THE SOLE PROPERTY OF FRUITLAND MANUFACTURING. ANY REPRODUCTION IN PART OR AS A WHOLE WITHOUT THE WRITTEN PERMISSION OF FRUITLAND MFG. IS PROHIBITED.